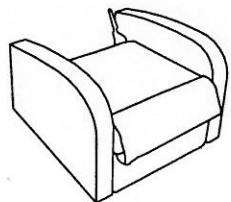


# ASSEMBLY INSTRUCTION

① x1



② x1



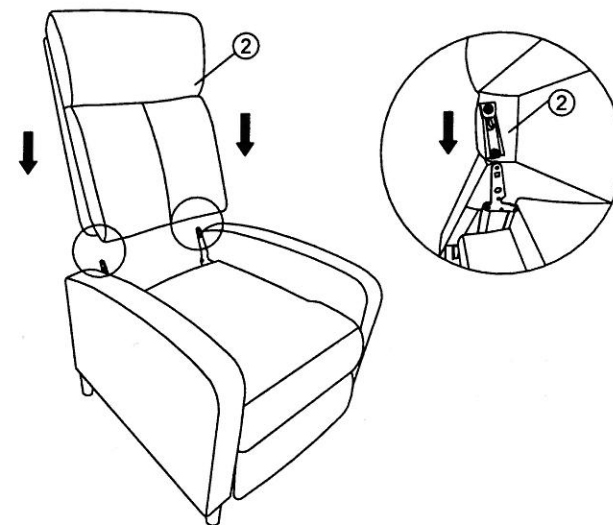
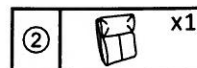
③ x4



④ x4



2



1

