

CONGA

CONGA HYDROSTEAM 3030 ACTIVE



Instruction manual

cecotec

INDEX

1. Parts and components
2. Before use
3. Assembly
4. Operation
5. Cleaning and Maintenance
6. Troubleshooting
7. Technical specifications
8. Disposal of old electrical appliances
9. Technical support and warranty

SAFETY INSTRUCTIONS

Keep this instruction manual for future use.

This product is designed only for household use. Commercial use of this product voids the manufacturer's warranty.

- To avoid risk of fire, electric shock or injury:
- Do not direct steam at people, animals or electrical appliances.
- Do not expose the steam cleaner to rain.
- Keep the steam cleaner indoors.
- Unplug from power when not in use or before performing maintenance or troubleshooting.
- Do not let the steam cleaner under supervision.
- Do not expose hair, loose clothing, fingers or body parts to open or moving parts of the steam cleaner.
- Do not handle the steam cleaner with wet hands.
- Do not use the device when it has been dropped, damaged, left outdoors or immersed in water.
- Never pull the cord, use it for transporting or as a handle, force the cord against sharp edges or corners, or expose it to hot surfaces.
-

- To unplug the device, pull the plug, not the cord.
- Do not use the product in an enclosed space with oil-based paint vapour, paint thinner, some mothproofing substructures, flammable dust or other explosive or toxic vapours.
- Do not use the steam cleaner as a toy.
- Do not use on leather, waxed furniture or polished floors, synthetic fabrics, velvet or other delicate and steam-sensitive materials.
- Do not immerse the appliance.
- Do not use it for heating.
- Do not use it for any purpose other than those described in this manual.
- Use only accessories recommended by the manufacturer. The use of accessories which have not been bought or provided by Cecotec may cause fire, electric shock or injury.
- Never pour detergents, alcoholic, aromatic or descaling products into the steam cleaner, as this could damage the device or make it dangerous to use.
- Pay attention when using it near or with children.
- This device has a polarised plug. To reduce the risk of electric shock, the device has a polarised plug (one blade is wider than the other). This plug can only fit into a polarised socket outlet in one way. If the plug does not fit completely into the socket, turn the plug around. If it still does not fit, contact a qualified electrician to install a suitable plug. Do not modify the plug.

1. PARTS AND COMPONENTS

Fig. 1

1. Steam control button
2. Steam level indicator
3. Low body
4. Mop head
5. Cord hook
6. On/Off switch
7. Filter
8. Power cord
9. Water tank: 330 ml
10. Water measuring cup
11. Mop pad
12. Sliding carpet
13. Cord hook
14. Metal tube
15. Water inlet

2. BEFORE USE

- Take the product out of the box and remove all packaging materials.
- Check carefully if there is any damage. If any is observed, contact as soon as possible the Technical Support Service of Cecotec for advice or reparation.

3. ASSEMBLY

- The steam cleaner assembly is quick and easy, in 3 steps.
- It contains the following parts.

Fig. 2

1. Handle
2. Low body
3. Mop head
4. Water tank: 330 ml
5. Mop pad

Assembly steps:

1. Place the mop head in the low body by assembling it in place.
2. Install the metal tube in the low body until it is assembled in the correct place.

ENGLISH

3. Install the dust tank to the body.
4. The steam cleaner assembly is done.

4. OPERATION

330 ml removable water tank

The water tank is in the low body. It is recommended to use distilled or demineralised water instead of tap water. Otherwise, lime deposits may form. Fig. 3

Note:

- Turn the steam cleaner off when removing the water tank.
- Fill the water tank with the water measuring cup.
- Do not use chemical products on the water tank of the steam cleaner.
- It is recommended to remove lime at least once a month.

Steam level control

- The steam level indicator will stop flashing when the steam cleaner is ready to be used.
- Next, press the steam level button to choose the desired steam level.

Fig. 4

Steam control button

Steam level indicator

On/Off switch

Note:

Press the On button and then the steam control button.

Take into account that, when pressing the steam level button for the first time, steam will be in the maximum level. Set the desired level by pressing the steam control button.

Reusable mop cloths

The reusable mop cloths are machine-washable and suitable for use on virtually all hard floor surfaces. Your steam cleaner includes two pads. The grey and white striped pads are used for scrubbing heavily soiled floors and cleaning stubborn debris. Fig. 5

Mop pad

Steam cleaner preparation

Fig. 6

1. Place the pad on the mop head. Make sure that the quick release tab is behind.
 - a. Fill the water tank.
 - b. Press the buttons on both sides of the tank to remove it.
 - c. Remove the rubber plug from the back of the tank.
 - d. Fill the water tank and place the rubber plug again. For better results, water

must be in room temperature.

2. Place the water tank again in the low body and carefully slide it in place.
3. Remove the power cord and introduce it in a 120 V power socket.
4. The indicator light will turn on when the steam cleaner is ready to be used. Press the steam level button to choose the desired steam level.

Note

After the first use or after filling the water tank, the pump can produce a sound. This is normal and it should last at least some seconds.

Before cleaning

Sweep or vacuum the floor thoroughly before cleaning with the steam cleaner.

Hard floors cleaning

Your steam cleaner is designed to clean hard floors, like ceramic tile, vinyl, laminate, marble, stone and sealed hardwood floors. The use of the steam cleaner on waxed or unwaxed floors may result in a decrease in gloss. You must use the steam cleaner first in an inconspicuous area. Check the care instructions of the manufacturer of your floor.

1. Connect the unit and wait for 30 seconds for it to heat up. Choose the steam level to clean the floor: Low (delicate floors), Medium (regular cleaning) and High (resistant or sticky floors). Start cleaning by sliding the unit carefully over the floor surface. Fig. 7

Note

Press the On button and then the steam control button. Take into account that, when pressing the steam level button for the first time, steam will be in the maximum level. Set the desired level by pressing the steam control button.

2. To turn off the steam cleaner, press the steam level button until the blue light on the button is on.
3. When the steam cleaner stops emitting steam, unplug the unit. Remove the water tank, refill it and continue cleaning.

Note

Make sure to disinfect the floor, use a microfibre cloth and rub the floor back and forth at least three times with continuous steam. For better results, remove the pad and wash it after cleaning.

Sliding carpet

This accessory is installed in the mop head to allow the device to slide over carpets while cleaning them. Fig. 8

Note

- Make sure the sliding carpet is properly assembled in the mop head. If it is not in the correct position, the sliding carpet will fall during the use of the steam cleaner.
- Move the steam cleaner continuously until it is finished. Do not leave the steam cleaner in a steady position.

5. CLEANING AND MAINTENANCE

- Disconnect the power cord from the plug.
- Carefully remove the pad from the mop head. The pad can be hot.
- The remaining water in the water tank must be emptied before storing the device.
- The pad is machine-washable with hot water. Use only liquid detergents. For better results, do not use softeners nor bleach. Allow the mop to dry.
- Wind the power cord in the hook in the back of the steam cleaner.
- Clean every steam cleaner surface with a soft cloth. Store the device in a protected and dry area vertically.
- It is recommended to remove calcium in the water tank at least once a month, as well as using a descaling agent for steam cleaners.

6. TROUBLESHOOTING

Warning:

To reduce the risk of electric shock, turn off the device and unplug it before carrying out any maintenance or troubleshooting tasks.

Common problems

Problem	Possible cause	Solution
Poor or no steam	Water tank empty	Turn off the steam cleaner and fill the water tank
	Steam level not selected	Select the steam level with the button.
Water leakage	Loose rubber plug	Turn the steam cleaner and remove the water tank. Tighten the rubber.
Difficult use on carpets	Sliding carpet not installed	Make sure the sliding carpet is properly assembled in the mop head.

Rust in the water tank	The tank has not been emptied	The remaining water in the water tank must be emptied before storing the device.
You cannot control the steam level	The steam cleaner is off	Press the On button and then the steam control button.
The mop gets very wet	Inadequate steam level	Set a lower steam level.
It stops working	Misuse or problem with the product	Contact Customer Service:

FAQs

Question	Answer
Are the cleaning cloths washable and reusable?	Yes, the micro-fibre cleaning cloths are machine-washable. Use only liquid detergents. For better results, do not use softeners nor bleach. Allow the mop to dry.
On which floors can I use the steam cleaner?	Your steam cleaner is designed to clean hard floors, like ceramic tile, vinyl, laminate, marble, stone and sealed hardwood floors. The use of the steam cleaner on waxed or unwaxed floors may result in a decrease in gloss.
Do I need to activate the handle for it to release steam or is it automatic?	The steam cleaner releases steam automatically when you select the steam level. You can select the steam level by pressing the steam level button to clean the floor: Low (delicate floors), Medium (regular cleaning) and High (resistant or sticky floors).
Can I use a cleaning solution with the steam cleaner or should I just use water?	You cannot use cleaning solutions with the steam cleaner. It is recommended to use only distilled water to increase the steam cleaner lifespan.

7. TECHNICAL SPECIFICATIONS

Product: Conga HydroSteam 3030 Active

Model: 03250

1500W, 220-240V ~, 50-60Hz

IP X4

Made in China | Designed in Spain

8. DISPOSAL OF OLD ELECTRICAL APPLIANCES



The European directive 2012/19/EU on Waste Electrical and Electronic Equipment (WEEE) specifies that old household electrical appliances must not be disposed of with the normal unsorted municipal waste. Old appliances must be collected separately, in order to optimise the recovery and recycling of the materials they contain and reduce the impact on human health and the environment.

The crossed out "wheeled bin" symbol on the product reminds you of your obligation to dispose of the appliance correctly.

Consumers must contact their local authorities or retailer for information concerning the correct disposal of old appliances and/or their batteries.

9. TECHNICAL SUPPORT AND WARRANTY

This product is under warranty for 2 years from the date of purchase, as long as the proof of purchase is submitted, the product is in perfect physical condition, and it has been given proper use, as explained in this instruction manual.

The warranty will not cover the following situations:

The product has been used for purposes other than those intended for it, misused, beaten, exposed to moisture, immersed in liquid or corrosive substances, as well as any other fault attributable to the customer.

The product has been disassembled, modified, or repaired by persons, not authorised by the Cecotec official Technical Support Service.

Faults deriving from the normal wear and tear of its parts, due to use.

The warranty service covers every manufacturing defect of your appliance for 2 years, based on current legislation, except consumable parts. In the event of misuse, the warranty will not apply.

If at any moment you detect any problem with your product or have any doubt, do not hesitate to contact Cecotec official Technical Support Service at +34 963 210 728.

Fig./Img./Abb./Afb./ Rys. 1

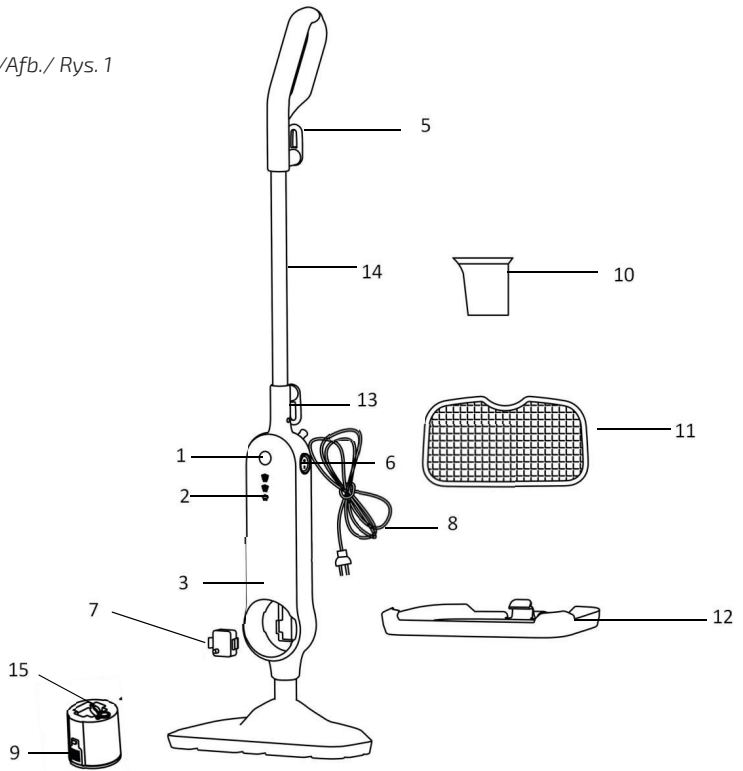


Fig./Img./Abb./Afb./ Rys. 2

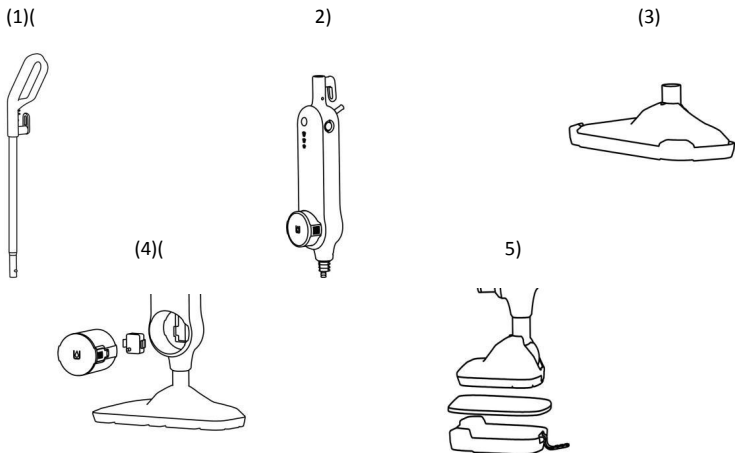


Fig./Img./Abb./Afb./ Rys. 3

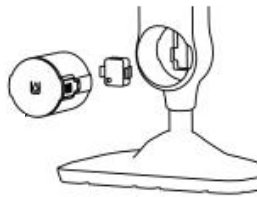


Fig./Img./Abb./Afb./ Rys. 4

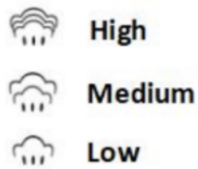
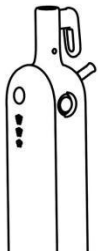


Fig./Img./Abb./Afb./ Rys. 5

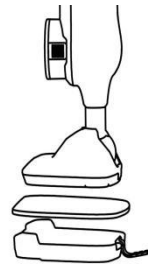
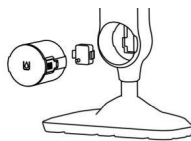


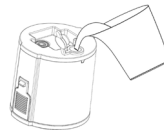
Fig./Img./Abb./Afb./ Rys. 6



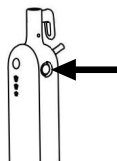
Step 1



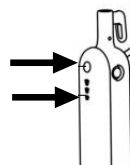
Step 2a&c



Step 2b



Step 3a



Step 3b

www.cecotec.es

Cecotec Innovaciones S.L.
C/ de la Pinadeta s/n, 46930
Quart de Poblet, Valencia (Spain)

JM01210816