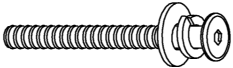



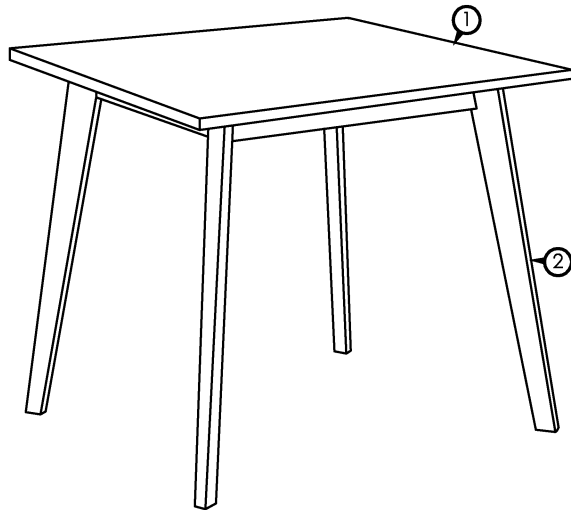
ASSEMBLY INSTRUCTIONS

MODEL : 097-00001

IMPORTANT NOTE :

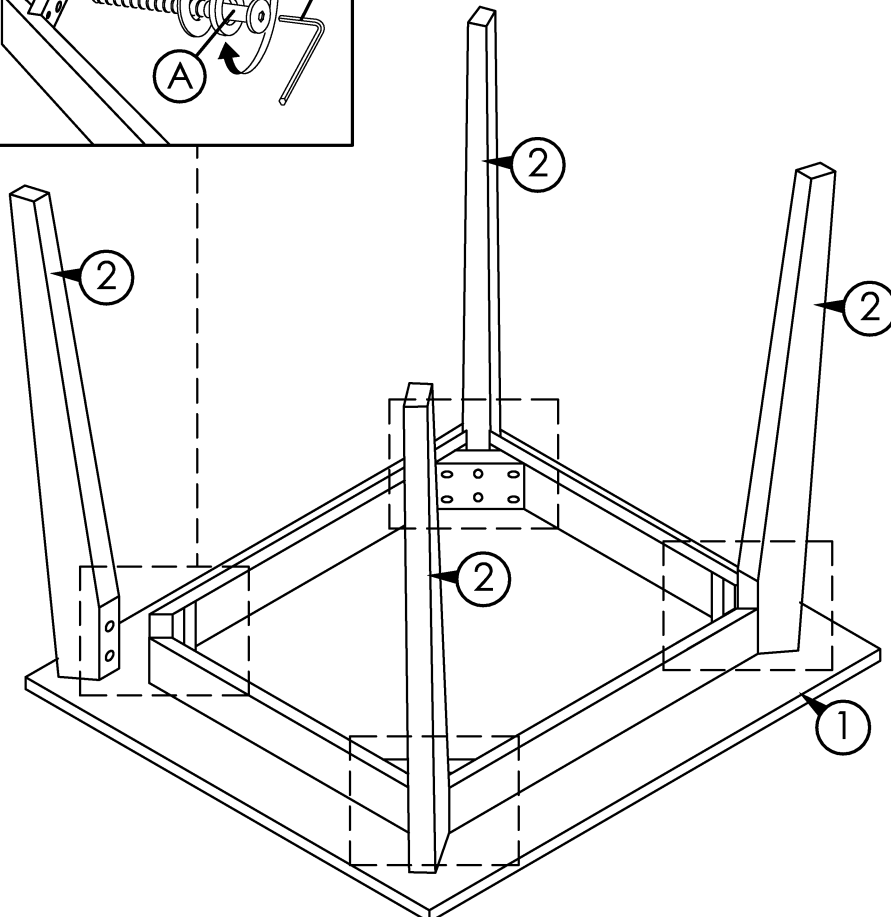
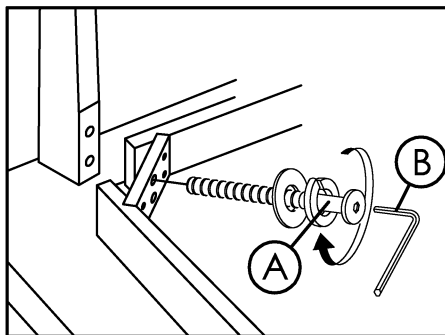
- * PLACE ALL WOODEN PARTS ON A CLEAN AND SMOOTH SURFACE SUCH AS A RUG OR CARPET TO AVOID THE PARTS FROM BEING SCRATCHED.
- * BEFORE YOU BEGIN, KINDLY FOLLOW THE ASSEMBLY INSTRUCTIONS STEP BY STEP.

HARDWARE LIST			
A	JCBB M8 x 80mm + S/W 5/16" + F/W 5/16" x 22mm		8PCS
B	ALLEN KEY M5		1PC



COMPLETED TABLE ASSEMBLY.

PART LIST		
1	TABLE TOP	1PC
2	TABLE LEG	4PCS



ASSEMBLY INSTRUCTIONS

MODEL : 097-000011

IMPORTANT NOTE :

- * PLACE ALL WOODEN PARTS ON A CLEAN AND SMOOTH SURFACE SUCH AS A RUG OR CARPET TO AVOID THE PARTS FROM BEING SCRATCHED.
- * BEFORE YOU BEGIN, KINDLY FOLLOW THE ASSEMBLY INSTRUCTIONS STEP BY STEP.
- * DO NOT TIGHTEN ALL SCREWS UNTIL THE CHAIR IS FULLY SET-UP.

HARDWARE LIST			PART LIST		
A	JCBC M6 x 25mm + S/W M6 + F/W M6 x 13mm	4PCS	1	LEG L/R	2PCS
	B	JCBC M6 x 55mm + S/W M6 + F/W M6 x 13mm	4PCS	2	TOP REST
C		JCBC W SCREW M7 x 40mm	1PC	3	CHUSION SEAT
	D	FH SCREW #8 x 25mm	16PCS	4	CORNER BLOCK (LONG)
E		ALLEN KEY M4	1PC	5	CORNER BLOCK (SHORT)

CAUTIONS :

(1) **DO NOT FULLY-TIGHTEN THE NUT OR NUT BOLTS INITIALLY UNTIL ALL NUTS OR BOLT IS READY ASSEMBLED.**

(TO AVOID CAUSING DAMAGES TO THE THREAD, DO NOT OVER-TIGHTEN THE NUTS OR BOLTS.)

(2) **KEEP ALL HARDWARE PART OUT OF REACH OF CHILDREN.**

HARDWARE LIST		
A	JCBC M6 x 25mm + S/W M6 + F/W M6 x 13mm	4PCS
B	JCBC M6 x 55mm + S/W M6 + F/W M6 x 13mm	4PCS
C	JCBC W SCREW M7 x 40mm	1PC
D	FH SCREW #8 x 25mm	16PCS
E	ALLEN KEY M4	1PC

