

# Shake 'N TAKE<sup>®</sup>

SPORTS BOTTLE BLENDER



SNT070914/R2



Shake 'N Take<sup>®</sup> Use and Care Manual

# SHAKE 'N TAKE® USE AND CARE MANUAL

## IMPORTANT SAFEGUARDS

**Read all instructions before using.**

**The following basic safety precautions should always be followed:**

**BLADES ARE EXTREMELY SHARP. HANDLE CAREFULLY.**

To protect against fire, electric shock, and injury to persons, do not immerse cord, plugs, or the motor base in water, or any liquid.

This appliance is not a toy, and should not be used by or near children.

Unplug appliance when not in use and before cleaning.

The use of accessory attachments not supplied by the appliance manufacturer may result in fire, electric shock, or injury to persons.

Do not use outdoors.

Do not use this appliance for other than intended purpose.

Avoid contact with moving parts.

Do not operate Shake 'N Take® with a damaged cord or after the appliance malfunctions or is dropped or damaged in any manner. Return it to the nearest authorized service facility for examination, repair or electrical or mechanical adjustment.

The use of attachments not recommended or sold by the manufacturer may cause fire, electric shock or injury.

Do not let the cord hang off the edge of a table or counter, or touch hot surfaces, including the stove. Do not use an extension cord with this unit.

Do not blend hot liquids.

This appliance has a polarized plug (one blade is wider than the other). To reduce the risk of electric shock, this plug will fit into a polarized outlet only one way. If the plug does not fit fully in the outlet, reverse the plug. If it still does not fit, contact a qualified technician. Do not modify the plug in any way.

Make sure the motor and blade have completely stopped before removing the sports bottle lid. If the machine does not stop, unplug immediately and discontinue further use. Call the Ideal Products, LLC Customer Service Center at 1.866.342.7809 for assistance.

Always operate the Shake 'N Take® sports bottle blender with the sports bottle lid in place. Be sure the sports bottle lid is securely locked in place before operating appliance. Never remove the sports bottle lid while the Shake 'N Take® sports bottle blender is in use.

## SAVE THESE INSTRUCTIONS

## WARNING

To reduce the risk of fire or electric shock, do not disassemble appliance. There are no user-serviceable parts inside.

Make sure that the motor has come to a complete stop before removing the lid or sports bottle from motor base.

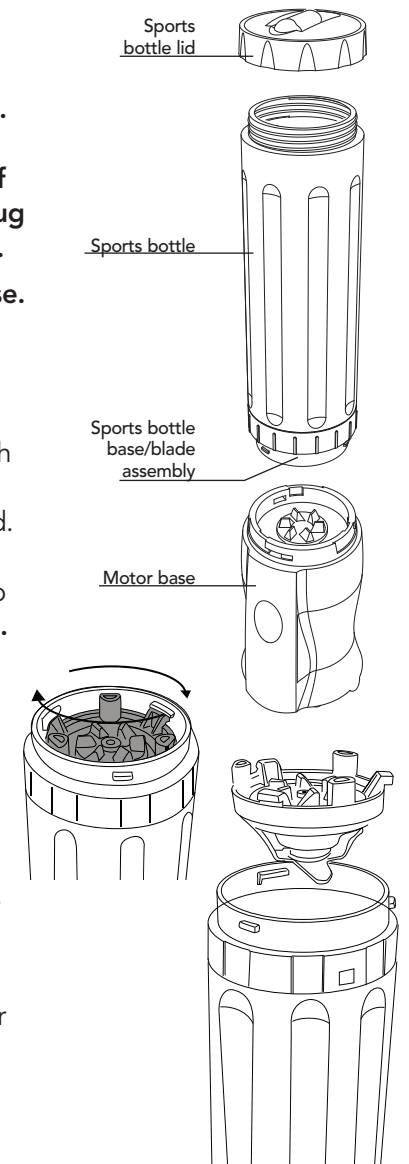
The unit is equipped with an interlock mechanism to prevent the unit from operating without the sports bottle in place. The interlock is a small plastic piece that is pushed down when the sports bottle is screwed into place. **NEVER** attempt to defeat or override the interlock mechanism.

## SET UP INSTRUCTIONS

**This product is intended for household use only. Always unplug the motor base unit from outlet when not in use, before putting on or taking off parts, and before cleaning. To unplug, grasp plug and pull from electrical outlet. NEVER pull cord.**

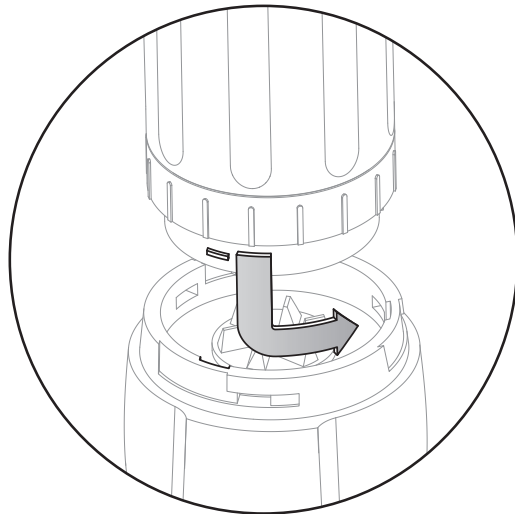
**Please read and follow all instructions before use.**

1. Remove any labels, packaging materials, or literature that may be attached or placed inside containers or the motor base.
2. Hand-wash sports bottle and blade assembly with warm sudsy water, rinse thoroughly, and let dry. **DO NOT IMMERSE** the motor base in any liquid. The blade assembly can be detached from the sports bottle for cleaning by turning clock-wise to release. **USE CAUTION: BLADES ARE SHARP. HANDLE CAREFULLY.**
3. Appliance should only be used on a stable, dry surface.
4. Appliance should be plugged into 120 VAC 60 Hz outlet.
5. The length of the provided cord was selected to reduce the possibility of tangling or tripping. Use of extension cords is **NOT** recommended.
6. **DO NOT use the appliance under these conditions:** the cord/plug is damaged; the motor base is (or has been) immersed in water; the appliance, or any individual part of it, has been dropped or damaged in any way.



## OPERATING INSTRUCTIONS

1. Open sports bottle lid and put ingredients inside sports bottle. Do not overload container. Maximum load is 16 oz. Liquid and solid ingredients combined should never exceed 16 oz marking on sports bottle.
2. Fully tighten sports bottle lid. Do not operate the unit without the sports bottle lid in place. Align sports bottle tab keys to motor base slots. Rotate sports bottle counter-clockwise to lock in place.
3. Plug in unit.
4. Firmly grasp sports bottle with one hand, and motor base with other. Press push button switch to operate. Do not operate switch for longer than 20 seconds at a time to prevent overheating. It is suggested that 3 periods of 20 seconds each in the on position with a 10-second off period of rest in between each of the 3 on periods is usually sufficient.
5. Wait for appliance to come to a complete stop before removing the sports bottle. The sports bottle is removed from the motor base by rotating clock-wise and lifting.
6. Always wait till the unit comes to a complete stop before removing the lid or adding additional ingredients (ice, water, mixes, or fruit).



To order additional Shake'N Take® Sports Bottles, visit us at [www.shakentake.com](http://www.shakentake.com).

## CARE AND CLEANING

1. Always unplug the motor base unit from outlet when not in use, before putting on or taking off parts, and before cleaning. To unplug, grasp plug and pull from electrical outlet. **NEVER** pull cord.
2. Cleaning should always be done soon after each use.
3. Sports bottle should always be removed from motor base for cleaning.
4. Before cleaning sports bottle, empty container of excess liquid or food material.
5. Add a small amount of water in sports bottle and close lid. Place sports bottle into motor base. Align sports bottle tab keys to motor base slots. Rotate sports bottle counter-clockwise to lock in place. Run motor base for short durations (refer to item #4 in previous section, "Operating Instructions" for suggested timing). Repeat as necessary.
6. For stubborn stains, or food particles near the blade assembly, the following steps may be necessary: after removing sports bottle from motor base, carefully insert a small cleaning brush into container. Never insert fingers near blade assembly. **USE CAUTION: BLADES ARE SHARP. HANDLE CAREFULLY.** Small amounts of mild detergent can be used.
7. Never use harsh or abrasive cleansers on the sports bottle, sports bottle lid, or the motor base.
8. To clean the motor base: Make sure the unit is unplugged. Use a damp rag with mild detergent. Never immerse the motor base in water or liquid.
9. The sports bottle should never be stored for long periods of time with liquid. Although the steel blades are stainless, some discoloration may occur with acidic foods and liquids.

## TECHNICAL DATA

### Motor Base:

Power input: 120 VAC 60 Hz

Wattage: 180W

On/Off power switch with safety interlock:

Momentary contact

Weight: 1.5 lbs (684 g)

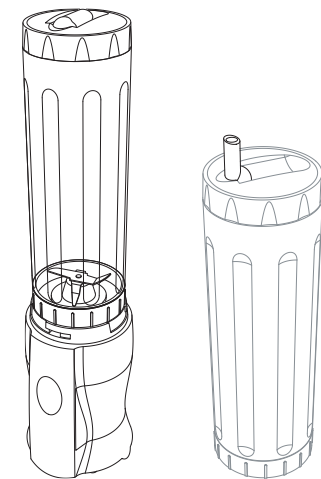
Dimensions: 5.5 inch tall x 4 inch diameter

### Sports Bottle:

Weight: 4.3 oz (123 g)

Dimensions: 9 inch tall x 2.5 inch diameter

Maximum container volume: 16 oz



## ONE YEAR LIMITED WARRANTY

Your Shake 'N Take® sports bottle blender is warranted to be free from defects in materials and workmanship for one year from the original purchase date. Should the product have a defect in materials or workmanship, we will repair or replace it without charge to you (a shipping and processing fee will apply). To obtain service under warranty, simply call our customer service center toll-free at **1.866.342.7809**.

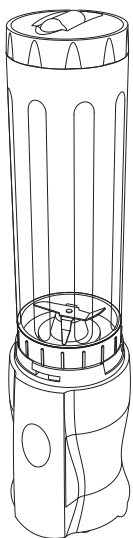
This warranty does not cover damage caused by accident, misuse or any use other than as intended and described in this product manual, or damage resulting from failure to maintain and clean this product as specified in this product manual. This warranty applies only to the original purchaser of the Shake 'N Take® sports bottle blender.

**ALL EXPRESS AND IMPLIED WARRANTIES FOR THIS PRODUCT, INCLUDING IMPLIED WARRANTIES OF MERCHANTABILITY AND FITNESS FOR A PARTICULAR PURPOSE, ARE LIMITED IN DURATION TO THE WARRANTY PERIOD, AND NO WARRANTIES, WHETHER EXPRESS OR IMPLIED, WILL APPLY AFTER THIS PERIOD.**

Some states do not allow limitations on the duration of implied warranties, so the above limitation may not apply to you. While this warranty gives you specific legal rights, you may also have other rights which may vary from state to state.

Contact Info for Warranty Service:

Ideal Products, LLC  
P.O. Box 9169 | Van Nuys, CA | 91409  
1.866.342.7809 | [www.shakentake.com](http://www.shakentake.com)



## ARBITRATION AGREEMENT

**PLEASE READ THIS AGREEMENT CAREFULLY. YOU ACCEPT THE TERMS OF THIS AGREEMENT BY RETAINING THE PRODUCT(S) SHIPPED IN CONNECTION WITH THIS AGREEMENT (THE "PRODUCTS") FOR MORE THAN THIRTY (30) DAYS AFTER RECEIPT. IF YOU DO NOT AGREE TO THE TERMS OF THIS AGREEMENT, YOU MAY RETURN THE PRODUCT TO COMPANY WITHIN THIRTY (30) DAYS OF RECEIPT FOR A FULL REFUND.**

**THIS ARBITRATION AGREEMENT ("AGREEMENT") AFFECTS YOUR LEGAL RIGHTS AND REMEDIES BY PROVIDING THAT DISPUTES BETWEEN YOU AND THE MANUFACTURER, DISTRIBUTOR AND/OR SELLER OF THIS PRODUCT (COLLECTIVELY, "COMPANY"), MUST BE RESOLVED THROUGH BINDING ARBITRATION AND NOT IN COURT. IT ALSO PROVIDES THAT ANY DISPUTE CANNOT BE RESOLVED IN A CLASS ACTION OR OTHER PROCEEDING WHERE YOU REPRESENT OTHER PERSONS OR OTHER PERSONS REPRESENT YOU, AND THAT NO CLASS OR REPRESENTATIVE ARBITRATIONS ARE PERMITTED. PLEASE CAREFULLY READ ALL TERMS IN THIS AGREEMENT.**

### 1. RESOLUTION OF CLAIMS OR DISPUTES.

Any claim or dispute between you and Company (or any of Company's subsidiaries or affiliates) arising out of or relating in any way to the Product or this Agreement shall be resolved through final, binding arbitration. This arbitration obligation is reciprocally binding on both you and the Company and applies regardless of whether the claim or dispute involves a tort, fraud, misrepresentation, product liability, negligence, violation of a statute, or any other legal theory. Both you and Company specifically acknowledge and agree that you waive your right to bring a lawsuit based on such claims or disputes and to have such lawsuit resolved by a judge or jury.

### 2. LIMITATION OF LEGAL REMEDIES.

All arbitrations under this Agreement shall be conducted on an individual (and not a class-wide) basis, and an arbitrator shall have no authority to award class-wide relief. You acknowledge and agree that this Agreement specifically prohibits you and the Company from commencing arbitration proceedings as a representative of others or joining in any arbitration proceedings brought by any other person. The parties agree that no class or representative actions of any type are permitted.

### 3. ARBITRATION PROCEDURES.

a. Before instituting an arbitration, if you have any dispute, we strongly encourage you to contact the Company to try to resolve the matter by calling 800.218.3560, although you are not required to do so. b. The arbitration of any claim or dispute under this Agreement shall be conducted in accordance with the expedited procedures set forth in the JAMS Comprehensive Arbitration Rules and Procedures as those Rules exist on the date you receive the Product, including Rules 16.1 and 16.2 of those Rules. These rules and procedures are available by calling JAMS or by visiting its web site at [www.jamsadr.com](http://www.jamsadr.com). The arbitration of any claim or dispute under this Agreement shall be conducted by an arbitrator who has at least five years of experience conducting arbitrations. c. The arbitration of any claim or dispute under this Agreement shall be conducted in the State of California or the location in which you received this Agreement. For claims of \$10,000 or less, you may choose whether the arbitration proceeds in person, by telephone, or based only on submissions. d. The Company shall pay costs for the arbitration of claims, including any JAMS Case Management Fee and all professional fees for the arbitrator's services. The Company shall pay the fees and costs of its own counsel, experts and witnesses and shall not be able to recoup them from you even if you do not prevail in the arbitration. Unless otherwise provided by law, you acknowledge and agree that you shall pay the fees and costs of your own counsel, experts and witnesses.

### 4. CHOICE OF LAW.

The arbitration provisions of this Agreement and any arbitration conducted pursuant to the terms of this Agreement shall be governed by the Federal Arbitration Act (9 U.S.C. Secs. 1-16). In this respect, the parties acknowledge that this Agreement involves a transaction conducted in interstate commerce. Otherwise, this Agreement and the rights of the parties hereunder shall be governed by and construed in accordance with the laws of the State of California, exclusive of conflict or choice of law rules.

### 5. SEVERABILITY.

If any provision of this Agreement is declared or found to be unlawful, unenforceable or void, such provision will be ineffective only to the extent that it is found unlawful, unenforceable or void, and the remainder of the provision and all other provisions shall remain fully enforceable.