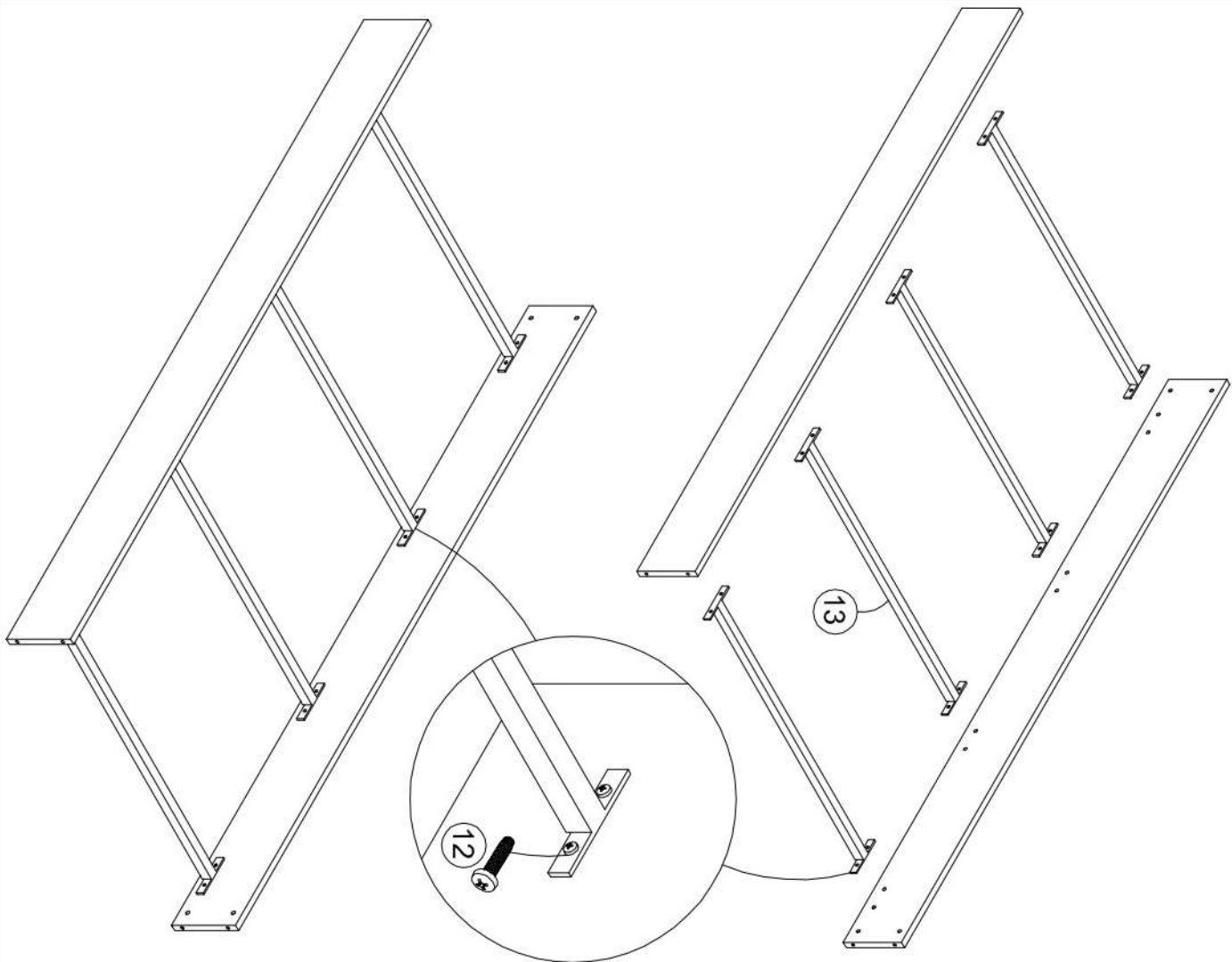
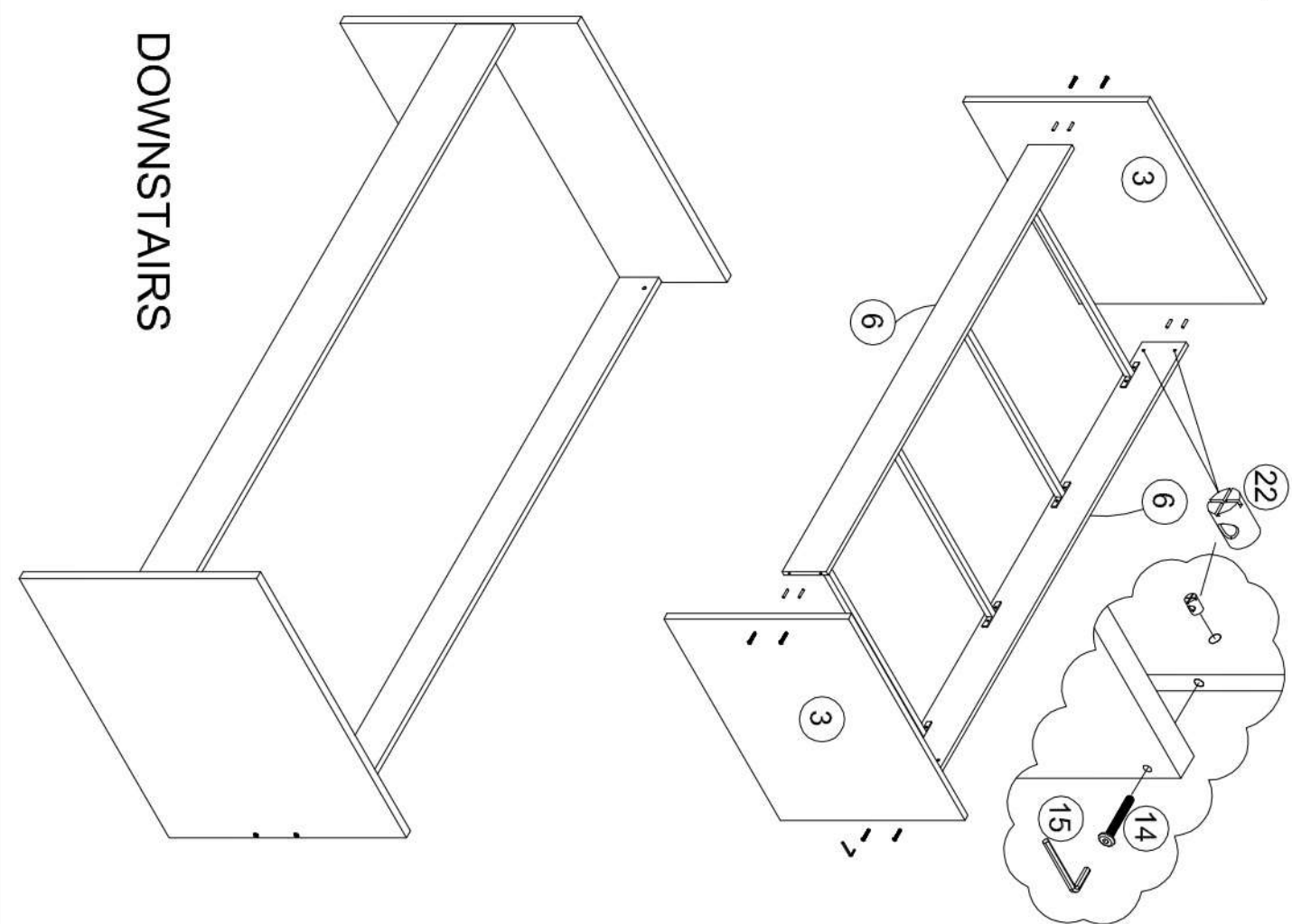


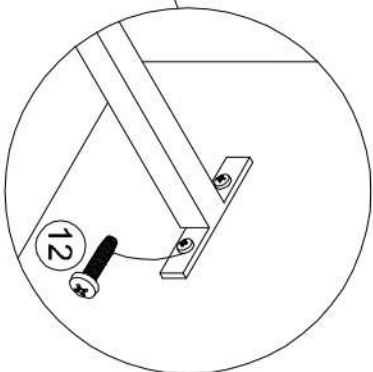
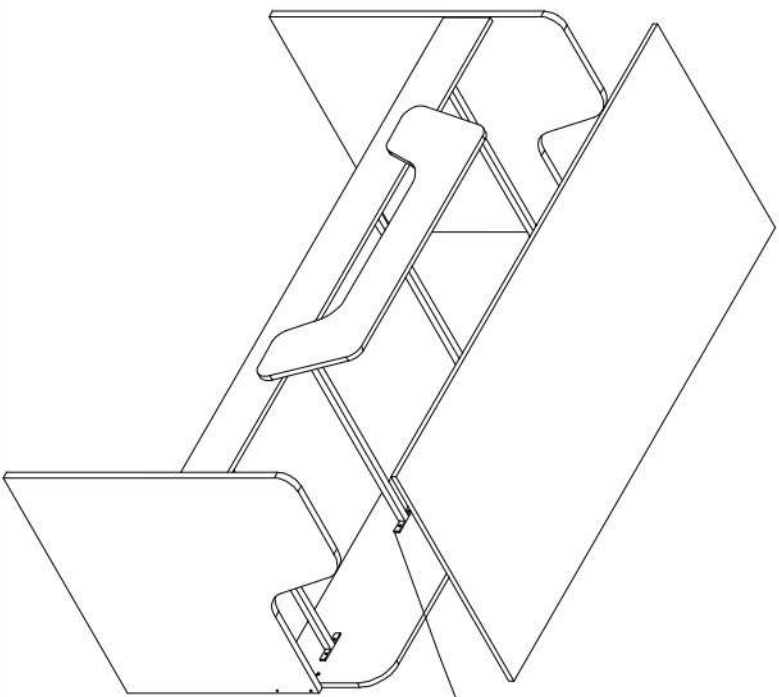
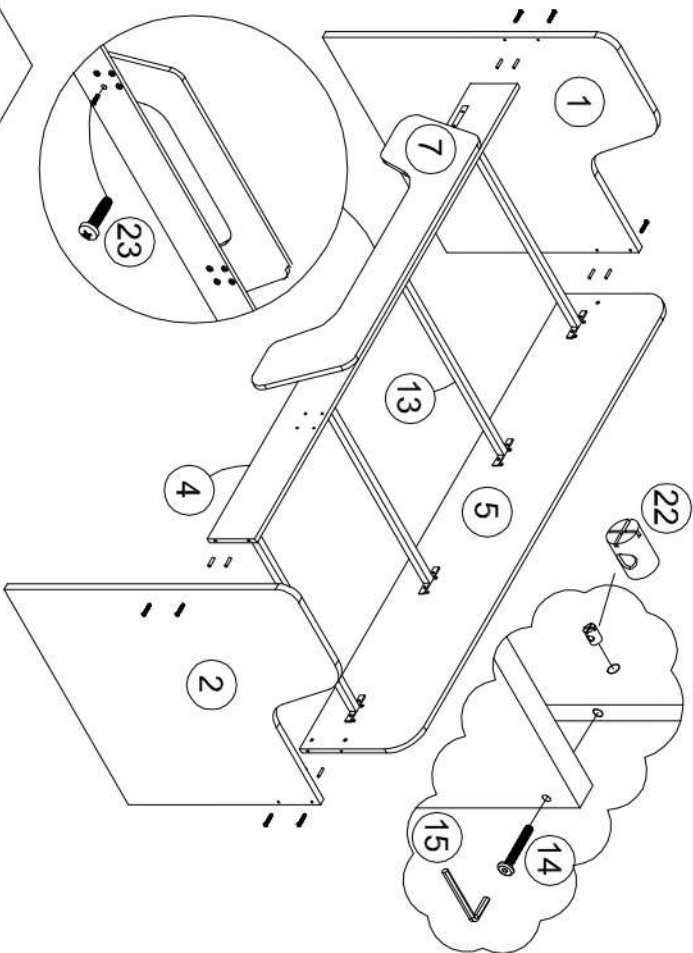
1



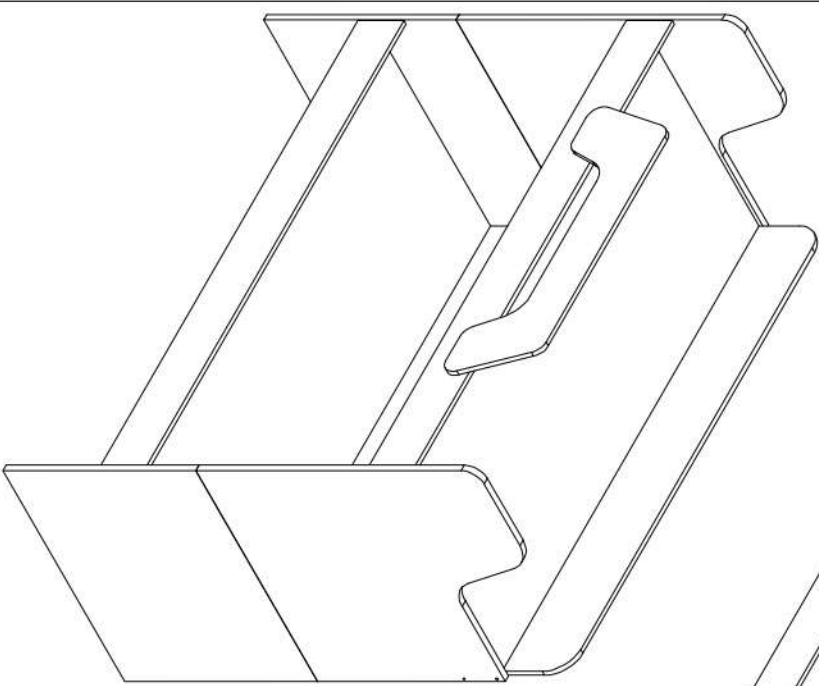
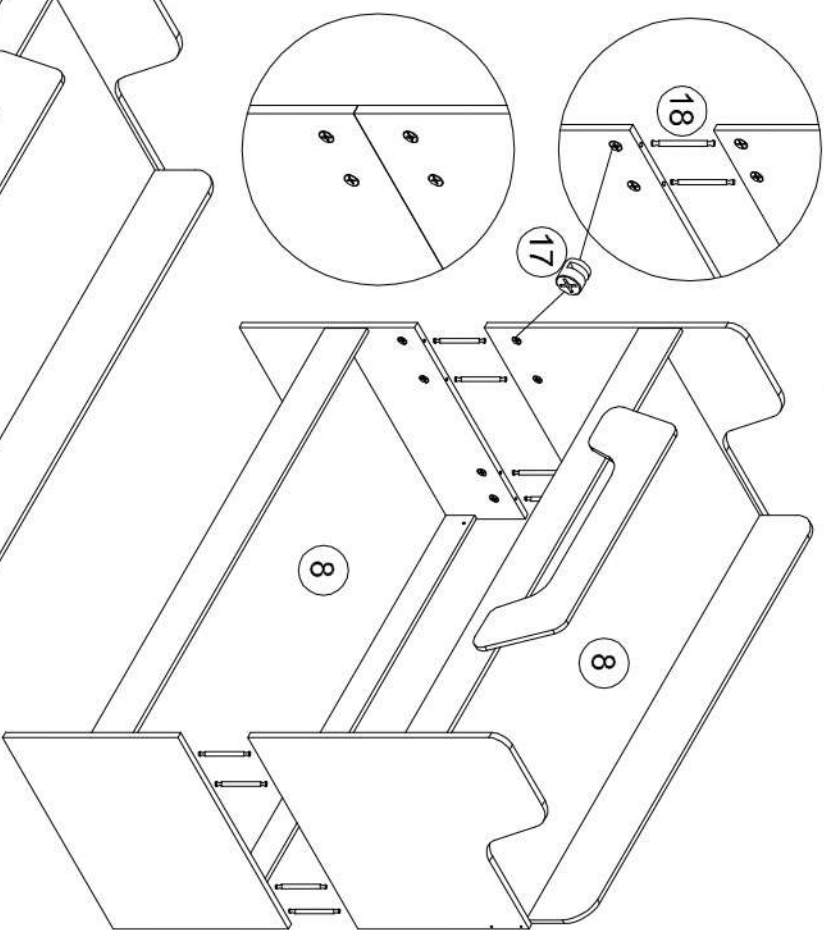
2



3

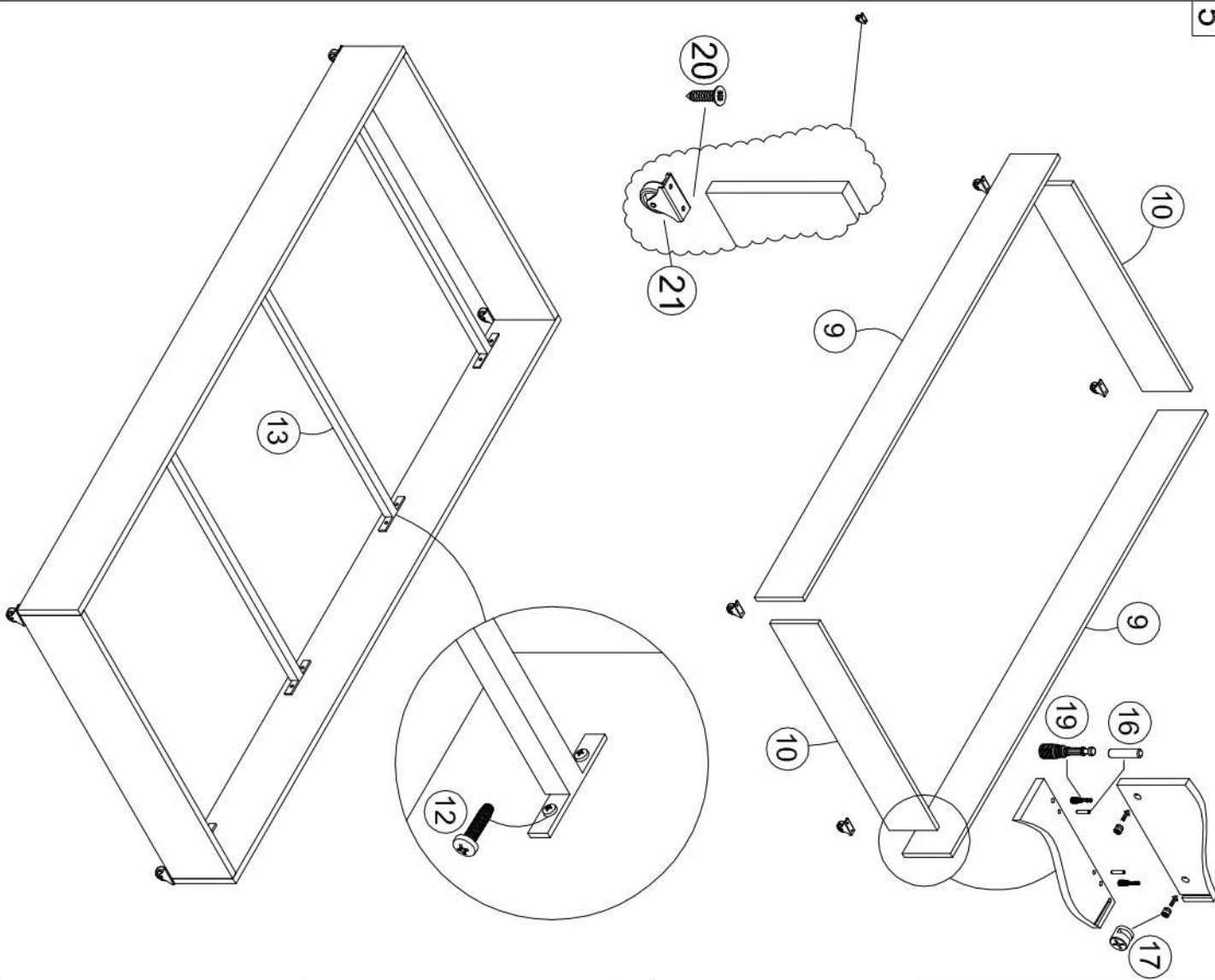


4

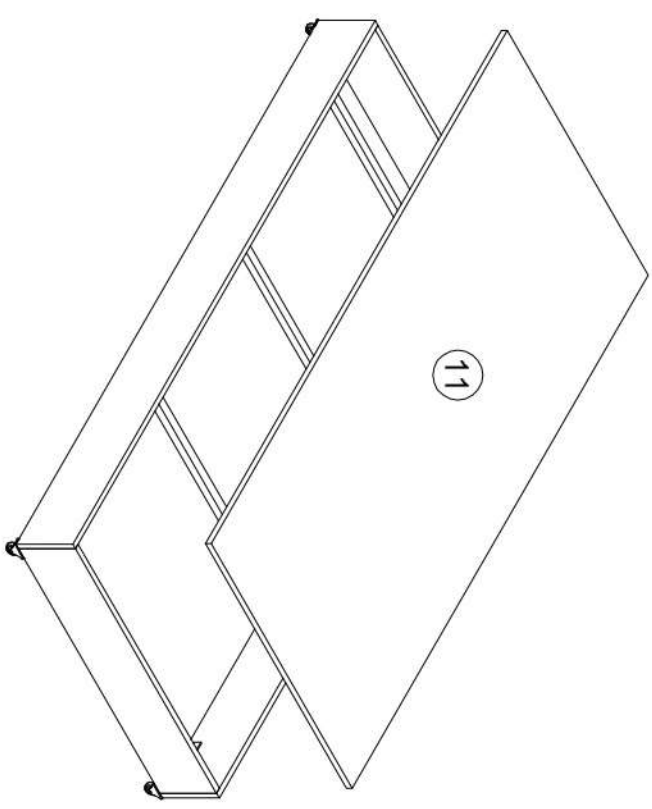


UPSTAIRS

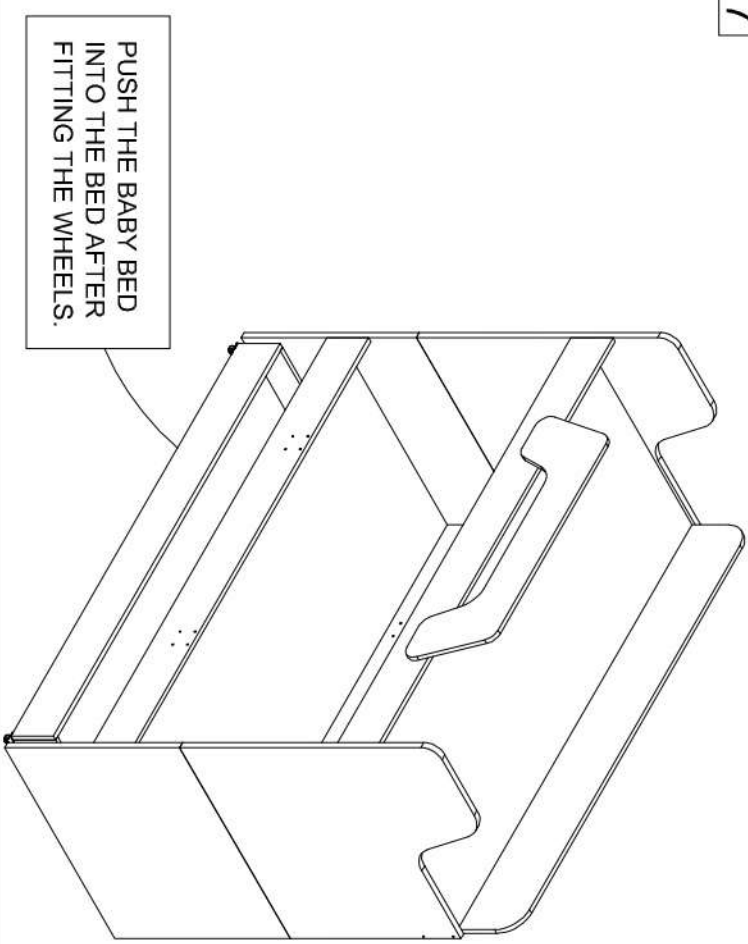
5



6



7

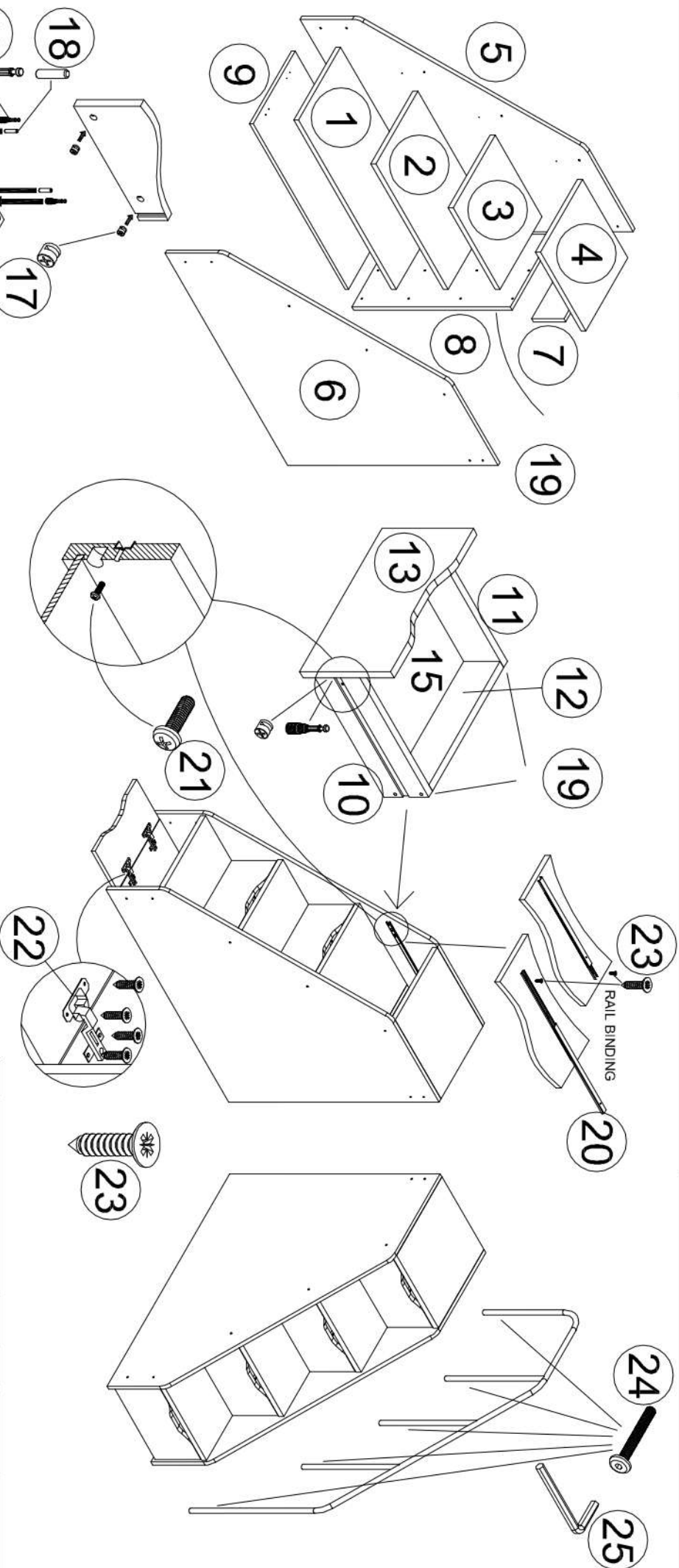


PUSH THE BABY BED INTO THE BED AFTER FITTING THE WHEELS.

S.NO	TRACK NAME	COLOUR	QTY	THICKNESS	MEASUREMENT
1	CARRIER FEET UPPER LEFT	ULUDAĞ	1	25	950*907
2	CARRIER FEET UPPER RIGHT	ULUDAĞ	1	25	950*907
3	CARRIER FEET BOTTOM	ULUDAĞ	2	25	950*753
4	UPPER SIDE ARM	ULUDAĞ	1	18	2010*180
5	UPPER REAR WIDE ARM	ULUDAĞ	1	18	2010*425
6	LOWER SIDE ARM	ULUDAĞ	2	18	2010*180
7	PROTECTION PART	KUM BEJİ	1	18	1200*350
8	UNDERBED CHIPBOARD	CRUDE	2	18	2005*910
9	BED SIDE SUPPORT	ULUDAĞ	2	18	1950*183
10	KITT BED RIGHT-LEFT	ULUDAĞ	2	18	910*183
11	KITTEN BED UNDER BED	CRUDE	1	18	1910*910

MATERIAL PRODUCT LIST

POZ NO	PRODUCT NAME	AMOUNT
12	M6*15 YSB BOLT	48 PIECE
13	BED BAR	12 PIECE
14	M6*70 PULL BOLT	16 PIECE
15	4 ALLEN KEY	1 PIECE
16	DOWEL	22 PIECE
17	MINIFIX HEAD	8 PIECE
18	DOUBLE SIDED MIN. SHAFT	8 PIECE
19	MINIFIX BODY	8 PIECE
20	3,5*18 SCREW	8 PIECE
21	WHEEL	4 PIECE
22	CYLINDER NUT	16 PIECE
23	M6*25 YSB BOLT	8 PIECE



MATERIAL /PRODUCT LIST

POZ NO	MATERIAL NAME	AMOUNT
16	MINIFIX BODY	44 PIECE
17	MINIFIX HEAD	44 PIECE
18	DOWEL	76 PIECE
19	CABINET SCREW	12 PIECE
20	DRAWER RAIL	3 SET
21	RAIL SCREW	6 PIECE
22	FLAT HINGE	2 PIECE
23	3.5*18 SCREW	12 PIECE
24	PULLER BOLT	7 PIECE
25	4 ALLEN KEY	1 PIECE

POZ NO	TRACK NAME	COLOUR	QTY	"THICKNESS (mm)"	DIMENSION(mm)	
					X	Y
1	1 STEP	UUD045	1	25	963	414
2	2 STEP	UUD045	1	25	713	414
3	3 STEP	UUD045	1	25	463	414
4	4 STEP	UUD045	1	25	448	414
5	LEFT SIDE	UUD045	1	18	1038	1209
6	RIGHT SIDE	UUD045	1	18	1038	1209
7	4. DIGIT SUB-REGISTER	UUD045	1	18	160	414
8	BRAND SUPPORT	UUD045	1	18	782	414
9	BOTTOM TABLE	UUD045	1	18	943	414
10	DRAWER RIGHT SIDE	UUD045	3	18	350	110
11	DRAWER LEFT SIDE	UUD045	3	18	350	110
12	DRAWER BACKS	UUD045	3	18	369	110
13	DRAWER FRONTS	SAID BEIGE	3	18	410	225
14	FALLS COVER	SAID BEIGE	1	18	410	225
15	DRAWER DIP	5MMWCF	3	5	379	342

