

Joie™

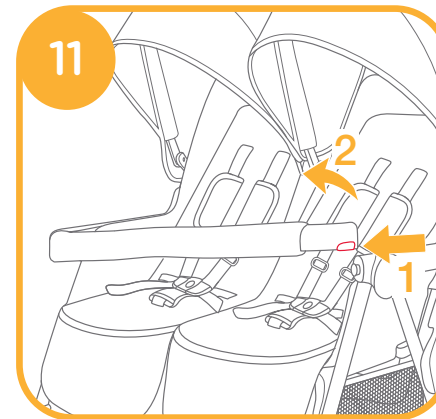
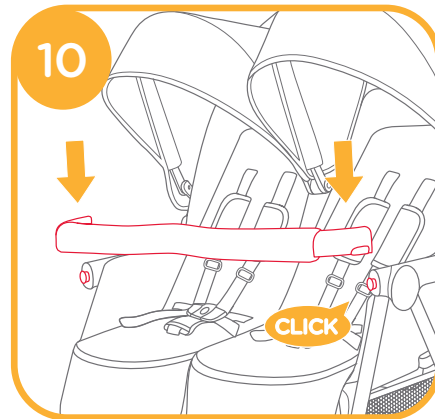
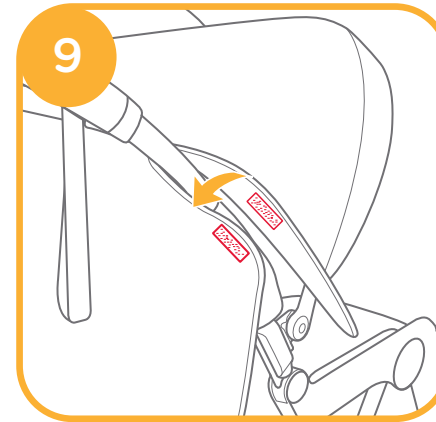
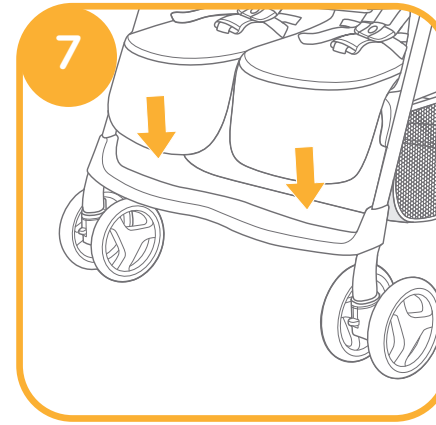
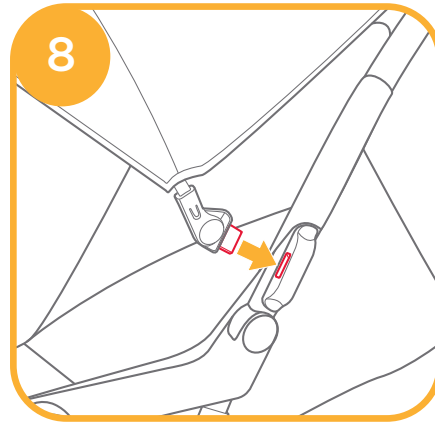
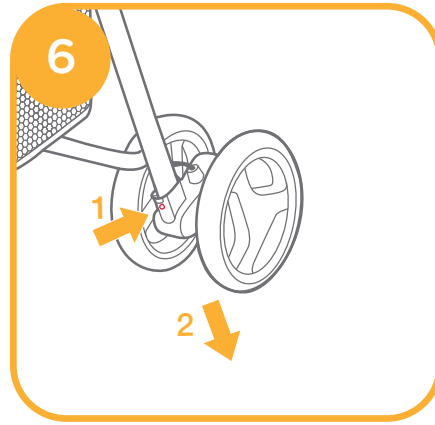
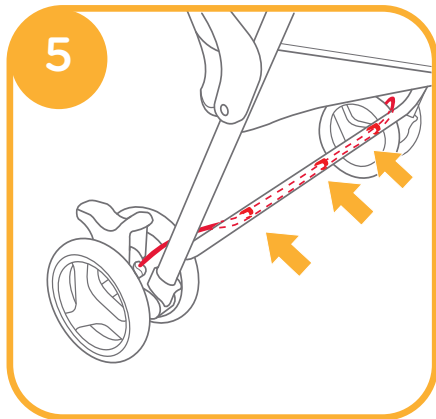
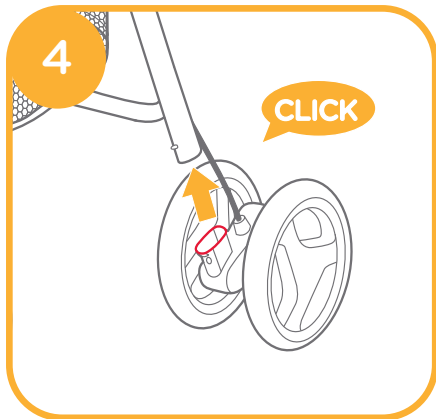
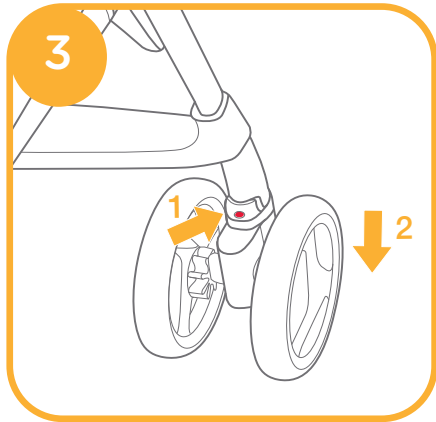
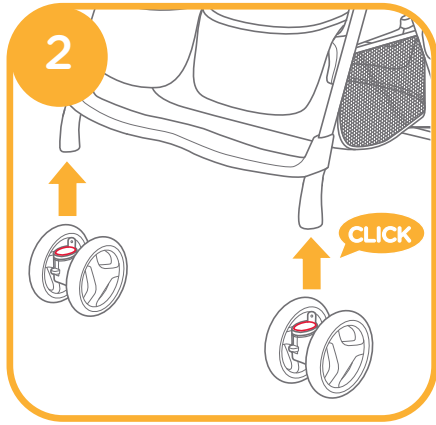
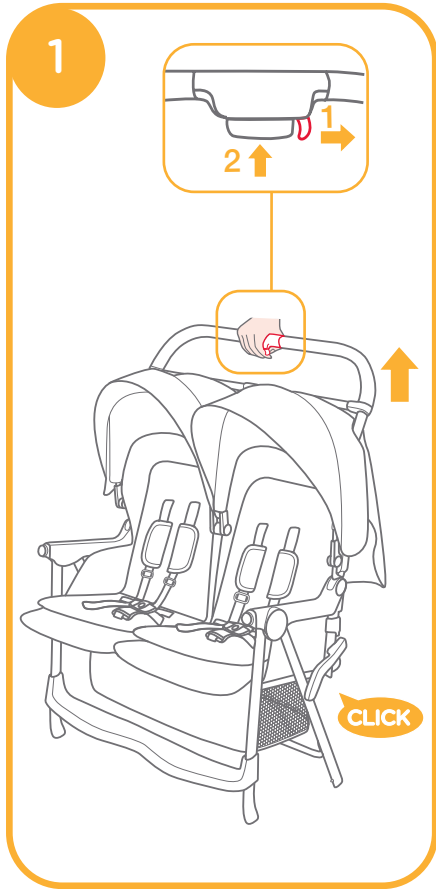
birth to 15kg/birth - 36 months

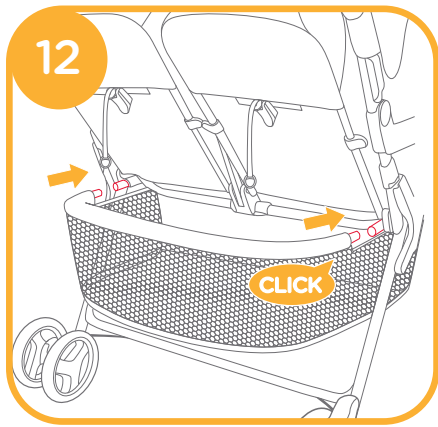
aire™ twin stroller

GB Instruction Manual

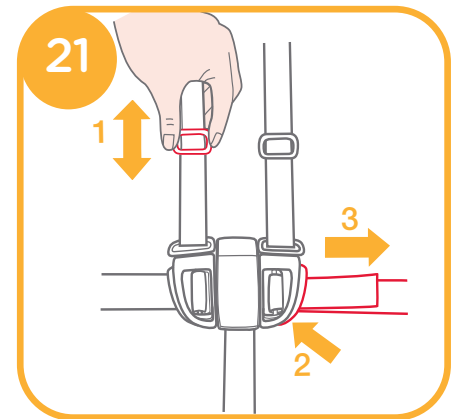
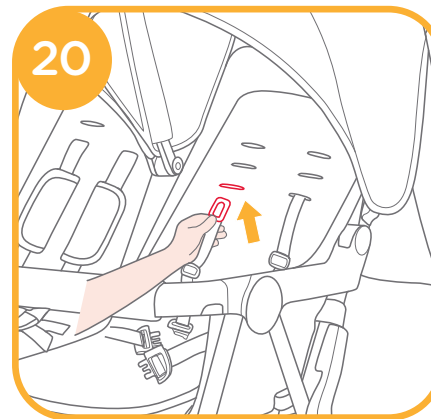
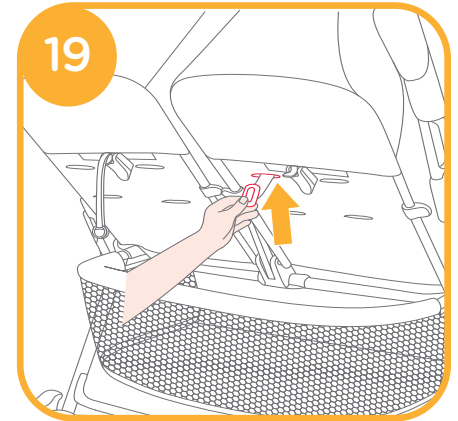
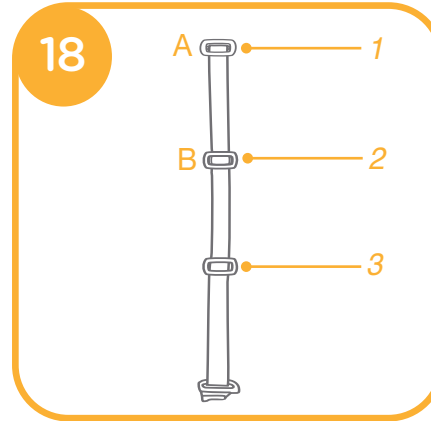
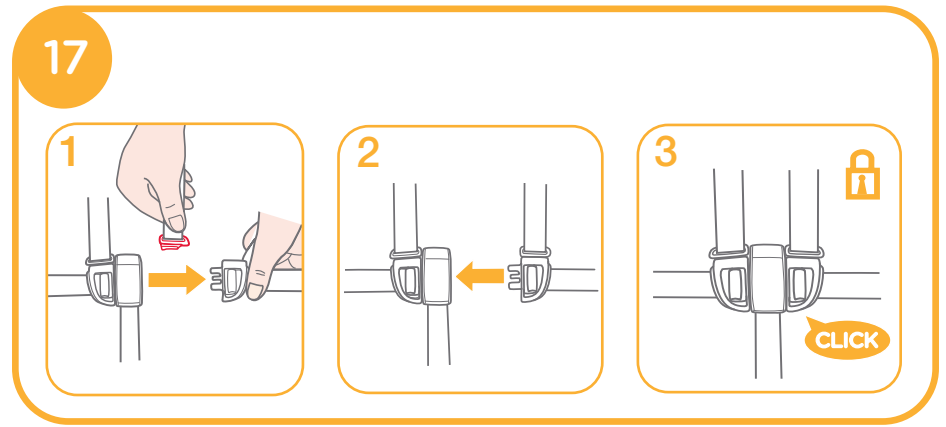
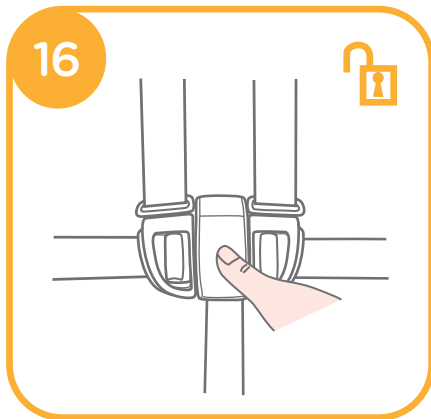
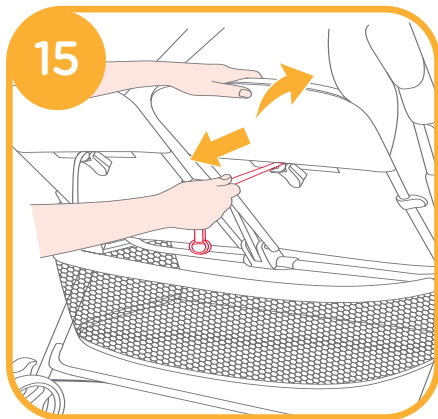
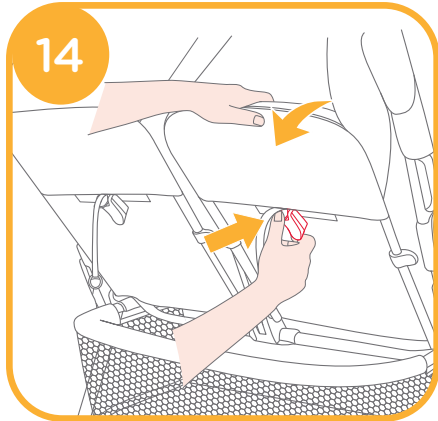


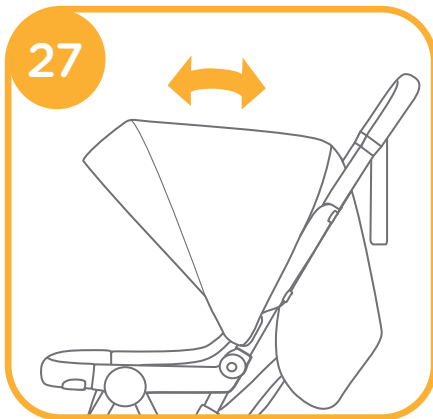
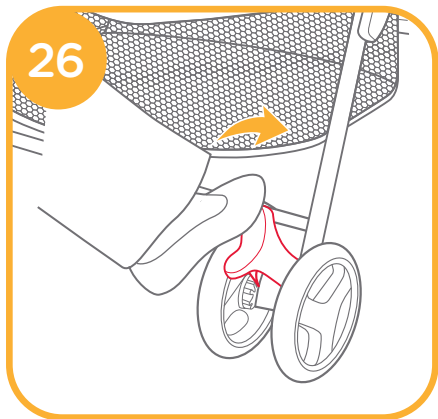
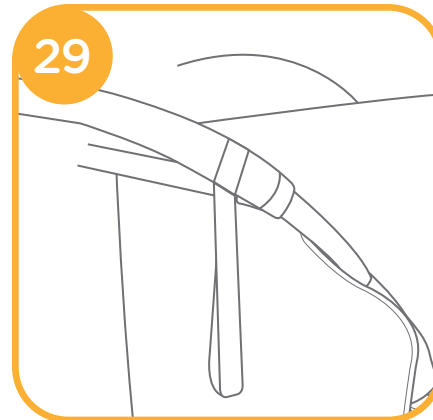
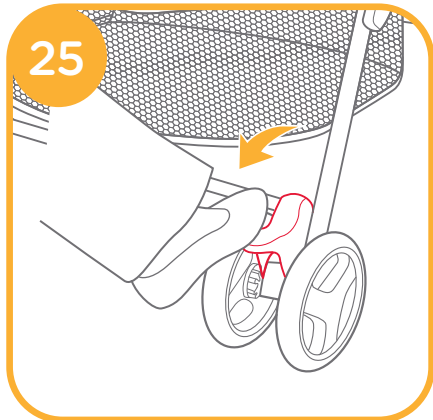
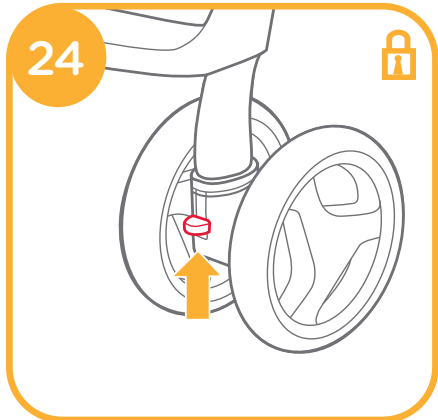
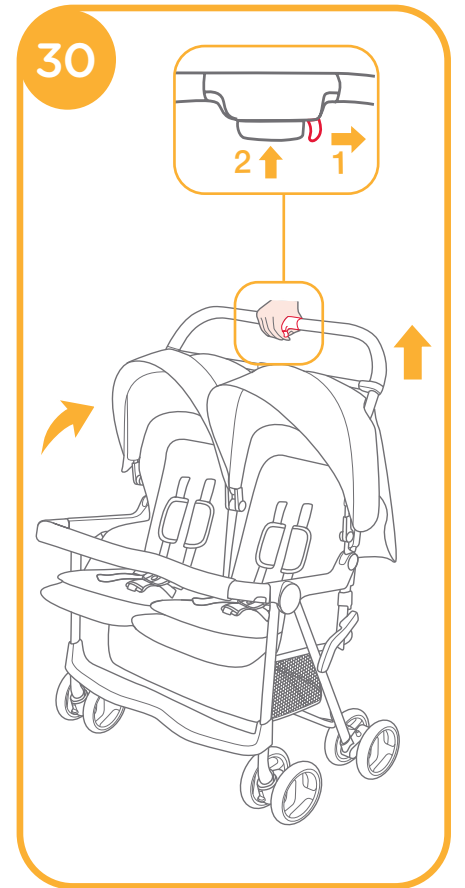
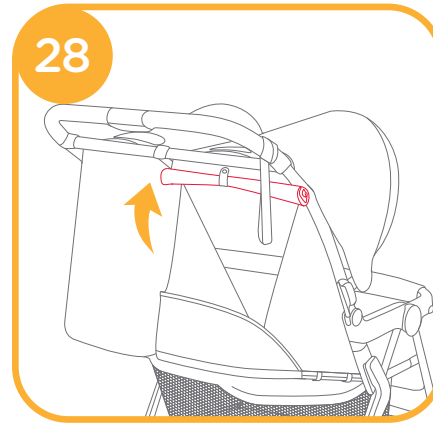
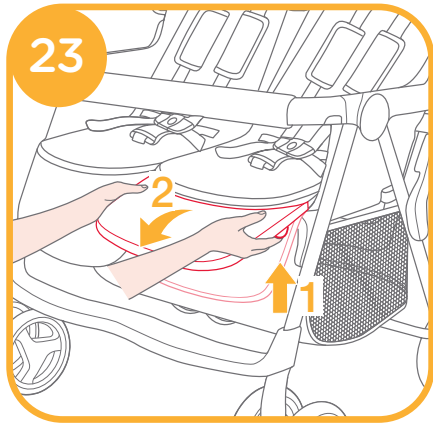
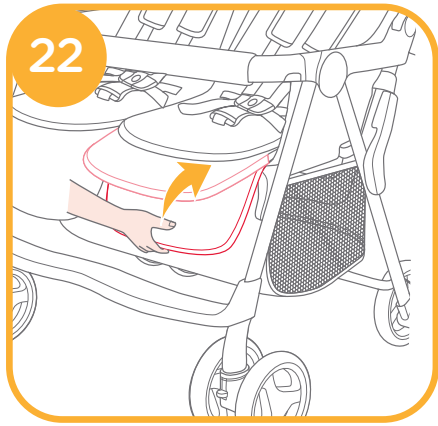
Stroller Assembly



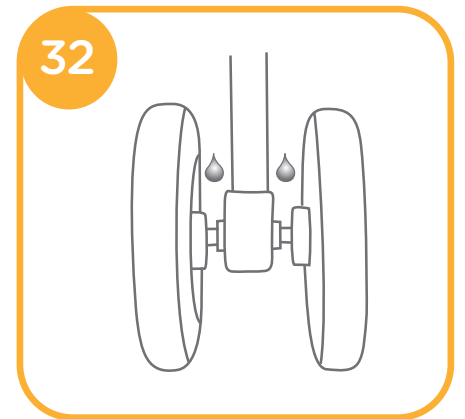


Stroller Operation

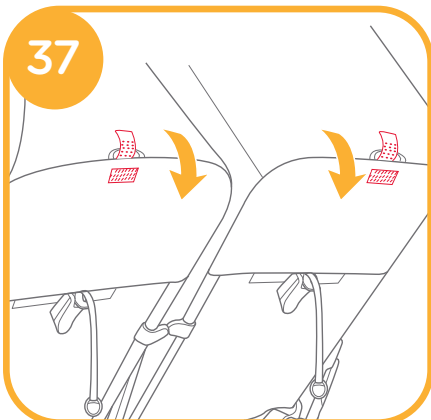




Care and Maintenance



Use Accessories (may not be included in purchase)



Congratulations on becoming part of the Joie family! We are so excited to be part of your journey with your little one. While traveling with the Joie AIRE™ TWIN, you are using a high quality, fully certified stroller, approved to the Australian Trade Practices Act 1974 Consumer Protection Notice No 8 of 2007 and AS NZS 2088:2013. This product is suitable for use with children weighing under 15kg in each seat. Please carefully read this manual and follow each step to ensure a comfortable ride and best protection for your child.

IMPORTANT - Keep these instructions for future reference.

Visit us at joiebaby.com to download manuals and see more exciting Joie products!

Contents

Figures	1-8
WARNING	12-14
Stroller Assembly	15
Open Stroller	15
Assemble Front Wheels	15
Assemble Rear Wheels	15
Secure Footrest	15
Assemble Hood	15
Assemble Armbar	15
Assemble Storage Basket	15
Stroller Operation	16
Adjust Recline	16
Use Buckle	16
Use Shoulder & Waist Harnesses	16
Adjust Calf Support	17
Use Front Swivel Lock	17
Use Brake	17
Use Hood	17
Fold Stroller	18
Use Accessories	18
Care and Maintenance	19

Emergency

In case of emergency or accident, it is most important to have your child taken care of with first aid and medical treatment immediately.

Product Information

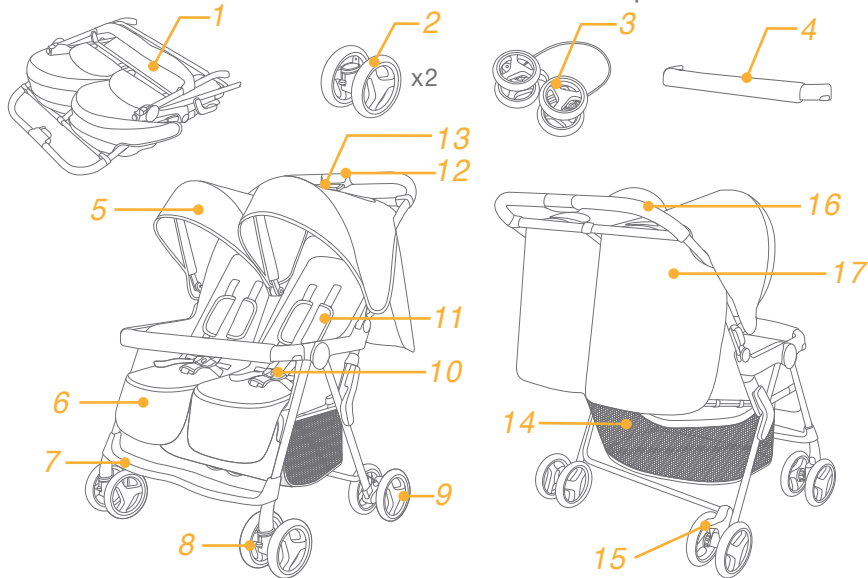
Read all the instructions in this manual before using this product. If you have any further questions, please consult the retailer. Some features may vary depending on model.

Product	Aire Twin Stroller
Suitable for	Child weighing under 15kg (birth - 36 months)
Materials	Plastics, metal, fabrics
Patent No.	Patents pending
Made in	China
Brand Name	Joie
Website	www.joiebaby.com
Manufacturer	Allison Baby UK Ltd

Parts List

Make sure all parts are available before assembly. If any part is missing, please contact local retailer. No tools are required for assembly.

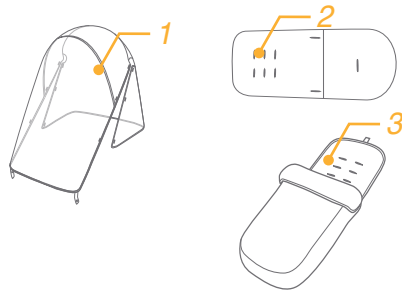
- | | |
|---------------------|---------------------------|
| 1 Stroller Frame | 9 Rear Wheel |
| 2 Front Wheel (X2) | 10 3/5 Point Buckle |
| 3 Rear Wheel | 11 Shoulder Harness Cover |
| 4 Armbar | 12 Secondary Lock |
| 5 Hood | 13 One-Hand-Fold Handle |
| 6 Seat Pad | 14 Storage Basket |
| 7 Footrest | 15 Brake Lever |
| 8 Front Swivel Lock | 16 Handle |
| | 17 Tether Strap |



Accessories

(may not be included)

- 1 Rain Cover (on certain models)
- 2 Reversible Seat Pad (on certain models)
- 3 Footmuff (on certain models)



! WARNING

- ! TO AVOID INJURY OR DEATH: ALWAYS APPLY THE BRAKES WHENEVER THE STROLLER IS STATIONARY.
- ! DO NOT LEAVE CHILDREN UNATTENDED. ALWAYS KEEP CHILD IN VIEW WHILE IN STROLLER.
- ! ALWAYS USE THE CROTCH COMBINATION WITH THE WAIST BELT. IT IS SUGGESTED THAT THE SHOULDER HARNESSES BE USED AS WELL.
- ! DO NOT CARRY EXTRA CHILDREN OR BAGS ON THIS STROLLER.
- ! **MAKE SURE CHILDREN ARE CLEAR OF ANY MOVING PARTS IF YOU ADJUST THE STROLLER.**
- ! TO AVOID SERIOUS INJURY FROM FALLING OR SLIDING OUT, ALWAYS USE SEAT BELT.
- ! USE THIS TETHER STRAP TO STOP THE STROLLER ROLLING AWAY.
- ! ENSURE THAT ALL THE LOCKING DEVICES ARE ENGAGED BEFORE USE.
- ! DO NOT LET YOUR CHILD PLAY WITH THIS PRODUCT.
- ! NEVER LEAVE THE HARNESS BUCKLED WHEN NOT FITTED TO A CHILD IN THE STROLLER BECAUSE THE HARNESS CAN FORM LOOPS WHICH MAY POSE A STRANGULATION HAZARD.
- ! IT IS UNSAFE TO USE ACCESSORIES OTHER THAN THOSE APPROVED BY THE PRODUCT MANUFACTURER.
- ! ADULT ASSEMBLY REQUIRED.
- ! USE THE STROLLER WITH A CHILD WEIGHING LESS THAN 15KG IN EACH SEAT. THIS PRODUCT IS DESIGNED TO CARRY A ONE OR TWO CHILDREN IN AN UPRIGHT OR RECLINED POSITION. IT WILL CAUSE DAMAGE TO THE STROLLER WITH AN UNFITTED CHILD.
- ! TO PREVENT A HAZARDOUS, UNSTABLE CONDITION, DO NOT PLACE MORE THAN 4.5KG IN THE STORAGE BASKET.
- ! THE PRODUCT NOT BE USED NEAR AN OPEN FIRE OR EXPOSED FLAME.
- ! USE THE STROLLER WITH TWO CHILD AT A TIME. NEVER PLACE PURSES, SHOPPING BAGS, PARCELS OR ACCESSORY ITEMS ON THE HANDLE OR HOOD.

- ! OVERLOADING, FOLDING INCORRECTLY, OR USING COMPONENT PARTS FROM OTHER MANUFACTURERS MAY CAUSE THE STROLLER TO BE DAMAGED, BROKEN OR UNSAFE. PLEASE READ THE INSTRUCTION MANUAL CAREFULLY.
- ! PLEASE READ ALL THE INSTRUCTIONS IN THE MANUAL BEFORE USING THE PRODUCT. PLEASE SAVE INSTRUCTION MANUAL FOR FUTURE USE. FAILURE TO FOLLOW THESE WARNINGS AND INSTRUCTIONS MAY RESULT IN SERIOUS INJURY OR DEATH.
- ! SAFETY BELTS AND RESTRAINT SYSTEMS MUST BE USED CORRECTLY.
- ! CHILD MAY SLIP INTO LEG OPENINGS AND BE STRANGLERED IF THE HARNESS IS NOT USED.
- ! NEVER USE STROLLER ON STAIRS OR ESCALATORS.
- ! KEEP AWAY FROM HIGH TEMPERATURE OBJECTS, LIQUIDS, AND ELECTRONICS.
- ! NEVER ALLOW YOUR CHILD TO STAND ON THE STROLLER OR SIT IN THE STROLLER WITH HEAD TOWARD FRONT OF STROLLER.
- ! NEVER PLACE THE STROLLER ON ROADS, SLOPES OR DANGEROUS AREAS.
- ! DO MAKE SURE ALL MECHANISMS ARE FIXED BEFORE USING THE STROLLER.
- ! TO AVOID STRANGULATION, DO NOT PLACE ITEMS WITH A STRING AROUND YOUR CHILD'S NECK, SUSPEND STRINGS FROM THIS PRODUCT, OR ATTACH STRINGS TO TOYS.
- ! DO NOT LIFT STROLLER WHILE CHILD IS IN STROLLER.
- ! DO NOT USE STORAGE BASKET AS A CHILD CARRIER.
- ! TO PREVENT TIPPING, NEVER LET CHILD CLIMB THE STROLLER. ALWAYS LIFT THE CHILD IN AND OUT OF THE STROLLER.
- ! TO AVOID FINGER ENTRAPMENT, USE CARE WHEN FOLDING AND UNFOLDING THE STROLLER.
- ! PLEASE KEEP THE STORAGE LATCH LOCKING CORRECTLY WHEN LIFT AND MOVE THE UNIT. PLEASE TRANSPORT THE FOLDED STROLLER SAFELY.

- ! TO AVOID STRANGULATION, DO MAKE SURE YOUR CHILD IS CLEAR FROM THE HOOD.
- ! THE STROLLER IS DESIGNED FOR USE ON FLAT OR GENTLY SLOPING SURFACES AND MAY BE UNSTABLE ON HIGHER SLOPING AND UNEVEN SURFACES, AND USERS SHOULD BE MADE AWARE OF THE POSSIBILITY OF THE STROLLER TIPPING OVER.
- ! DISCONTINUE USING STROLLER IF IT IS DAMAGED OR BROKEN.
- ! THIS PRODUCT IS NOT SUITABLE FOR RUNNING OR SKATING. STROLLER TO BE USED ONLY AT WALKING SPEED. THIS PRODUCT IS NOT INTENDED FOR USE WHILE JOGGING.
- ! TO AVOID SUFFOCATION, REMOVE PLASTIC BAG AND PACKAGING MATERIALS BEFORE USING THIS PRODUCT. THE PLASTIC BAG AND PACKAGING MATERIALS SHOULD THEN BE KEPT AWAY FROM BABIES AND CHILDREN.
- ! STROLLER DESIGNED TO BE USED FROM BIRTH SHALL RECOMMEND THE USE OF THE MOST RECLINED POSITION FOR NEW BORN BABIES.
- ! ALWAYS APPLY THE BRAKES WHENEVER THE STROLLER IS STATIONARY.
- ! EXTRA CARE IS NEEDED IF USED ON MOVING VEHICLES AND CHILD SHOULD NOT BE LEFT UNATTENDED, EVEN WITH BRAKES ENGAGED.
- ! SECURE THE CHILD IN THE HARNESS AT ALL TIMES.
- ! USE THIS HARNESS AT ALL TIMES.

Stroller Assembly

Please read all the instructions in this manual before assembling and using this product.

Open Stroller

see images ①

Push secondary lock ① - 1 and squeeze one-hand-fold handle ① - 2. Meanwhile, pull the stroller backward to open. Latches should click into place.

! Check that the stroller is completely latched before continuing to use.

Assemble Front Wheels

see images ② - ③

Assemble Rear Wheels

see images ④ - ⑥

Snap the brake cable into the fixing tabs under the tube. ⑤

While facing the rear of stroller, assemble the rear wheel with red brake to right leg ⑤

Secure Footrest

see images ⑦

Push the footrest down to secure it.

Assemble Hood

see images ⑧ - ⑨

Snap the 4 hook and loop fasteners on canopy rear retention. ⑨

Assemble Armbar

see images ⑩ - ⑪

Assemble Storage Basket

see images ⑫

Stroller Operation

Adjust Recline

see images ⑭ - ⑮

Use Buckle

see images ⑯ - ⑰

! To avoid serious injury from falling or sliding out, always secure your child with harness.

! Make sure your child is snugly secured. The space between the child and the shoulder harness is about the thickness of one hand.

! Do not cross the shoulder belts. This will cause pressure on a child's neck.

Use Shoulder & Waist Harnesses

see images ⑱ - ⑳

! In order to protect your child from falling out, after your child is placed into the seat, check whether the shoulder and waist harnesses are at proper height and length.

- ⑱ - 1 Shoulder harness anchor A
- ⑱ - 2 Shoulder harness anchor B
- ⑱ - 3 Slide adjuster

For larger child, use shoulder harness anchor A and the highest shoulder slots.

For smaller child, use shoulder harness anchor B and the lowest shoulder slots.

To adjust the position of the shoulder harness anchor, turn the anchor to be level with the side facing forward. Thread it through the shoulder harness slot from back to front. ⑲ Rethread it through the slot that is closest to child's shoulder height. ⑳

Use slide adjuster to change the harness length. ㉑ - 1

Press the button ㉑ - 2, while pulling the waist harness to proper length ㉑ - 3

Adjust Calf Support

see images 22 - 23

The calf support has 2 positions.

To raise the calf support, push it upwards.

To lower calf support, press the adjustment buttons on both sides of the calf support 23 - 1, and rotate the calf support downwards. 23 - 2

Use Front Swivel Lock

see images 24

Pull up the front swivel locks to maintain the moving direction. 24

Tip It is recommended to use swivel locks on uneven surfaces.

Use Brake

see images 25 - 26

To lock wheels, step the brake lever downwards. 25

To release wheels, step the brake lever forwards. 26

Tip Always set the parking brake when stroller is not moving.

Tip Clean brake system regularly to ensure fully functional. See care and maintenance section.

Tip To ensure brake is fully on, gently rock the stroller backwards and forwards before releasing the handle.

Use Hood

see images 27 - 28

Roll up the hood's rear panel and then attach the hook and loop fastener, to check on your baby. 28

Use Tether Strap

see images 29

Use the tether strap to prevent the stroller inadvertently rolling away. Check that when your hand is through the loop, it allows you to easily control the stroller.

Fold Stroller

see images 30 - 31

! Please fold the hood before folding the stroller.

Push secondary lock 30 -1 and squeeze one-hand-fold handle 30 -2. Pull the armrest rearwards to fold stroller, then the stroller can stand when folded. 31

! After folding the stroller, you can lift the handle to transport the unit easily.

Use Accessories

Accessories may be sold separately or may not be available depending on region.

Use Rain Cover

see images 33

To assemble the rain cover, place it over the stroller, and then attach the 8 pairs of hook and loop fasteners on the rain cover. 33

! When using the rain cover, please always check its ventilation.

! When not in use, please check that the rain cover has been cleaned and dried before folding.

! Do not fold the stroller after assembling the rain cover.

! Do not place your child into the stroller assembled with rain cover during hot weather.



Use Reversible Seat Pad

see images 34 - 35

Use Footmuff

The soft footmuff can provide your child with a warm and comfortable environment.


Assemble the footmuff by following these steps.

1. Place the footmuff over the seat after unzipping it, thread the shoulder harnesses, waist harnesses and crotch harness through respective slots. 
2. Thread loop fastener on the top of the footmuff through the backrest, and then stick it to the hook fastener. 
3. Place baby into the footmuff, lock the safety buckle, and then rezip the footmuff.

The assembled footmuff is shown as 

NOTE

Care and Maintenance

- ! Removable seat pad may be washed in cold water and drip-dried. No bleach.
- ! To clean stroller frame, use only household soap and warm water. No bleach or detergent.
- ! From time to time, check your stroller for loose screws, worn parts, torn material or stitching. Replace or repair the parts as needed.
- ! Excessive exposure to sun or heat could cause fading or warping of parts.
- ! If stroller becomes wet, open hood and allow to dry thoroughly before storing.
- ! If wheels squeak, use a light oil (e.g. , Silicon Spray, antirust oil, or sewing machine oil). It is important to get the oil into the axle and wheel assembly. 
- ! If brake pedal stiff/hard to fully engage, flush any debris from brake system with clean water first before lubricating.
- ! When using your stroller at the beach or areas of high dust/sand, completely clean your stroller after use to remove sand and salt from brake mechanisms and wheel assemblies.

NOTE

NOTE



Joie™

Allison Baby UK Ltd,
Venture Point, Towers Business Park
Rugeley, Staffordshire, WS15 1UZ

NUNA International B.V.
Van der Valk Bourmanweg 178 C,
2352 JD Leiderdorp, The
Netherlands

bring the kids™

Share the joy at joiebaby.com

P-IM0148E