

SENCOR®

SVC 5501BK 3AAA
SVC 5500WH 3AAA



EN ■ Vacuum Cleaner

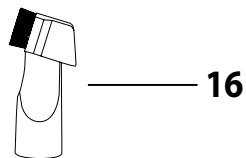
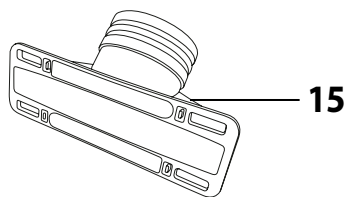
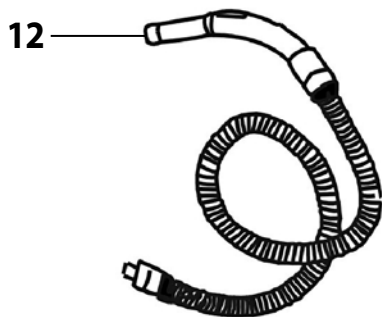
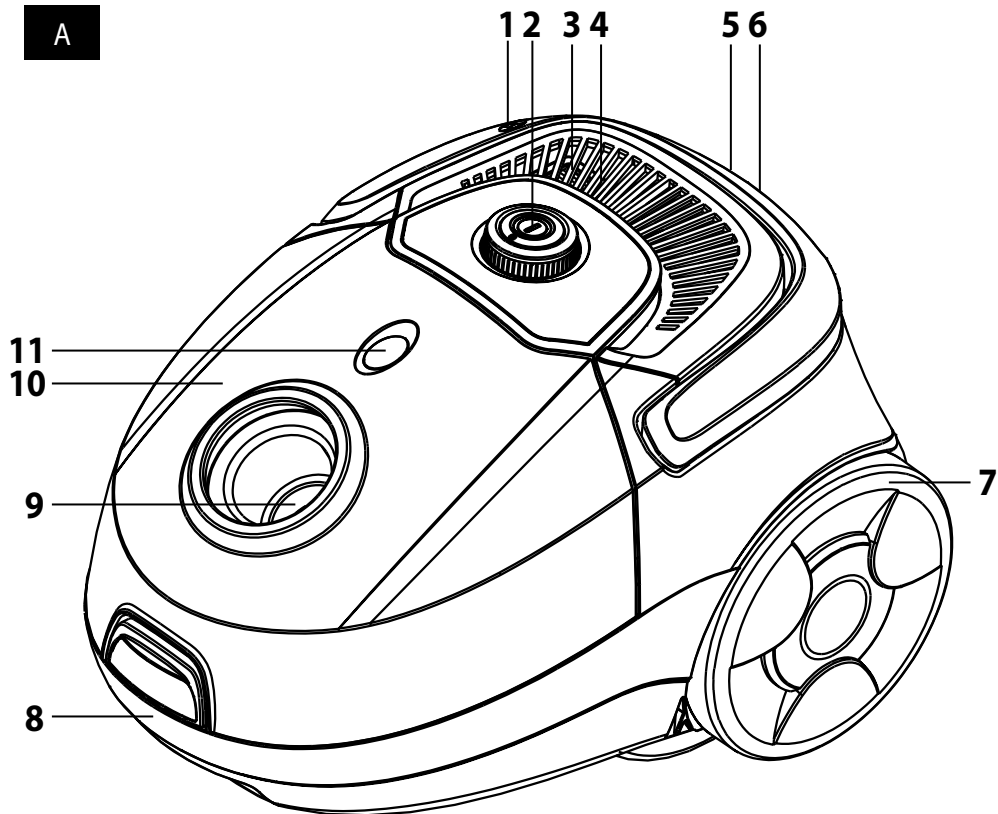
Translation of the original manual

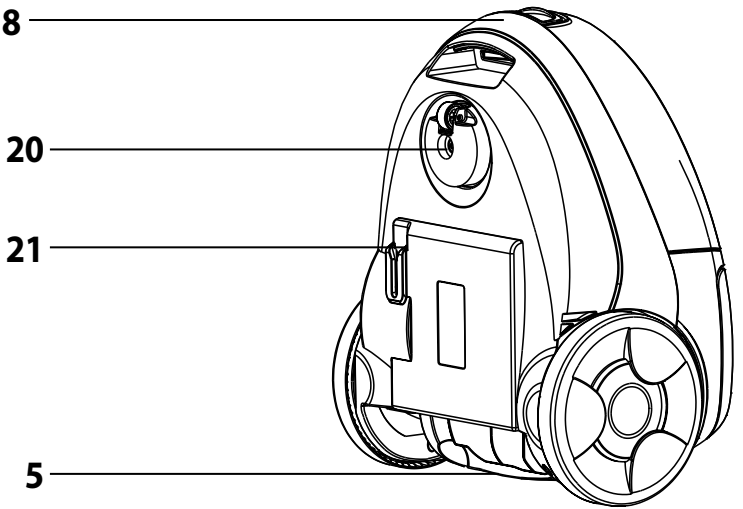
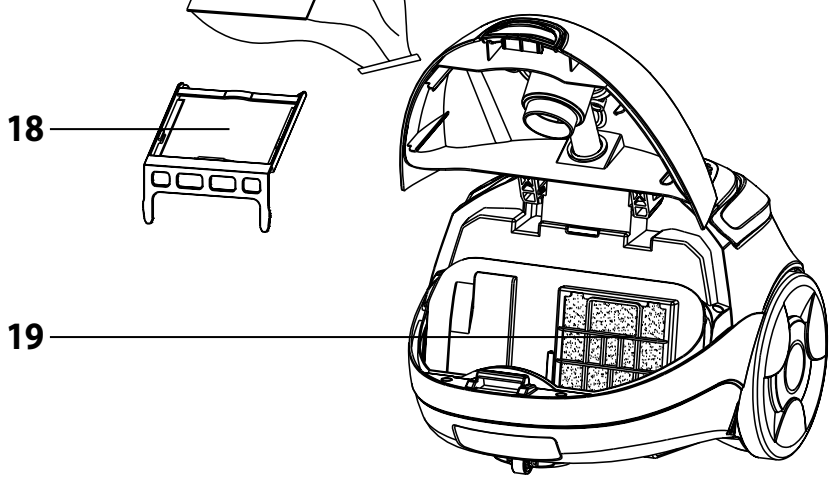
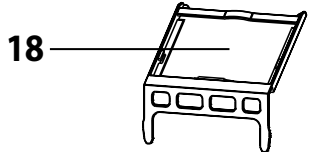
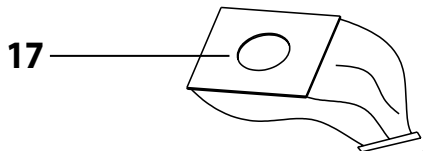
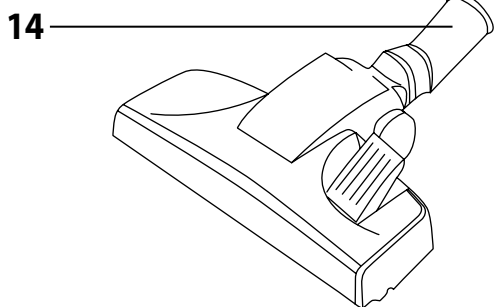
READ CAREFULLY AND STORE FOR FUTURE USE.

- This appliance may be used by children 8 years of age and older and by persons with physical or mental impairments or by inexperienced persons, if they are properly supervised or have been informed about how to use the product in a safe manner and understand the potential dangers.
- Children must not play with the appliance. Cleaning and maintenance performed by the user must not be performed by unsupervised children.
- In the event that the power cord is damaged, have it repaired at a professional service centre to prevent causing a dangerous situation. It is forbidden to use the appliance if it has a damaged power cord.
- Pull the power plug out of the socket before cleaning the appliance or performing maintenance.
- This vacuum cleaner is designed for use in households, offices and similar types of areas. Do not use in industrial surroundings.
- Do not expose the vacuum cleaner to direct sunlight and do not place it near an open fire or appliances that are a source of heat.
- Before connecting the power cord to a power socket, check that the technical details on the vacuum cleaner's rating label match the electrical voltage in the socket.
- Make sure the power cord is not touching a hot surface or sharp objects.
- Do not submerge the vacuum cleaner under water or any other liquid and do not rinse it under running water.
- Before turning on the vacuum cleaner, make sure that the dust bag is inserted inside and that all the inflow and outflow filters are installed in their place.
- When the vacuum cleaner is running, ensure that the air outlets and the suction hole are not blocked.
- Do not use the vacuum cleaner to vacuum the following items:
 - smouldering cigarettes, burning items, matches or embers;
 - water and other liquids;
 - flammable or volatile materials;
 - sharp items, e.g. broken glass, needles, pins, etc.;
 - flour, wall plaster, cement and other building materials;

- larger pieces of paper or plastic bags, which can easily block the suction hole.
- Vacuuming of some types of floors or floor surfaces can create an electrostatic discharge, which presents no danger to the user.
- Do not place the suction nozzle or tube against any parts of the face.
- Always turn off the vacuum cleaner and disconnect it from the power socket when leaving it without supervision, after finishing using it and before cleaning it.
- Disconnect the power cord from the power socket by pulling on the plug, never pulling on the cord. Otherwise, this could damage the power cord or the socket. It is recommended to hold the power cord in your hand when winding it up.
- Do not use the vacuum cleaner if it is not working correctly, if it has been damaged or has been submerged in water. Do not repair the vacuum cleaner yourself or make any adjustments to it. Have all repairs or adjustments performed at an authorised service centre. By tampering with the appliance, you risk voiding your legal rights arising from unsatisfactory performance or quality warranty.

A





- Prior to using this appliance, please read the user's manual thoroughly, even in cases, when one has already familiarised themselves with previous use of similar types of appliances. Only use the appliance in the manner described in this user's manual. Keep this user's manual in a safe place where it can be easily retrieved for future use.
- We recommend saving the original cardboard box, packaging material, purchase receipt and responsibility statement of the vendor or warranty card for at least the duration of the legal liability for unsatisfactory performance or quality. In the event of transportation, we recommend that you pack the appliance in the original box from the manufacturer.

DESCRIPTION OF THE APPLIANCE

- A1** Handle, cord winding button
- A2** On/Off button / electronic motor power control
- A3** Outflow filter protective grille
- A4** Outflow filter (located underneath the protective grille)
- A5** Groove for the horizontal parking position
- A6** On board (2 in 1 brush and crevice nozzle)
- A7** Wheel
- A8** Handle
- A9** Hose connection hole
- A10** Top cover
- A11** Full dust bag indicator
- A12** Flexible hose
- A13** Telescopic tube
- A14** Floor nozzle
- A15** Upholstery nozzle
- A16** 2 in 1 brush and crevice nozzle
- A17** Dust bag
- A18** Dust bag holder
- A19** Washable inflow filter (located behind the removable grille)
- A20** Front travel wheel
- A21** Vertical parking position

BEFORE FIRST USE

Before first use, take the appliance and its accessories out of the packaging material and remove all promotional labels and stickers. Check that neither the appliance nor any of its parts is damaged.

ASSEMBLY

Inserting the hose into the air suction hole on the vacuum cleaner.

Press both the clips on the end of the hose **A12** and insert the hose end into the air suction hole **A9** on the vacuum cleaner until you hear a "click". The hose **A12** is now secured in the correct position.

Attaching the telescopic tube:

Put the flexible hose **A12** on the wider part of the telescopic tube **A13**.

Attaching the floor nozzle to the telescopic tube:

Make sure that the floor nozzle **A14** is attached to the narrower part of the telescopic tube **A13**.

Adjusting the length of the telescopic tube:

Adjust the length of the telescopic tube **A13** as required – disengage and hold down the clip on the tube **A13** and at the same time adjust the length of the tube **A13** to the required length. Then release the clip and slide out the tube **A13** slightly forward until you hear a "click". The telescopic tube **A13** is now securely locked in position.

USING THE VACUUM CLEANER

Connecting the vacuum cleaner to the power grid

Wind out the required length of the power cord by pulling on the power plug. Insert the power plug into a power socket.



Attention:

The yellow marking on the power cord warns you that the power cord is close to its end. Do not pull the cord farther than the red marking.

Using the accessories

The floor nozzle **A14** is suitable for vacuuming smooth hard floor areas and carpets. You may set the inlet nozzle according to the floor surface by adjusting the inlet flap:

- If you want to vacuum carpets, close the bristles of the inlet inside the inlet nozzle, by turning the flap accordingly.

- If you want to vacuum hard and smooth surfaces, extend the bristles out of the nozzle, by turning the flap accordingly.

The crevice nozzle **A16** can be used for vacuuming hard-to-reach places and the upholstery nozzle **A15** is used for gently vacuuming various types of furniture.

The 2-in-1 brush and slot nozzle **A16** can be attached directly to the handle of the flexible hose **A12** or to the telescopic tube **A13**.

Turning the vacuum cleaner on and off

To turn on the vacuum cleaner, press button **A2**. To turn off the vacuum cleaner, press the button **A2** again.

Adjusting the suction power

Suction power can be controlled by turning button **A2**, which also serves as an electronic motor power control. Turn the button **A2** clockwise towards the MAX position to increase the power of the vacuum cleaner, turn it in the opposite direction towards the MIN position to reduce its power. In a smaller range, you may regulate suction power using the mechanical sliding flap on the hose handle **A12**.



Tips

Use maximum suction power when vacuuming carpets or hard floors. Use a lower suction power level when vacuuming upholstery, curtains, etc.

In the event that the hose **A12** becomes clogged while vacuuming, disconnect it from the telescopic tube **A13** and likewise disconnect the hose **A12** from the vacuum cleaner. Then insert the holder into the suction hole on the vacuum cleaner and vacuum out the material preventing the air flow.

Temporary interruption of the vacuuming process

If you wish to interrupt vacuuming for a while, you can use the horizontal **A5** or vertical **A21** parking position on the vacuum cleaner, into which you insert the stopper on the floor nozzle **A14**.



Attention:

Do not move the vacuum cleaner from place to place if the hose is in the parked position! The guide tab on the floor nozzle **A14** could brake off.

Ending the vacuuming process

When you finish vacuuming, switch the vacuum cleaner off by pressing button **A2** and then disconnect the power cord plug from the power socket. To wind the power cord back into the vacuum cleaner, press and hold the winding button **A1** with one hand and guide the power cord with the other.



Tip:

If the winding process stops and part of the power cord is still outside, release the winding button **A1** and pull the cable out again by about 50 cm and then press and hold the winding button **A1** again and repeat the winding process.

Carrying the vacuum cleaner

It is possible to hold and carry the vacuum by the handle **A1** and **A8**.

CLEANING AND MAINTENANCE

Disconnect the power plug from the power socket before cleaning.



Warning:

To prevent the risk of injury by electrical shock, do not submerge the appliance, power cord or power plug in water or any another liquid.

Changing the dust bag

When the full dust bag indicator **A11** lights up, it is necessary to replace the dust bag **A17**. If you do not remove the dust bag **A17**, the vacuum cleaner's suction power will be reduced.

1. Pull the top cover **A10** upwards to open it.
2. By pulling on the collar of the dust bag, remove it from the plastic holder **A18** and insert a new bag.
3. Close the top cover **A10** of the vacuum cleaner until you hear a click.

Changing and cleaning the inflow filter

1. Pull the top cover **A10** upwards to open it.
2. By pulling on the collar of the dust bag, remove it from the plastic holder **A18** to make room for the removal of the filter **A19**.
3. Remove the protective grille and take out the filter **A19**.
4. In the event of lighter soiling, the filter **A19** can be washed under running lukewarm water and allowed to dry naturally. Do not dry it over a heater or using a hair dryer. In the event of strong soiling, replace the filter **A19** with a new one.
5. Put the clean and dry filter **A19** back in its place secure it using the grille.

6. Put the dust bag **A17** back in.
7. Close the top cover **A10**.



Attention:

Never insert the filter back into the vacuum cleaner if it is wet or damp! Always wait until it is thoroughly dry.

Replacing the outflow filter

1. Remove the protective grille **A3** and take out the outflow filter **A4**.
2. Replace it with a new one and reinstall the grille **A3**.



Attention:

Do not use the vacuum cleaner without the filters (**A4** and **A19**) installed.

Cleaning the vacuum cleaner

To clean the outside parts of the appliance use a fine cloth dipped in lukewarm water. Do not use aggressive cleaning agents, paint thinners or solvents. Using these solutions could damage the surface of the appliance.

Storage

You may store the vacuum cleaner disassembled into its individual parts or you can store it assembled in the parking position.

TROUBLESHOOTING

Before you decide to contact an authorised service centre, please read through the following table:

Problem	Possible cause	Possible solution
The motor will not start	The power cord is not inserted correctly in the power socket. The power socket is damaged. The vacuum cleaner is not switched on.	Insert the plug firmly into the power socket. Inspect the power socket. Turn on the appliance.
Suction power is weak	The appliance cleaner is clogged. The dust bag A17 is full.	Remove the items that have clogged the appliance. Replace it with a new one.
The power cord is not wound in completely.	The power cord may have slipped down from the winding pulley during winding.	Hold the cable under tension while winding the cable.
The cable cannot be pulled out.	The cable is wound up incorrectly.	Press button A1 and try again
The power cord winds up automatically.	The winding mechanism is damaged.	Contact an authorised service centre.
It is not possible to close the top cover A10 .	The inflow filter A19 is not inserted correctly.	Install the inflow filter A19 correctly.

TECHNICAL SPECIFICATIONS

Rated voltage range.....	220 – 240 V~
Rated frequency.....	50 / 60 Hz
Rated power input.....	700 W
Noise level	75 dB(A)
Length of the power cord	5 m
Operating range	8 m
Dust bag capacity.....	2 l
Dimensions (length × width × height)	350 × 268 × 228 mm
Weight.....	3.75 kg

The declared noise emission level of the appliance is 75 dB(A), which represents a level A of acoustic power with respect to a reference acoustic power of 1 pW.



Safety class for electrical shock protection:

Class II – Electrical shock protection is provided by double or heavy-duty insulation.

We reserve the right to change text and technical specifications.

INSTRUCTIONS AND INFORMATION REGARDING THE DISPOSAL OF USED PACKAGING MATERIALS

Dispose of used packaging material at a site designated for waste in your municipality.

DISPOSAL OF USED ELECTRICAL AND ELECTRONIC EQUIPMENT



This symbol on products or original documents means that used electric or electronic products must not be added to ordinary municipal waste. For proper disposal, renewal and recycling hand over these appliances to determined collection points. Alternatively, in some European Union states or other European countries you may return your appliances to the local retailer when buying an equivalent new appliance.

Correct disposal of this product helps save valuable natural resources and prevents potential negative effects on the environment and human health, which could result from improper waste disposal. Ask your local authorities or collection facility for more details.

In accordance with national regulations penalties may be imposed for the incorrect disposal of this type of waste.

For business entities in European Union states

If you want to dispose of electric or electronic appliances, ask your retailer or supplier for the necessary information.

Disposal in other countries outside the European Union

This symbol is valid in the European Union. If you wish to dispose of this product, request the necessary information about the correct disposal method from the local council or from your retailer.



This product meets all the basic requirements of EU directives related to it.