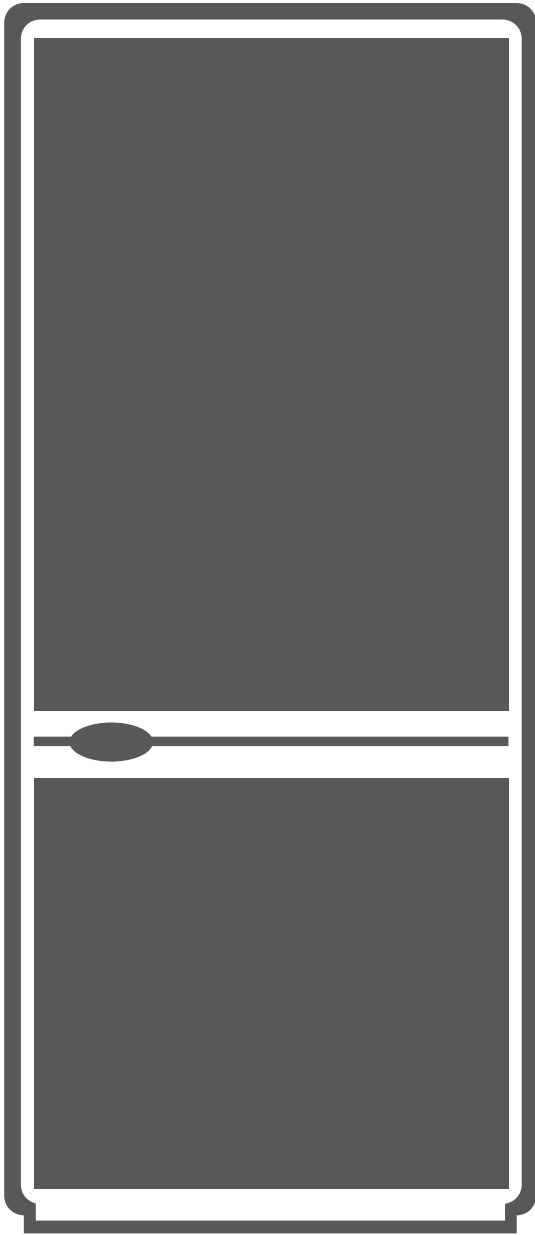




# REFRIGERATOR

## BOTTOM FREEZER



- **USER'S MANUAL**
- **ΕΓΧΕΙΡΙΔΙΟ ΧΡΗΣΗΣ**

**MODEL:**  
PSB20060INL



# LANGUAGES

---

ENGLISH .....	3
ΕΛΛΗΝΙΚΑ.....	25

# CONTENTS

1. IMPORTANT NOTES AND PRECAUTIONS.....	04
SAFETY INFORMATION AND WARNINGS .....	04
2. INSTALLING YOUR NEW DEVICE.....	08
3. REVERSING THE DOOR .....	09
4. DEVICE DESCRIPTION .....	14
5. OPERATION OF THE DEVICE .....	15
6. USE OF YOUR DEVICE.....	17
7. USEFUL HINTS AND TIPS .....	19
8. CLEANING AND CARE .....	20
9. TROUBLESHOOTING.....	22
10. DISPOSAL OF THE APPLIANCE .....	24

# 1. IMPORTANT NOTES AND PRECAUTIONS

## SAFETY INFORMATION AND WARNINGS

For your safety and for proper use, before installing and using the appliance for the first time, please read this user manual carefully, including the instructions and warnings. To avoid errors and accidents, it is important to ensure that all persons using the appliance are familiar with its operation and its safety features. Keep these instructions and ensure that they accompany the appliance if it is moved or sold, so that any user is properly informed of the use and safety notes. For the safety of human life and material goods, observe the precautions contained in these instructions for use, as the manufacturer is not responsible for any damages caused by omission.

### Safety for children and vulnerable persons

- According to EN standard

This appliance is not intended for use by children under 8 years of age or persons with reduced physical or mental capacity or lack of experience and knowledge without supervision, or unless they have been given clear instructions on the safe use of the appliance, so they understand all possible risks. Children should not play with the appliance. Cleaning and maintenance should not be carried out by children without supervision. Children between 3 and 8 years of age are allowed to place and remove food from refrigeration appliances..

- In accordance with the IEC standard

This appliance is not intended for use by persons (including children) with reduced physical, sensory, or mental capabilities or lack of experience and knowledge, unless they are supervised or instructed in the use of the appliance by a person responsible for their safety.

- Keep all packaging materials out of reach of children as they present a risk of suffocation.
- If the appliance is discarded, unplug the appliance, cut the power cord (as close to the appliance as possible) and remove the door to prevent the possibility of electric shock or entrapment of children playing inside the appliance.
- If this appliance, which has a magnetic door latch, replaces an older appliance that has a spring lock (latch) on the door or lid, make sure to disable the spring lock before discarding the old appliance. This way will be no risk of a child becoming trapped inside.

### General safety

 **WARNING** - This device is intended for home use.

- **WARNING** - Do not store explosive materials such as aerosol cans with flammable propellant inside this appliance.
- **WARNING** - If the power cord is damaged, it must be replaced by the manufacturer, authorized service representative or a qualified technician, respectively, to avoid any danger.
- **WARNING** - Keep the ventilation openings in the appliance housing or mounting structure free of any obstruction.
- **WARNING** - Do not use mechanical devices or other artificial means to accelerate the defrosting process other than those recommended by the manufacturer.
- **WARNING** - Do not damage the refrigeration circuit.
- **WARNING** - Do not use electrical appliances within the food storage compartments of the appliance unless they are of a type recommended by the manufacturer.

- **WARNING** - The refrigerant and insulation gas are flammable. This appliance should be disposed only at an authorized waste disposal center. Do not expose it to flame. **WARNING** - When installing the appliance, make sure that the power cord will not be trapped or damaged.
- **WARNING** - Do not place portable power tools or portable power supplies on the back of the appliance.

### **Replacing the LED lamp**

- **WARNING** - The LED lamp must not be replaced by the user! If the LED lamp is damaged, contact the customer helpline.

### **Coolant**

The refrigerant isobutane (R600a) contained in the refrigerant circuit of the appliance is a natural gas with a high level of environmental compatibility and is flammable. When transporting and installing the appliance, ensure that none of the parts of the refrigerant circuit are damaged.

The refrigerant (R600a) is flammable.

- **WARNING** - Refrigerators contain refrigerant and gases in the insulation. The refrigerant and gases must be disposed of by professionals as they can cause eye injury or ignition. Make sure the refrigerant circuit piping is intact before properly disposing of the appliance.



**WARNING! Risk of fire/flammable materials. In case of damage to the cooling circuit:**

- Avoid naked flames and ignition sources.
- Avoid naked flames and naked flame sources.

Changing the specifications or modifying this product in any way is dangerous. Any damage to the cord may cause a short circuit, fire and/or electric shock.

### **Electrical safety**

- The power cord must not be lengthened.
- Make sure the power plug is not broken or damaged. A broken or damaged plug can overheat and cause a fire.
- Make sure you have access to the main appliance plug.
- Do not pull the power cord.
- If the power supply plug is loose, do not insert the plug. There is a risk of electric shock or fire.
- Do not operate the appliance without the cover of the internal light bulb.
- The refrigerator operates only with single-phase alternating current of 220~240V/50Hz. If the voltage fluctuation in the user's home area is so large that the voltage exceeds the above range, be sure to install an automatic AC voltage regulator of more than 350W on the refrigerator. The refrigerator must use a dedicated power supply outlet and not one common with other electrical appliances. Its plug must be used on a grounded power supply outlet.

## Daily use

- Do not store flammable gases or liquids in the appliance as there is a risk of explosion.
- Do not operate any electrical appliances inside the appliance (e.g., electric ice cream makers, mixers, etc.).
- When disconnecting the appliance from the power supply, always pull the plug from the socket and not the cord.
- Do not place hot objects near the plastic parts of this appliance.
- Do not place food products directly into the air outlet on the rear wall.
- Store pre-packaged frozen food according to the manufacturer's instructions.
- The storage recommendations of the appliance manufacturer must be strictly adhered to. Refer to the relevant storage instructions.
- Do not place carbonated beverages in the freezer compartment as this creates pressure inside the container, which may explode, resulting in damage to the appliance.
- Frozen food may cause ice burn if eaten directly from the freezer.
- Do not place the appliance in direct sunlight.
- Keep lit candles, lamps, and other objects with a naked flame away from the appliance to prevent the appliance from catching fire.
- The appliance is intended to preserve food and/or beverages in an ordinary household, as explained in this instruction booklet. The appliance is very heavy. Exercise due care when moving it.
- Do not remove or touch objects from the freezer compartment with wet/wet hands as this may cause abrasions or ice burns to the skin.
- Never use the base, drawers, doors, etc. as supports.
- Frozen food should not be re-thawed after it has been defrosted.
- Do not consume popsicles or ice cubes directly from the freezer as ice burns can occur due to ice on the mouth and lips.
- Do not overload door shelves or fruit bowls to avoid dropping items and causing injury or damage to the appliance.
- WARNING - Food must be bagged before being placed in the refrigerator. Liquids should be stored in bottles or capped containers to prevent spillage, as cleaning the structure of the product is not easy.

## Care and cleaning

- Before carrying out maintenance, switch off the appliance and unplug it from the mains.
- Do not clean the appliance with metal objects, steam cleaners, essential oils, organic solvents, or abrasive cleaners.
- Do not use sharp objects to remove ice from the appliance. Use a plastic scraper. Important notes for installation!
- For correct and safe electrical connection, follow the instructions provided in this manual.
- Unpack the appliance and check for any damage. Do not connect the appliance if it is damaged. Report possible damage immediately to the purchasing agent. In this case, keep the packaging.
- It is recommended to wait at least four hours before connecting the appliance so that the oil can return to the compressor.
- There should be sufficient air circulation around the appliance to avoid overheating. To achieve adequate ventilation, follow the instructions for installation. Wherever possible, the back of the product should not be too close to a wall to prevent contact with hot

components (compressor, condenser) and thus the possibility of fire. Follow the instructions on installation.

- The appliance must not be placed near radiators or hot plates.
- Make sure that the power plug is accessible after installation of the appliance

### **Repair and service**

- All electrical work required to service the appliance must be carried out by a professional electrician or competent person.
- Service of this product must be performed by an authorized service center and only genuine spare parts must be used.
  - 1) If the appliance is Frost Free.
  - 2) If the appliance includes a freezer compartment.

## 2. INSTALLING YOUR NEW DEVICE

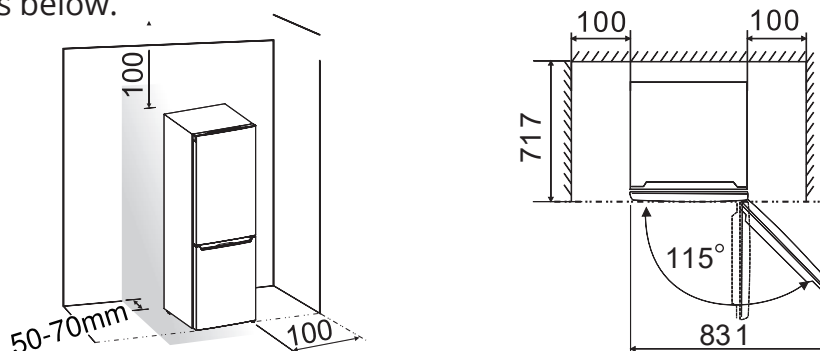
- Before using the device for the first time, you should read the following tips.

### Venting the appliance

To improve the efficiency of the cooling system and to save energy, good ventilation around the appliance is required to disperse heat. For this reason, sufficient empty space around the refrigerator is required.

**NOTE:** A clearance of 50-70 mm from the back of the appliance to the wall, at least 100 mm from the top, at least 100 mm from the sides to the wall and a clearance at the front to allow the doors to open to 115° is recommended.

See the diagrams below.



### NOTES:

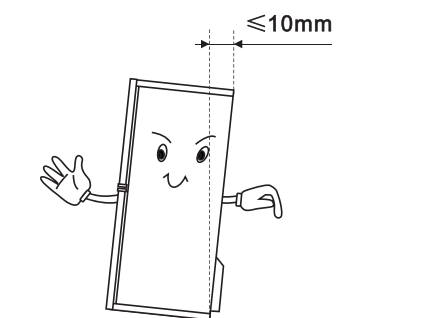
- This device performs correctly in a SN to ST climate class environment. It may not operate properly if left at a temperature higher or lower than the indicated temperature range for an extended period of time.

Climate Class	Temperature
SN	+10°C to +32°C
N	+16°C to +32°C
ST	+16°C to +38°C

- Place your device in a dry place to avoid moisture damage.
- Keep the device out of direct sunlight, rain, or frost.
- Place the appliance away from heat sources such as stoves, fireplaces, or radiators.

### Alignment of the unit

- For proper alignment and air circulation in the lower back of the unit, adjustment of the lower legs may be required. You can adjust them with your fingers or with a suitable wrench.
- For the doors to close by themselves, give a 10-15 mm tilt to the rear.





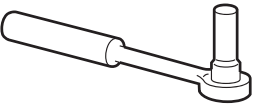
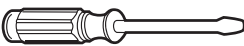
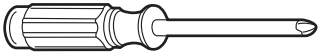

### 3. REVERSING THE DOOR

The side on which the door opens can be changed from the right (as delivered) to the left, if required by the installation location.

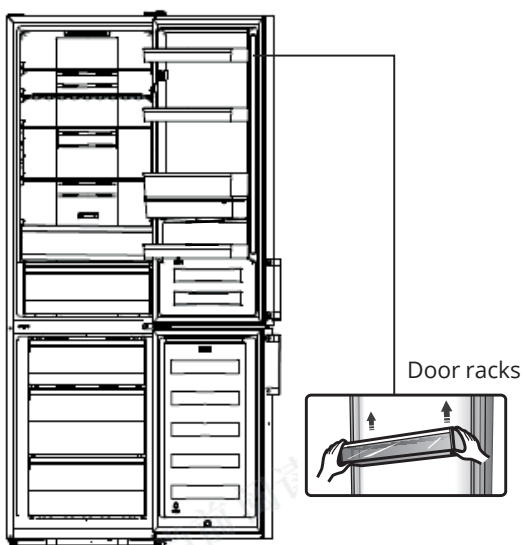
#### **Warning!**

When changing the door, the appliance must not be connected to the power supply. Make sure that the plug is unplugged.

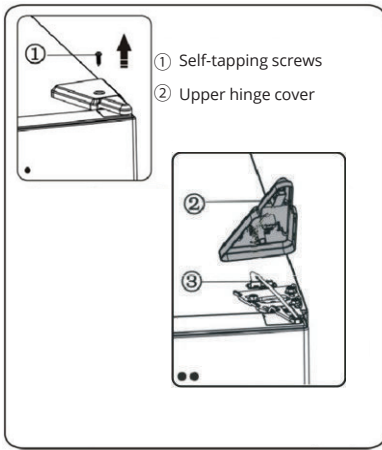
#### Tools you will need

Not provided	
	
<b>8mm socket wrench</b>	<b>Thin-blade screwdriver</b>
	
<b>Cross-shaped screwdriver</b>	<b>8mm wrench</b>

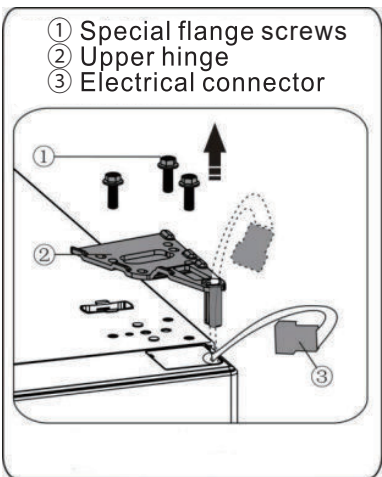
- If it's necessary, you can place the refrigerator horizontally on its back to access the base. You should rest it on foam packing material or similar material to avoid damage to the back of the refrigerator. To reverse the door, the following steps are recommended.



1. Stand the refrigerator upright. Open the top door, remove all shelves (to avoid damage) and close the door again.



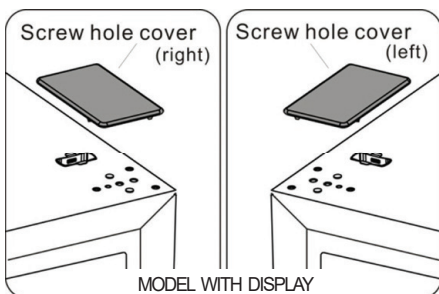
2. Remove the screw (1) and then remove the cover (2) from the upper right side.



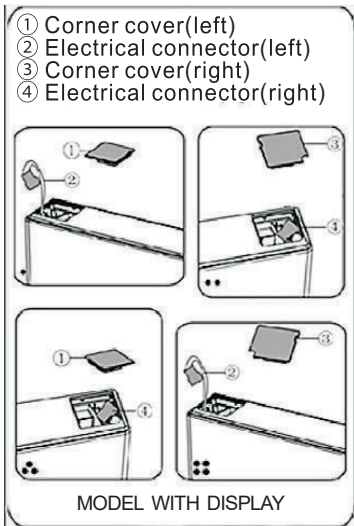
3. Remove the screws (1) and then remove the cover (2). Because the refrigerator has a screen on the door, you must pass the connector through the hinge hole (When installing, hold the door by hand.).



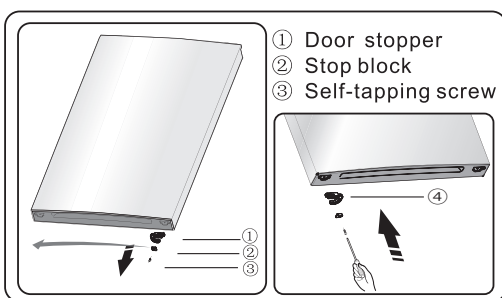
4. Remove the top door from the middle hinge by lifting it vertically with care. Then place the top door on a smooth surface with its outer surface facing upwards.



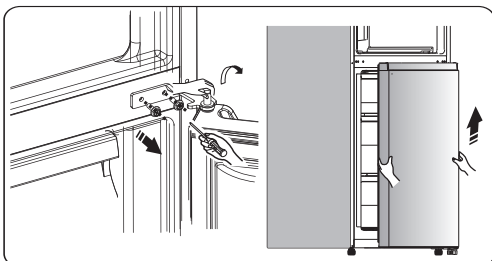
5. Place the cover (1) (supplied in the plastic bag) on the top right side. Then remove the cover (2) from the top left side of the device and place it inside the plastic bag.



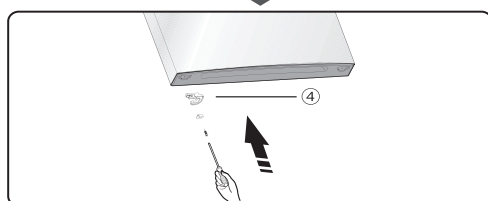
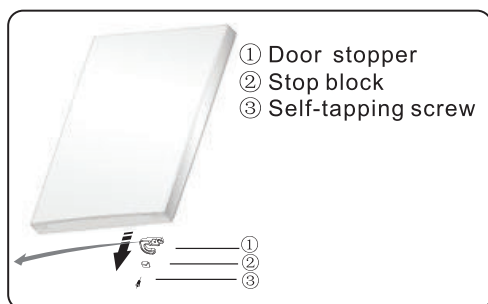
6. Remove the cover (1) from the upper left side of the upper door and remove the connector (2). Remove the cover (3) from the right side and insert the connector (4) inside, reinstall the cover (1) and (3).



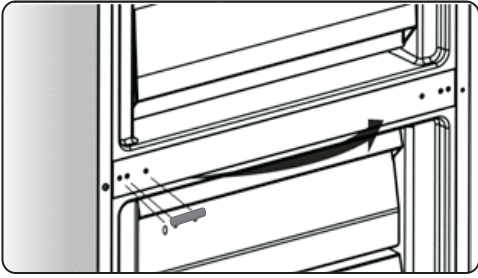
7. Unscrew the screw (3) and remove the fitting (2) and the fitting (1). Insert door-stop-left (4) and door-stop-left (5) (supplied in the plastic bag) on the left side with screw (3). Keep the accessory (1) and accessory (2) together with the device for future reference.



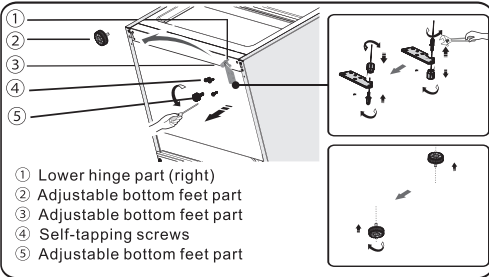
8. Use the Allen wrench and the cross wrench to unscrew the screws and remove the middle hinge. Then remove the bottom door.



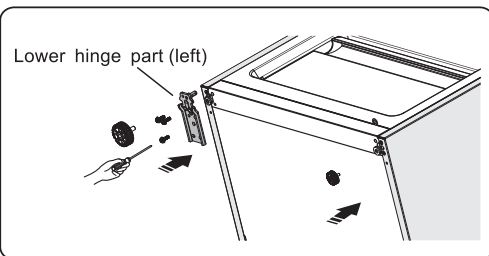
9. Place the lower door on a smooth surface with the outer surface facing upwards. Unscrew the screw (3) and remove the fitting (2) and the fitting (1). Then place the door-stop-left (4) and door-stop-left (5) (supplied in the plastic bag) on the left side and secure them with the screw (3). Keep the accessory with the device for future reference



10. Move the screw hole covers located on the middle plate from left to right (as shown in the picture below).



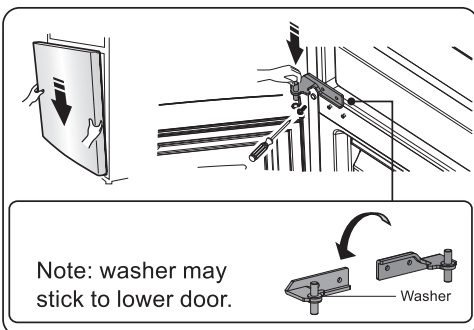
11. Place the refrigerator on foam packing material or similar material.



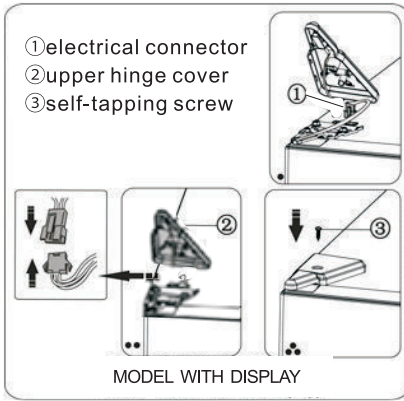
12. Remove the fitting (3) from the bottom hinge, loosen the bottom hinge, change it to the reverse position and then tighten it in place, then install the fitting (3) from the bottom hinge.

13. Replace the items you reinstalled in step 11, install the bottom hinge fitting (1) on the left side and secure it with the special screws (4).

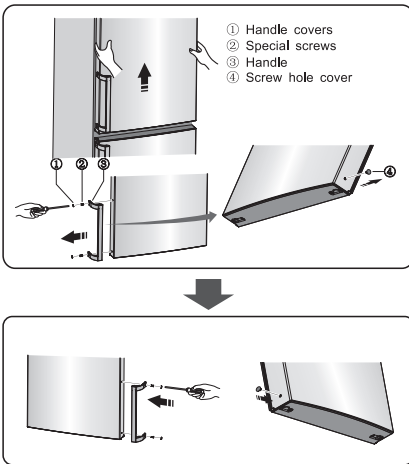
Insert the fitting (2) last.



14. Carefully slide the lower door onto the pin of the lower hinge and hold it in place. Turn the middle hinge 180°, change the washer on the shaft on the underside, adjust the middle hinge to the proper position, and then install it ensuring the bottom door is properly positioned.



15. Attach the connector (1) as shown, and then fix the cover (2) with the screws (3) following Step 2.



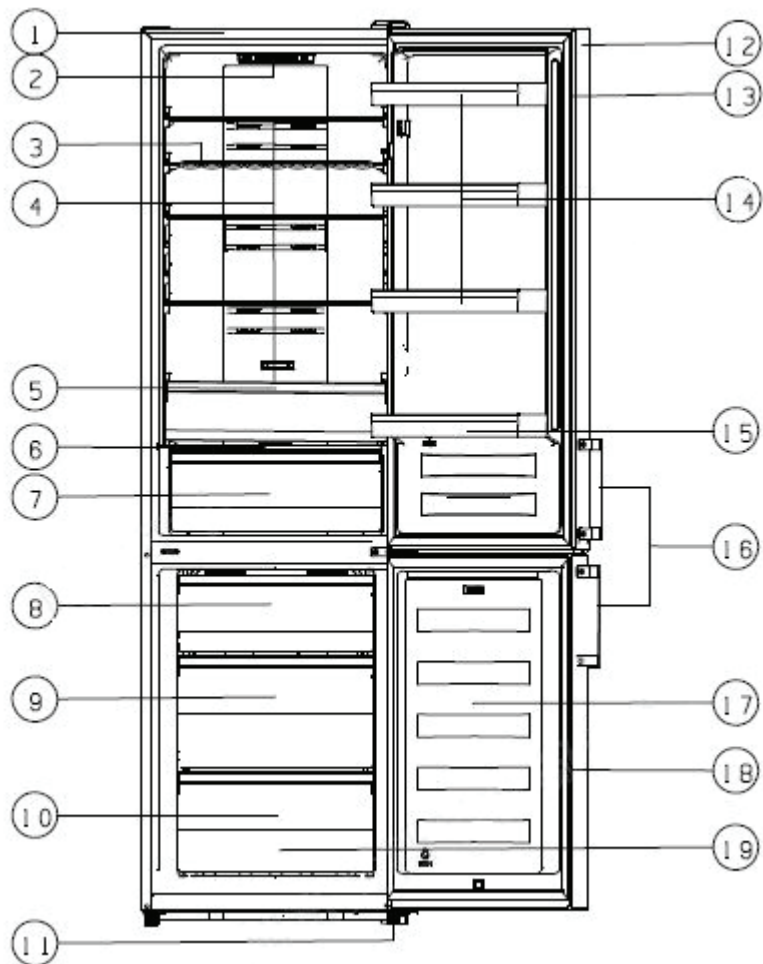
16. Open the top door, insert the door shelves, and close it.

**Note:**

If your appliance has an external handle, you will need to change the time on this as well according to the instructions below. Place the bottom door on a smooth surface with the outer surface facing up. Remove the protective plugs 1 & 4 and then unscrew the screws (2) as shown in the picture below. Change the handle to the correct side and replace the screws (2) and protective plugs 1 & 4 respectively.

## 4. DESCRIPTION OF THE APPLIANCE

1. Cabinet
2. LED light
3. Wine shelf(alternative)
4. Glass shelves
5. Upper crisper
6. Crisper cover
7. Lower Crisper
8. Upper drawer
9. Middle drawer
10. Lower drawer
11. Adjustable feet
12. Refrigerator door
13. Refrigerator door gasket
14. Upper rack(X3)
15. Middle rack
16. Handle
17. Freezer door
18. Freezer door gasket
19. Accessories



### Attention:

- Due to the continuous modification of our products, some parts of your refrigerator may differ slightly from what is indicated above.
- If you need more space, you can move the drawers (cooling only). For the best energy efficiency of the refrigerator, it is advisable to place both the shelves and the drawers in their original position as illustrated above.

## 5. OPERATION OF THE DEVICE

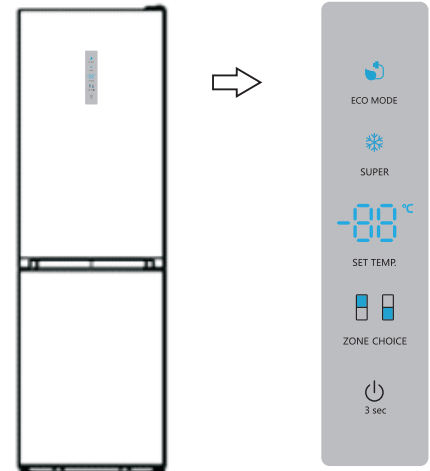
We recommend that you use the device according to the instructions listed below. When you start your refrigerator for the first time, the temperature of the maintenance chamber is set to 4°C. If you want to change the temperature, follow the instructions below.

**Note:** A high temperature setting will result in more immediate food spoilage

### Temperature control

#### Attention!

When you set a temperature, you are setting an average temperature for the entire refrigerator compartment. The temperature inside each compartment may differ from the temperature shown in the table, depending on the amount of food and the position in which it is placed. The ambient temperature may also affect the actual temperature inside the appliance.



#### Fridge compartment.

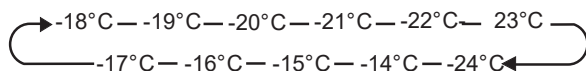
Press "ZONE CHOICE" the "■" light turn on.

Then press "SET TEMP" to set the desired temperature between 2°C and 8°C as required. The display panel will show the corresponding values according to the following sequence.



#### Freezer

Press "ZONE CHOICE" the "■" light turn on. Then press "SET TEMP" and you can set the temperature between -14°C and -24°C as required.



#### Super Freeze (❄)

The Super Freeze function quickly reduces the temperature in the freezer and food freezes faster. This preserves the vitamins and nutrients in fresh food and keeps food fresh for longer.

- You can press SUPER to start the super freezer function.
- When the super freezer mode is selected, the light comes on and the freezer temperature is set to -24°C.
- In case you want to freeze the maximum amount of food, wait for about 24hours.
- The Super freeze function is automatically deactivated after 52 hours and then the freezer temperature returns to the previous setting.



## **Eco energy**

With this mode, the freezer operates in an energy-saving program, which is useful for reducing energy consumption when you're not around.

- You can press "ECOMODE" to enter the economy mode
- When the energy saving mode is activated, the light comes on. The freezer temperature is set to -17°C and the temperature of the maintenance chamber is set to 6°C.

## **On/Off switch**

You can switch your appliance on and off by pressing this button.

- Press  for 3 seconds. An acoustic signal is heard, the digital indicator "OFF" is displayed and the appliance is switched off.
- Press  for 3 seconds. An acoustic signal is heard, and the device is switched on.

## **Alarm Sound**

- When the door of the maintenance chamber or freezer remains open for more than 2 minutes, the door alarm sounds. The door alarm shall sound 3 times per minute and stop automatically after 8 minutes.
- To save energy, try not to leave the door open for too long when using the appliance. The door alarm can also be stopped by closing the door.

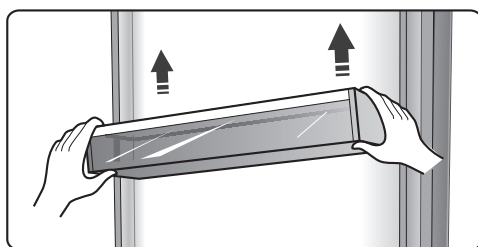


## 6. USE OF YOUR DEVICE

Your device is equipped with various accessories as described in the 'DEVICE DESCRIPTION' section and this section describes the best to use it. We recommend you to read the following carefully before using your device.

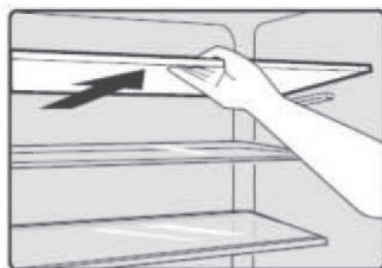
### Door shelf

- Suitable for storing eggs, soft drinks, beverages, and packaged food, etc. Do not place very heavy items on the door shelves.
- Door shelves can be placed at various heights according to your requirements. Before lifting the shelf to change its position, remove the food items.



### Shelf in the maintenance Compartment

1. The maintenance compartment has shelves that can be removed for cleaning.



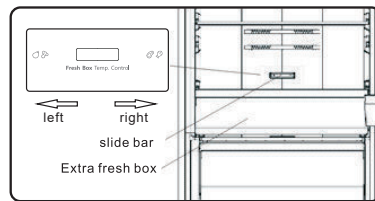
### Fresh box

In this drawer you can have a lower temperature for storing fish, meat and other perishable foods. Its temperature should be 2°C lower than the rest of the refrigerator. You can move the bar to the right or left to adjust the temperature. The table below gives some suggestions that you can follow.

Fridge Temp. Set	Slide Bar	Food	Maximum Period of Storage
2°C	Right	Fish& Meat	<3 Days
5°C	Right	Fruit	<2 Days
8°C	Right	Vegetables	<5 Days

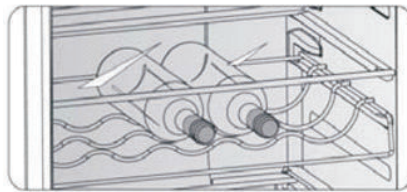
## Notes:

Depending on the ambient temperature of the appliance and the temperature setting we have selected, it contributes to the temperature of the Fresh box drawer. The temperature from the drawer can drop below 0°C, so it is natural that ice will form.



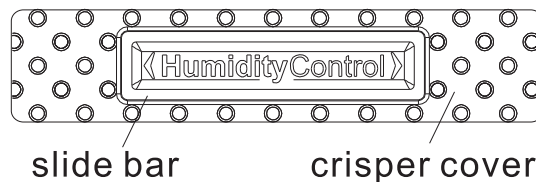
## Flexible winerack

- This shelf is specially designed for bottles of wine or soft drinks and can be removed for cleaning.



## Crisper cover

- This cover helps to maintain the temperature of the room and the humidity of the vegetables.
- You can adjust the sliding bar at the top of the cover. So, if you move it to the left, you will have more humidity for proper storage of fruits and vegetables and to the right for less humidity.



## Fruit and vegetable crisper

- The refrigerator's fruit and vegetable drawer provide moisture and prevents food from drying out

## Freezer drawer

Can be used for storing foods that need to be frozen, such as meat, fish, ice cream, etc.

## 7. USEFUL HINTS AND TIPS

### Energy saving tips

We suggest you follow the following tips to save energy.

- Try not to leave the door open for long periods of time.
- Make sure that the appliance is away from heat sources (direct sunlight, electric oven, or hob, etc.)
- Do not set the temperature lower than necessary.
- Do not place hot food or liquids in the appliance.
- Place the appliance in a room with good ventilation and free of moisture. Refer to the chapter Installation of your new appliance for further advice.
- If the diagram shows the correct combination of drawers, fruit bowl and shelves, do not change the combination as this is the most energy efficient configuration.

### Tips for fresh food refrigeration

- Do not place hot food directly into the refrigerator or freezer as this will increase the internal temperature causing the compressor to run more vigorously thus consuming more energy.
- Cover or wrap food, especially if it has a strong smell.
- Position food correctly so that air can circulate freely around it.

### Tips for refrigeration

- Meat (all types) Wrap it in food film and place it on the glass shelf above the vegetable drawer. Always observe the food storage times and expiration dates recommended by the manufacturers.
- Cooked foods, cold dishes, etc.: They should be covered so that they can be placed on any shelf.
- Fruits and vegetables: Should be kept in the special drawer provided.
- Butter and cheeses: Should be wrapped in foil or airtight film.
- Milk bottles: Should have a lid and be kept on door shelves.

### Tips for freezer

- On first start-up or after a period of non-use, before placing food in the chamber, allow the appliance to run for at least 2 hours on the highest setting.
- Divide food into small portions so that it can be quickly and completely frozen and so that you can defrost only the amount you need.
- Wrap food in foil or plastic wrap and make sure the packages are airtight.
- Fresh, unfrozen food should not touch the already frozen food to prevent the temperature of the already frozen food from rising.
- Frozen products, if eaten immediately after removal from the freezer compartment, may cause ice burns to the skin.
- It is recommended that you note the contents and date of each frozen package so that you can keep track of the storage time

### Tips for storing frozen food

- Ensure that commercial frozen products have been properly stored by the retailer.
- Once thawed, food spoils quickly and cannot be refrozen.
- Do not exceed the storage period indicated by the food manufacturer.

## Switching off the appliance

If the appliance must be switched off for an extended period, the following measures should be taken to prevent mold growth in the appliance.

1. Remove all food.
2. Unplug the power plug from the outlet.
3. Clean and dry the inside of the appliance thoroughly.
4. Make sure all doors are slightly open to allow air to circulate.

## 8. CLEANING AND CARE

For hygiene reasons, the interior of the appliance, including the internal accessories, should be cleaned regularly. The appliance shall be cleaned and maintained at least every two months.

### **Warning!**

During cleaning, the appliance must not be connected to the power supply. Before cleaning, switch off the appliance and remove the plug from the power supply or turn off the fuse or the general power switch.

### **External cleaning**

- Spray the cleaning cloth with water, not the surface of the appliance. This distributes moisture evenly over the surface.
- Clean the doors, handles and surfaces with a mild detergent and then dry with a soft cloth.

### **Warning!**

- Do not use sharp objects as they may scratch the surface.
- Do not use solvents, car detergents, bleach, essential oils, abrasive cleaners or organic solvents such as petrol for cleaning. They may damage the surface of the appliance and cause a fire.

### **Interior Cleaning**

You should clean the inside of the device regularly. Cleaning is easier and more practical when there is little food stored. You can remove the drawers and shelves for more thorough cleaning. Wipe the inside of the freezer with a dilute solution of water and baking soda, then rinse with lukewarm water and a wrung-out sponge or cloth. Wipe and dry completely before reinstalling the shelves and baskets. Thoroughly dry all surfaces and removable accessories before putting them back in place.

Although this appliance has automatic defrosting, a layer of ice may appear on the inside walls of the freezer if you open the door frequently or keep it open for a long time. If the ice layer is very thick, select a time when the freezer is almost empty and proceed as follows:

1. Remove food and baskets, unplug the appliance, and leave the doors open. Ventilate the room well to speed up the process.
2. When defrosting is complete, clean the freezer as described above.

 **Warning!**

- Do not use sharp objects to remove ice from the freezer. The appliance can only be reconnected to the power supply and switched on after the interior is completely dry.

### **Cleaning door seals**

Ensure that the door seals are kept clean. Sticky foods and drinks can cause the seals to stick to the frame and tear when open the door. Wash the seals with a mild detergent and lukewarm water. Rinse and dry them thoroughly after cleaning.

 **Warning!**

The appliance can only be switched on again after the door seals are completely dry.

### **Replacing the LED lamp**

 **Warning!**

The LED light must not be replaced by the user! If the LED light is damaged, contact the customer helpline for assistance.

## 9. TROUBLESHOOTING

If you are experiencing a problem with your appliance or if you are concerned that the appliance is not working properly, you can carry out a few easy checks before calling for service. See below. Before you call for service, you can carry out some easy checks according to this section.

### **Warning!**

Do not attempt to repair the appliance yourself. If, after performing the following checks, the problem persists, contact a professional electrician, an authorized service engineer, or the store where you purchased the product.

Problem	Possible cause & Solution
Appliance is not working correctly	<ul style="list-style-type: none"> <li>• Check whether the power cord is plugged into the power outlet properly.</li> <li>• Check the fuse or circuit of your power supply and replace if necessary.</li> <li>• It is normal that the freezer is not operating during the defrost cycle, or for a short time after the appliance is switched on to protect the compressor.</li> </ul>
Odors from the compartments	<ul style="list-style-type: none"> <li>• The interior may need to be cleaned.</li> </ul> <p>Some food, food box or wrapping cause odors.</p>
Noise from the appliance	<p>The sounds below are quite normal:</p> <ul style="list-style-type: none"> <li>• Compressor running noises.</li> <li>• Air movement noise from the small fan motor in the freezer compartment or other compartments.</li> <li>• Gurgling sound like water boiling.</li> <li>• Popping noise during automatic defrosting.</li> <li>• Clicking noise before the compressor starts.</li> </ul> <p>Other unusual noises are due to the reasons below and may need you to check and take action:</p> <ul style="list-style-type: none"> <li>• The cabinet is not level.</li> <li>• The back of appliance touches the wall.</li> <li>• Bottles or containers fallen or rolling.</li> </ul>
The motor runs continuously	<ul style="list-style-type: none"> <li>• It is normal sometimes to hear the sound of the motor. It will need to run more when in following circumstances: Temperature setting is set colder than necessary Large quantity of warm food has recently been stored within the appliance.</li> <li>• The temperature outside the appliance is too high. Doors are kept open too long or too often. After your installing the appliance or it has been switched off for a long time.</li> </ul>

Problem	Possible cause & Solution
A layer of frost occurs in the compartment	<ul style="list-style-type: none"> <li>• Check that the air outlets are not blocked by food and ensure food is placed within the appliance to allow sufficient ventilation. Ensure that door is fully closed. To remove the frost, please refer to the “Cleaning and care” chapter.</li> </ul>
Temperature inside is too warm	<ul style="list-style-type: none"> <li>• You may have left the doors open too long or too frequently, or the doors are kept open by some obstacle, or the appliance is located with insufficient clearance at the sides, back and top.</li> </ul>
Temperature inside is too cold	<ul style="list-style-type: none"> <li>• Increase the temperature by following the “Display controls” chapter.</li> </ul>
Doors can't be closed easily	<ul style="list-style-type: none"> <li>• Check whether the top of the refrigerator is tilted back by 10-15mm to allow the doors to self-close, or if something inside is preventing the doors from closing.</li> </ul>
Water drips on the floor	<ul style="list-style-type: none"> <li>• The water pan (located at the rear bottom of the cabinet) may not be properly leveled, or the draining spot under neath the top of the compressor pot may not be properly positioned to direct water into this pan, or the water spot is blocked. You may need to pull the refrigerator away from the wall to check the pan and spot.</li> <li>• Check if the refrigerator is power-off for a long time, this may cause the ice in the bucket to melt into water, and flow to the floor.</li> </ul>
The light is not working	<ul style="list-style-type: none"> <li>• The LED light may be damaged. To replace LED lights refer to cleaning and care chapter.</li> <li>• The control system has disabled the lights due to the door being kept open too long, close and re-opens the door to reactivate the lights.</li> </ul>

## 10. DISPOSAL OF THE DEVICE

It is prohibited to dispose of household appliances in household waste.

### Packaging materials

Packaging materials with the recycling symbol are recyclable. Dispose of the packaging in a suitable collection container for recycling.

### Before disposing of the appliance:

1. Remove the plug from the power supply outlet.
2. Cut off the power cord and discard the power cord.

### Warning!

Refrigerators contain refrigerant and gases in the insulation. The refrigerant and gases must be disposed of by professionals, as they may cause eye injury or ignition. Ensure that the refrigerant circuit piping is not damaged before properly disposing of the appliance.



### CORRECT DISPOSAL OF THE APPLIANCE

The symbol on the product or its packaging indicates that the product should not be treated as household waste. The product should be delivered to an appropriate collection point for recycling of its electrical and electronic components. The correct disposal of the product contributes to avoiding possible negative consequences for the environment and human health, which could be caused by incorrect disposal of the product. For detailed information on the disposal and recycling of the product, please contact the municipal authorities, the collection services, or from the shop which you purchased the product.

### We recommend that you follow the instructions below to avoid waste of food:

- The doors are opened for a long time, which results to increase the temperature inside the appliance.
- Clean surfaces that come in contact with food or the drainage system at regular intervals.
- Raw meat and fish should be stored in suitable containers, so they do not come in contact with or drip into other food.
- The 2-star freezer is suitable for storing pre-frozen products, storing, or making ice cream and for making or keeping ice.
- 1, 2 and 3 star freezers are not suitable for freezing fresh food.



	Compartments Type	Storage temp. [°C]	Appropriate food
1	Fridge	+2°C - +8°C	Eggs, cooked food, packaged food, fruits and vegetables, dairy products, cakes, drinks and other foods which are not suitable for freezing.
2	(***)*-Freezer	-18°C	Seafood (fish, shrimps, shellfish) and meat products (recommended storing time is 3 months - nutritional value and taste will decrease over time), Unsuitable for freezing fresh foods.
3	***-Freezer	-18°C	Seafood (fish, shrimps, shellfish) and meat products (recommended storing time is 3 months - nutritional value and taste will decrease over time), Unsuitable for freezing fresh foods.
4	** -Freezer	-12°C	Seafood (fish, shrimps, shellfish) and meat products (recommended storing time is 2 months - nutritional value and taste will decrease over time), Unsuitable for freezing fresh foods.
5	*-Freezer	-6°C	Seafood (fish, shrimps, shellfish) and meat products (recommended storing time is 1 months - nutritional value and taste will decrease over time), Unsuitable for freezing fresh foods.
6	0-star	-6°C - 0°C	Fresh pork, beef, fish, chicken, partially packaged processed foods, etc. (Recommended to be consumed within the day, preferably within 3 days at most). Partially packaged/wrapped processed foods (foods that do not freeze)
7	Chill	-2°C - +3°C	Fresh/frozen pork, beef, chicken, freshwater products, etc. (7 days at a temperature below 0°C and at a temperature above 0°C recommended to be consumed within the day, preferably within 2 days at most). Seafood (at a temperature below 0 for 15 days, not recommended to be stored at a temperature above 0°C)
8	Fresh Food	0°C - +4°C	Fresh pork, beef, fish, chicken, cooked food, etc. (Recommended to eat within the same day, preferably no more than 3 days)
9	Wine	+5°C - +20°C	Red wine, white wine, sparkling wine etc.

**NOTE:** We recommend you store food in the correct refrigerator space, based on the correct storage temperature of the products you purchased.

- If the refrigerator is left empty for long periods of time, turn off, defrost, clean, dry and leave the door open to prevent mold growth inside the appliance.

---

All the pictures in the manual are for explanatory purposes only. The actual shape of the unit you purchased may be slightly different, but the operations and functions are the same. The company may not be held responsible for any misprinted information. The design and the specifications of the product for reasons, such as product improvement, are subject to change without any prior notice.

Please consult with the manufacturer at +30 211 300 3300 or with the Sales agency for further details. Any future updates to the manual will be uploaded to the service website, and it is advised to always check for the latest version.



Scan here to download the latest version of this manual.  
[www.inventorairconditioner.com/media-library](http://www.inventorairconditioner.com/media-library)

# Activate your Warranty

Follow the next quick steps to activate your warranty:

## STEP 1

Visit our website via the link:

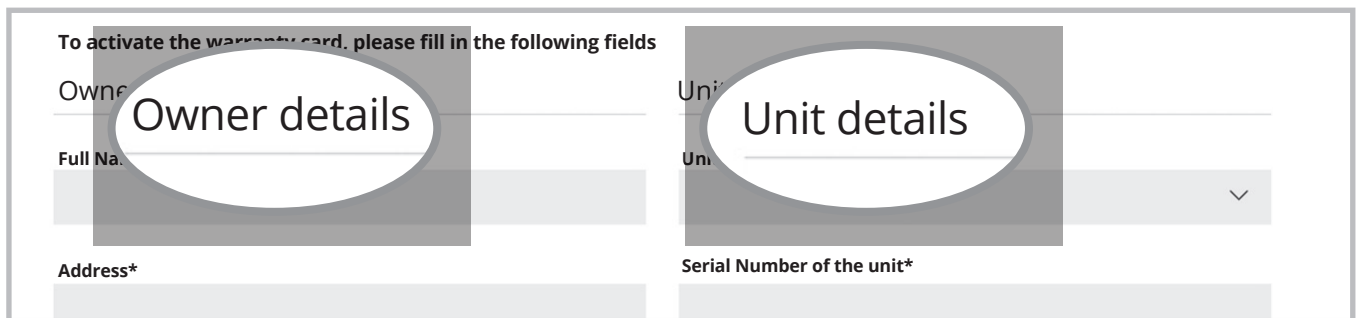
<https://www.inventorairconditioner.com/warranty-inventor>

or by scanning the QR code, as follows:



## STEP 2

Fill in the obligatory fields as requested in the "Owner's details" and "Unit's details":



To activate the warranty card, please fill in the following fields

Owner details

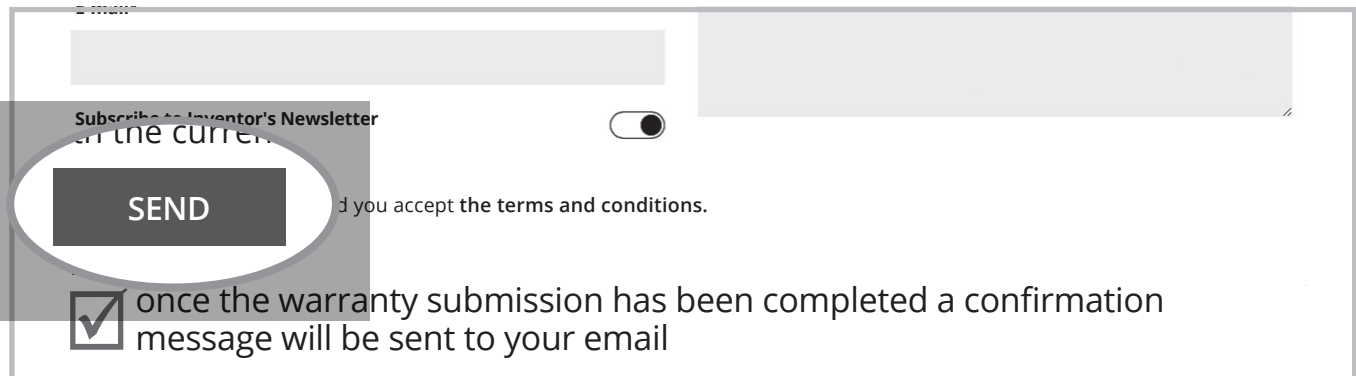
Unit details

Address\*

Serial Number of the unit\*

## STEP 3

Click SEND button at the end of the submission form:



Subscribe to Inventor's Newsletter

I accept the terms and conditions.

once the warranty submission has been completed a confirmation message will be sent to your email

SEND

## STEP 4

Wait for the confirmation email you will receive at the email address you have filled in - please also check your spam folder.

## STEP 5

Inventor warranty is now valid!

# ΠΕΡΙΕΧΟΜΕΝΑ

1. ΣΗΜΑΝΤΙΚΕΣ ΣΗΜΕΙΩΣΕΙΣ ΚΑΙ ΠΡΟΦΥΛΑΞΕΙΣ .....	29
ΠΛΗΡΟΦΟΡΙΕΣ ΑΣΦΑΛΕΙΑΣ ΚΑΙ ΠΡΟΕΙΔΟΠΟΙΗΣΕΙΣ .....	29
2. ΕΓΚΑΤΑΣΤΑΣΗ ΤΗΣ ΝΕΑΣ ΣΥΣΚΕΥΗΣ ΣΑΣ.....	33
3. ΑΝΤΙΣΤΡΟΦΗ ΦΟΡΑΣ ΑΝΟΙΓΜΑΤΟΣ ΤΗΣ ΠΟΡΤΑΣ.....	35
4. ΠΕΡΙΓΡΑΦΗ ΣΥΣΚΕΥΗΣ.....	40
5. ΛΕΙΤΟΥΡΓΙΑ ΤΗΣ ΣΥΣΚΕΥΗΣ .....	41
6. ΧΡΗΣΗ ΤΗΣ ΣΥΣΚΕΥΗΣ ΣΑΣ .....	43
7. ΧΡΗΣΙΜΕΣ ΥΠΟΔΕΙΞΕΙΣ ΚΑΙ ΣΥΜΒΟΥΛΕΣ.....	45
8. ΚΑΘΑΡΙΣΜΟΣ ΚΑΙ ΦΡΟΝΤΙΔΑ.....	47
9. ΑΝΤΙΜΕΤΩΠΙΣΗ ΠΡΟΒΛΗΜΑΤΩΝ .....	49
10. ΑΠΟΡΡΙΨΗ ΤΗΣ ΣΥΣΚΕΥΗΣ .....	51

# 1. ΣΗΜΑΝΤΙΚΕΣ ΣΗΜΕΙΩΣΕΙΣ ΚΑΙ ΠΡΟΦΥΛΑΞΕΙΣ

## ΠΛΗΡΟΦΟΡΙΕΣ ΑΣΦΑΛΕΙΑΣ ΚΑΙ ΠΡΟΕΙΔΟΠΟΙΗΣΕΙΣ

Για την ασφάλειά σας και για λόγους σωστής χρήσης, πριν από την εγκατάσταση και την πρώτη χρήση της συσκευής, διαβάστε προσεκτικά το παρόν εγχειρίδιο χρήσης, συμπεριλαμβανομένων των υποδείξεων και των προειδοποιήσεων. Για την αποφυγή λαθών και ατυχημάτων, είναι σημαντικό να διασφαλίσετε ότι όλα τα άτομα που χρησιμοποιούν τη συσκευή είναι πλήρως εξοικειωμένα με τη λειτουργία της και τα χαρακτηριστικά ασφαλείας που διαθέτει. Φυλάξτε αυτές τις οδηγίες και φροντίστε να συνοδεύσουν τη συσκευή σε περίπτωση που αυτή μετακινηθεί ή πωληθεί, έτσι ώστε οποιοσδήποτε χρήστης να είναι σωστά ενημερωμένος για τη χρήση και τις σημειώσεις ασφαλείας. Για την ασφάλεια ανθρώπινων ζώων και υλικών αγαθών, τηρείτε τις προφυλάξεις που περιέχονται στις παρούσες οδηγίες χρήσης, καθώς ο κατασκευαστής δεν φέρει καμία ευθύνη για ζημίες που προκύπτουν από την παράλειψη τήρησής τους.

### Ασφάλεια για παιδιά και ευάλωτα άτομα

- Σύμφωνα με το πρότυπο EN  
Η συσκευή αυτή δεν προορίζεται για χρήση από παιδιά κάτω των 8 ετών ή άτομα με μειωμένες σωματικές ή πνευματικές ικανότητες ή έλλειψη εμπειρίας και γνώσης χωρίς επίβλεψη, ή αν δεν τους έχουν δοθεί σαφείς οδηγίες σχετικά με την ασφαλή χρήση της συσκευής, ώστε να κατανοήσουν όλους τους πιθανούς κινδύνους. Τα παιδιά δεν πρέπει να παίζουν με τη συσκευή. Ο καθαρισμός και η συντήρηση δεν πρέπει να γίνονται από παιδιά χωρίς επίβλεψη. Παιδιά ηλικίας από 3 έως 8 ετών επιτρέπεται να τοποθετούν και να αφαιρούν τρόφιμα από ψυκτικές συσκευές.
- Σύμφωνα με το πρότυπο IEC  
Αυτή η συσκευή δεν προορίζεται για χρήση από άτομα (συμπεριλαμβανομένων παιδιών) με μειωμένες σωματικές, αισθητηριακές ή διανοητικές ικανότητες ή έλλειψη εμπειρίας και γνώσεων, εκτός αν επιβλέπονται ή έχουν λάβει οδηγίες σχετικά με τη χρήση της συσκευής από κάποιο άτομο που είναι υπεύθυνο για την ασφάλειά τους.
- Κρατήστε όλα τα υλικά συσκευασίας μακριά από παιδιά καθώς συνιστούν κίνδυνο ασφυξίας.
- Σε περίπτωση απόρριψης της συσκευής, βγάλτε το φινι από την πρίζα, κόψτε το καλώδιο τροφοδοσίας (όσο το δυνατόν πιο κοντά στη συσκευή) και αφαιρέστε την πόρτα για να αποτρέψετε την πιθανότητα ηλεκτροπληξίας ή εγκλωβισμού παιδιών που παίζουν στο εσωτερικό της συσκευής.
- Αν αυτή η συσκευή, η οποία διαθέτει μαγνητικά λάστιχα πόρτας, αντικαθιστά παλαιότερη συσκευή η οποία διαθέτει κλειδαριά ελατηρίου (μάνδαλο) στην πόρτα ή το καπάκι, βεβαιωθείτε ότι έχετε αχρηστεύσει την κλειδαριά ελατηρίου πριν απορρίψετε την παλιά συσκευή. Με αυτόν τον τρόπο δεν θα υπάρχει κίνδυνος να εγκλωβιστεί κάποιο παιδί στο εσωτερικό της.

### Γενική ασφάλεια

 **ΠΡΟΕΙΔΟΠΟΙΗΣΗ** — Αυτή η συσκευή προορίζεται για οικιακή χρήση.

- **ΠΡΟΕΙΔΟΠΟΙΗΣΗ** — Μην αποθηκεύετε εκρηκτικά υλικά όπως δοχεία αεροζόλ με εύφλεκτο προωθητικό μέσα σε αυτήν τη συσκευή.

- ΠΡΟΕΙΔΟΠΟΙΗΣΗ — Αν το καλώδιο ρεύματος έχει υποστεί ζημιά, πρέπει να αντικατασταθεί από τον κατασκευη, τον εξουσιοδοτημένο αντιπρόσωπο σέρβις ή αντίστοιχα εξειδικευμένο τεχνικό προκειμένου να αποφευχθεί οποιοσδήποτε κίνδυνος.
- ΠΡΟΕΙΔΟΠΟΙΗΣΗ — Διατηρείτε τα ανοίγματα εξαερισμού στο περίβλημα της συσκευής ή στην δομή εντοιχισμού ελεύθερα από κάθε εμπόδιο.
- ΠΡΟΕΙΔΟΠΟΙΗΣΗ — Μην χρησιμοποιείτε μηχανικές διατάξεις ή άλλα τεχνητά μέσα για να επιταχύνετε τη διαδικασία της απόψυξης, εκτός από εκείνα που συνιστά ο κατασκευαστής.
- ΠΡΟΕΙΔΟΠΟΙΗΣΗ — Μην προκαλείτε βλάβες στο ψυκτικό κύκλωμα.
- ΠΡΟΕΙΔΟΠΟΙΗΣΗ — Μην χρησιμοποιείτε ηλεκτρικές συσκευές μέσα στους θαλάμους αποθήκευσης τροφίμων της συσκευής, εκτός αν αυτές είναι του τύπου που συνιστά ο κατασκευαστής.
- ΠΡΟΕΙΔΟΠΟΙΗΣΗ — Το ψυκτικό μέσο και το αέριο μόνωσης είναι εύφλεκτα. Η απόρριψη αυτής της συσκευής γίνεται μόνο σε εξουσιοδοτημένο κέντρο διάθεσης απορριμμάτων. Μην την εκθέτετε σε φλόγα.
- ΠΡΟΕΙΔΟΠΟΙΗΣΗ — Κατά την τοποθέτηση της συσκευής, βεβαιωθείτε ότι το καλώδιο ρεύματος δεν θα παγιδευτεί ούτε θα υποστεί ζημιά.
- ΠΡΟΕΙΔΟΠΟΙΗΣΗ — Μην τοποθετείτε φορητά πολύπριζα ή φορητά τροφοδοτικά στο πίσω μέρος της συσκευής.

### Αντικατάσταση του λαμπτήρα LED

- ΠΡΟΕΙΔΟΠΟΙΗΣΗ — Ο λαμπτήρας LED δεν πρέπει να αντικατασταθεί από τον χρήστη! Αν ο λαμπτήρας LED έχει χαλάσει, επικοινωνήστε με τη γραμμή βοήθειας πελατών.

### Ψυκτικό μέσο

Το ψυκτικό ισοβουτάνιο (R600a) που περιέχεται στο ψυκτικό κύκλωμα της συσκευής, είναι ένα φυσικό αέριο με υψηλό επίπεδο περιβαλλοντικής συμβατότητας, και παρόλα αυτά εύφλεκτο. Κατά τη μεταφορά και την εγκατάσταση της συσκευής, διασφαλίστε ότι κανένα από τα μέρη του ψυκτικού κυκλώματος δεν θα υποστεί ζημιά.

Το ψυκτικό μέσο (R600a) είναι εύφλεκτο.

- ΠΡΟΕΙΔΟΠΟΙΗΣΗ — Τα ψυγεία περιέχουν ψυκτικό μέσο και αέρια στη μόνωση. Το ψυκτικό και τα αέρια πρέπει να απορρίπτονται από επαγγελματίες καθώς μπορεί να προκαλέσουν τραυματισμούς ματιών ή ανάφλεξη. Βεβαιωθείτε ότι η σωλήνωση του ψυκτικού κυκλώματος είναι άθικτη πριν απορρίψετε κατάλληλα τη συσκευή.



**ΠΡΟΕΙΔΟΠΟΙΗΣΗ! Κίνδυνος φωτιάς/εύφλεκτα υλικά. Σε περίπτωση ζημιάς στο ψυκτικό κύκλωμα:**

- Αποφύγετε τις γυμνές φλόγες και τις πηγές ανάφλεξης.
- Αερίστε καλά τον χώρο στον οποίο βρίσκεται η συσκευή.

Η αλλαγή των προδιαγραφών ή η τροποποίηση αυτού του προϊόντος με οποιονδήποτε τρόπο είναι επικίνδυνη. Οποιαδήποτε ζημιά στο καλώδιο μπορεί να προκαλέσει βραχυκύκλωμα, πυρκαγιά και/ή ηλεκτροπληξία.



### Ηλεκτρική ασφάλεια

- Το καλώδιο τροφοδοσίας δεν πρέπει να επιμηκυνθεί.
- Βεβαιωθείτε ότι το φως ρεύματος δεν έχει σπάσει ή υποστεί ζημιά. Ένα σπασμένο φως ή φως που έχει υποστεί ζημιά μπορεί να υπερθερμανθεί και να προκαλέσει πυρκαγιά.
- Βεβαιωθείτε ότι έχετε πρόσβαση στο κύριο φως της συσκευής.

- Μην τραβάτε το καλώδιο ρεύματος.
- Αν η πρίζα παροχής ρεύματος είναι χαλαρή, μην τοποθετήσετε το φικς. Υπάρχει κίνδυνος ηλεκτροπληξίας ή πυρκαγιάς.
- Δεν πρέπει να λειτουργείτε τη συσκευή χωρίς το κάλυμμα του εσωτερικού λαμπτήρα φωτισμού.
- Το ψυγείο λειτουργεί μόνο με μονοφασικό εναλλασσόμενο ρεύμα των 220~240V/50Hz. Αν η διακύμανση της τάσης στην περιοχή κατοικίας του χρήστη είναι τόσο μεγάλη που η τάση υπερβαίνει το παραπάνω εύρος, φροντίστε να τοποθετήσετε έναν αυτόματο ρυθμιστή τάσης AC άνω των 350W στο ψυγείο. Το ψυγείο πρέπει να χρησιμοποιεί ειδική πρίζα παροχής ρεύματος και όχι κάποια κοινή με άλλες ηλεκτρικές συσκευές. Το φικς της πρέπει να χρησιμοποιείται σε γειωμένη πρίζα παροχής ρεύματος.

## Καθημερινή χρήση

- Μην αποθηκεύετε εύφλεκτα αέρια ή υγρά στη συσκευή, καθώς υπάρχει κίνδυνος έκρηξης.
- Μην λειτουργείτε καμία ηλεκτρική συσκευή μέσα στη συσκευή (π.χ. ηλεκτρικές παγωτομηχανές, μίξερ, κ.λπ.).
- Όταν αποσυνδέετε τη συσκευή από το ρεύμα, να τραβάτε πάντα το φικς από την πρίζα και όχι το καλώδιο.
- Μην τοποθετείτε ζεστά αντικείμενα κοντά στα πλαστικά εξαρτήματα αυτής της συσκευής.
- Μην τοποθετείτε προϊόντα τροφίμων απευθείας στην έξοδο αέρα στον πίσω τοίχο.
- Φυλάσσετε τα προ-συσκευασμένα κατεψυγμένα τρόφιμα σύμφωνα με τις οδηγίες του παρασκευαστή τους.
- Οι συστάσεις αποθήκευσης του κατασκευαστή της συσκευής πρέπει να τηρούνται αυστηρά. Ανατρέξτε στις σχετικές οδηγίες αποθήκευσης.
- Μην τοποθετείτε ανθρακούχα ποτά στον θάλαμο κατάψυξης καθώς δημιουργείται πίεση μέσα στον περιέκτη, ο οποίος μπορεί να εκραγεί, καταλήγοντας σε ζημιά στη συσκευή.
- Τα κατεψυγμένα τρόφιμα μπορεί να προκαλέσουν έγκαυμα από πάγο αν καταναλωθούν απευθείας από την κατάψυξη.
- Μην τοποθετείτε τη συσκευή σε άμεσο ηλιακό φως.
- Κρατήστε αναμμένα κεριά, λυχνάρια και άλλα αντικείμενα με γυμνή φλόγα μακριά από τη συσκευή για να μην πάρει φωτιά η συσκευή.
- Η συσκευή προορίζεται για τη διατήρηση τροφίμων και/ή ποτών σε ένα συνηθισμένο νοικοκυριό, όπως εξηγείται στο παρόν φυλλάδιο οδηγιών. Η συσκευή έχει μεγάλο βάρος. Δείξτε τη δέουσα προσοχή όταν την μετακινείτε.
- Μην βγάζετε και μην αγγίζετε αντικείμενα από τον θάλαμο της κατάψυξης με χέρια υγρά/βρεγμένα, καθώς μπορεί να προκληθούν εκδορές ή εγκαύματα από πάγο στο δέρμα.
- Ποτέ μην χρησιμοποιείτε τη βάση, τα συρτάρια, τις πόρτες, κ.λπ. ως στηρίγματα.
- Τα κατεψυγμένα τρόφιμα δεν πρέπει να επαναψύχονται αφότου έχουν αποψυχθεί.
- Μην καταναλώνετε γρανίτες ή παγάκια απευθείας από την κατάψυξη καθώς μπορεί να προκληθούν εγκαύματα λόγω πάγου στο στόμα και τα χείλη.
- Μην υπερφορτώνετε τα ράφια πόρτας ή τις φρουτολεκάνες, για να αποφύγετε την πτώση αντικειμένων και την πρόκληση τραυματισμών ή ζημιάς στη συσκευή.
- **ΠΡΟΕΙΔΟΠΟΙΗΣΗ** - Τα τρόφιμα πρέπει να συσκευάζονται σε σακούλες πριν τοποθετηθούν στο ψυγείο. Τα υγρά πρέπει να φυλάσσονται σε μπουκάλια ή δοχεία με πώμα για να μην χυθούν, καθώς ο καθαρισμός της δομής του προϊόντος δεν είναι εύκολος.

## **Φροντίδα και καθαρισμός**

- Πριν προβείτε στη συντήρηση, απενεργοποιήστε τη συσκευή και βγάλτε το φως από την πρίζα.
- Μην καθαρίζετε τη συσκευή με μεταλλικά αντικείμενα, συσκευές καθαρισμού με ατμό, αιθέρια έλαια, οργανικούς διαλύτες ή λειαντικά καθαριστικά.
- Μην χρησιμοποιείτε αιχμηρά αντικείμενα για να αφαιρέσετε τον πάγο από τη συσκευή. Χρησιμοποιήστε μια πλαστική ξύστρα. Σημαντικές σημειώσεις για την εγκατάσταση!
- Για τη σωστή και ασφαλή ηλεκτρική σύνδεση, ακολουθήστε τις οδηγίες που παρέχει το παρόν εγχειρίδιο.
- Αποσυνεχάστε τη συσκευή και ελέγξτε για τυχόν ζημιές. Μην συνδέσετε τη συσκευή αν έχει ζημιά. Αναφέρετε αμέσως τις πιθανές ζημιές στο κατάστημα αγοράς. Σε αυτήν την περίπτωση, φυλάξτε τη συσκευασία.
- Συνιστάται να περιμένετε τουλάχιστον τέσσερις ώρες πριν συνδέσετε τη συσκευή, ώστε το λάδι να επιστρέψει στον συμπιεστή.
- Θα πρέπει να υπάρχει επαρκής κυκλοφορία αέρα γύρω από τη συσκευή προς αποφυγή υπερθέρμανσης. Για την επίτευξη επαρκούς αερισμού, ακολουθήστε τις οδηγίες που αφορούν την εγκατάσταση. Όπου είναι εφικτό, η πίσω πλευρά του προϊόντος δεν πρέπει να είναι πολύ κοντά σε τοίχο ώστε να αποτρέπεται η επαφή με θερμά εξαρτήματα (συμπιεστής, συμπυκνωτής) και κατά συνέπεια η πιθανότητα πυρκαγιάς. Ακολουθήστε τις οδηγίες σχετικά με την εγκατάσταση.
- Η συσκευή δεν πρέπει να τοποθετείται κοντά σε καλοριφέρ ή εστίες.
- Βεβαιωθείτε ότι το φως ρεύματος είναι προσβάσιμο μετά την εγκατάσταση της συσκευής

## **Επισκευή και σέρβις**

- Όλες οι ηλεκτρικές εργασίες που απαιτούνται για το σέρβις της συσκευής πρέπει να εκτελούνται από επαγγελματία ηλεκτρολόγο ή αρμόδιο άτομο.
- Το σέρβις αυτού το προϊόντος πρέπει να εκτελείται από εξουσιοδοτημένο κέντρο σέρβις και να χρησιμοποιούνται μόνο γνήσια ανταλλακτικά.
  - 1) Αν η συσκευή είναι Frost Free (χωρίς πάγο).
  - 2) Αν η συσκευή περιλαμβάνει θάλαμο κατάψυξης.



## 2. ΕΓΚΑΤΑΣΤΑΣΗ ΤΗΣ ΝΕΑΣ ΣΥΣΚΕΥΗΣ ΣΑΣ

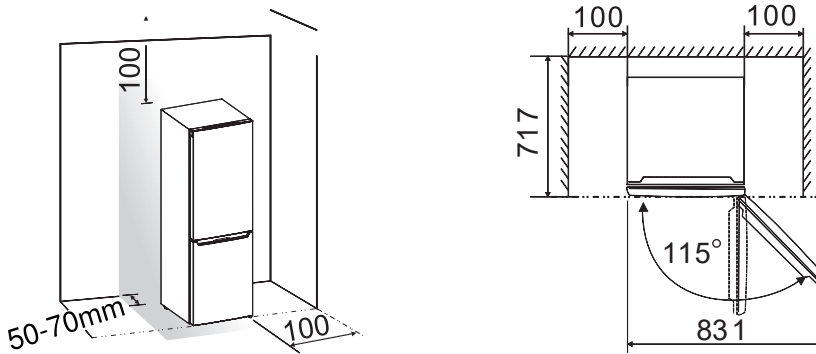
- Πριν χρησιμοποιήσετε τη συσκευή για πρώτη φορά, θα πρέπει να διαβάσετε τις παρακάτω συμβουλές.

### Εξαερισμός της συσκευής

Για τη βελτίωση της απόδοσης του ψυκτικού συστήματος και για την εξοικονόμηση ενέργειας, απαιτείται καλός αερισμός γύρω από τη συσκευή για τον διασκορπισμό της θερμότητας. Για τον λόγο αυτό, απαιτείται επαρκής κενός χώρος γύρω από το ψυγείο.

**Υπόδειξη:** Συνιστάται κενός χώρος 50-70 χλστ. από την πλάτη της συσκευής μέχρι τον τοίχο, τουλάχιστον 100 χλστ. από την κορυφή της, τουλάχιστον 100 χλστ. από τις πλευρές μέχρι τον τοίχο και κενός χώρος στο μπροστινό μέρος που θα επιτρέπει το άνοιγμα των πορτών στις 115°.

Δείτε τα παρακάτω διαγράμματα.



### Σημείωση:

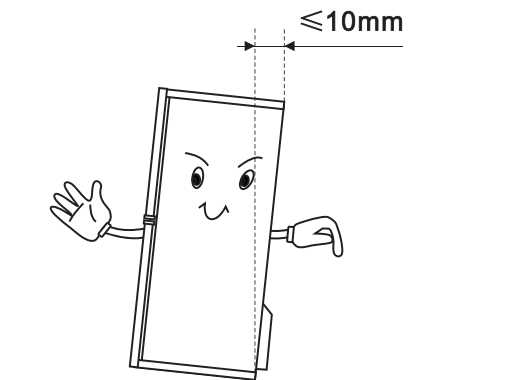
- Αυτή η συσκευή αποδίδει σωστά σε περιβάλλον κατηγορίας κλίματος SN έως ST. Ενδέχεται να μην λειτουργεί σωστά εάν παραμείνει σε θερμοκρασία υψηλότερη ή χαμηλότερη από την ενδεικνυόμενη περιοχή θερμοκρασίας για μεγάλο χρονικό διάστημα.

Κατηγορία	Θερμοκρασία
SN	+10°C έως +32°C
N	+16°C έως +32°C
ST	+16°C έως +38°C

- Τοποθετήστε τη συσκευή σας σε ξηρό χώρο για να αποφύγετε βλάβες από υγρασία.
- Κρατήστε τη συσκευή μακριά από άμεσο ηλιακό φως, βροχή ή παγετό.
- Τοποθετήστε τη συσκευή μακριά από πηγές θερμότητας όπως εστίες, τζάκια ή καλοριφέρ.

## Ευθυγράμμιση της μονάδας

- Για τη σωστή ευθυγράμμιση και την κυκλοφορία αέρα στο κάτω πίσω μέρος της συσκευής, μπορεί να απαιτείται ρύθμιση των κάτω ποδιών. Μπορείτε να τα ρυθμίσετε με τα δάχτυλά σας ή με ένα κατάλληλο κλειδί.
- Για να κλείνουν οι πόρτες μόνες τους, δώστε μία κλίση 10-15 χλστ. προς τα πίσω.



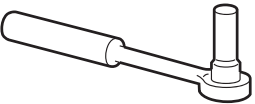
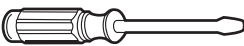
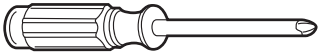

### 3. ΑΝΤΙΣΤΡΟΦΗ ΦΟΡΑΣ ΑΝΟΙΓΜΑΤΟΣ ΤΗΣ ΠΟΡΤΑΣ

Η πλευρά στην οποία ανοίγει η πόρτα μπορεί να αλλάξει από τα δεξιά (όπως παραδίδεται) στα αριστερά, σε περίπτωση που αυτό απαιτείται από τη θέση εγκατάστασης.

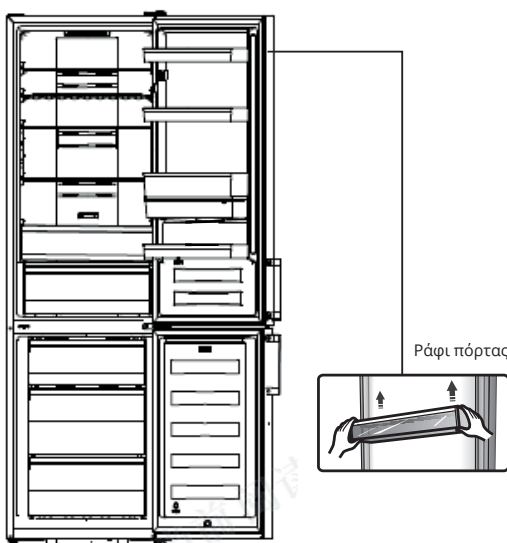
#### Προειδοποίηση!

Κατά την αλλαγή της πόρτας, η συσκευή δεν πρέπει να είναι συνδεδεμένη με την παροχή ρεύματος. Βεβαιωθείτε ότι έχετε βγάλει το φως από την πρίζα.

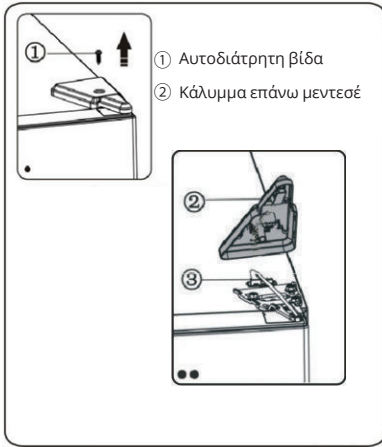
#### Εργαλεία που απαιτούνται.

Δεν παρέχονται	
	
Σωληνωτό κλειδί 8mm	Κατσαβίδι με λεπτή μύτη
	
Σταυροκατσαβίδο	Κλειδί 8mm

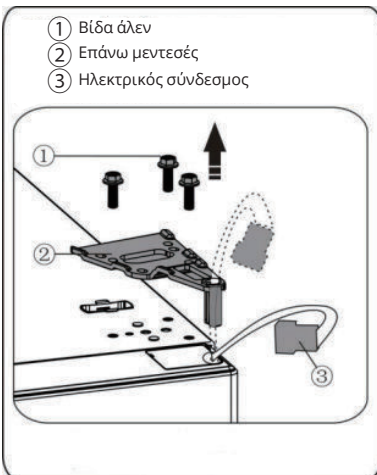
- Αν χρειάζεται, μπορείτε να τοποθετήσετε το ψυγείο οριζόντια στην πλάτη του για να αποκτήσετε πρόσβαση στη βάση. Θα πρέπει να το ακουμπήσετε πάνω σε αφρώδες υλικό συσκευασίας ή παρόμοιο υλικό για να αποφύγετε τις βλάβες στον πίσω μέρος του ψυγείου. Για να αντιστρέψετε την πόρτα, συνιστώνται τα εξής βήματα.



1. Στήστε το ψυγείο όρθιο. Ανοίξτε την επάνω πόρτα, αφαιρέστε όλα τα ράφια (προς αποφυγή ζημιάς) και κλείστε ξανά την πόρτα.



2. Αφαιρέστε τη βίδα (1) και μετά, βγάλτε το κάλυμμα (2) από την πάνω δεξιά πλευρά.



3. Αφαιρέστε τις βίδες (1) και μετά, βγάλτε το κάλυμμα (2). Επειδή το ψυγείο έχει οθόνη στην πόρτα, πρέπει να περάσετε το σύνδεσμο μέσα από την οπή του μεντεσέ (Κατά την εγκατάσταση, να κρατάτε την πόρτα με το χέρι.).



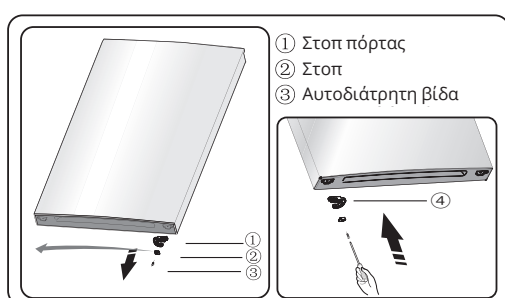
4. Αφαιρέστε την πάνω πόρτα από τον μεσαίο μεντεσέ ανασηκώνοντάς την κατακόρυφα με προσοχή. Στη συνέχεια, τοποθετήστε την πάνω πόρτα σε μια λεία επιφάνεια με την εξωτερική της επιφάνεια προς τα πάνω.



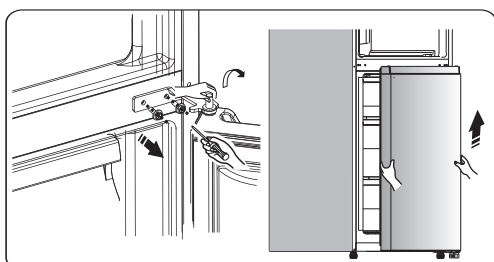
5. Τοποθετήστε το κάλυμμα (1) (παρέχεται στην πλαστική σακούλα) στην πάνω δεξιά πλευρά. Στη συνέχεια, αφαιρέστε το κάλυμμα (2) από την πάνω αριστερή πλευρά της συσκευής και βάλτε το μέσα στην πλαστική σακούλα.



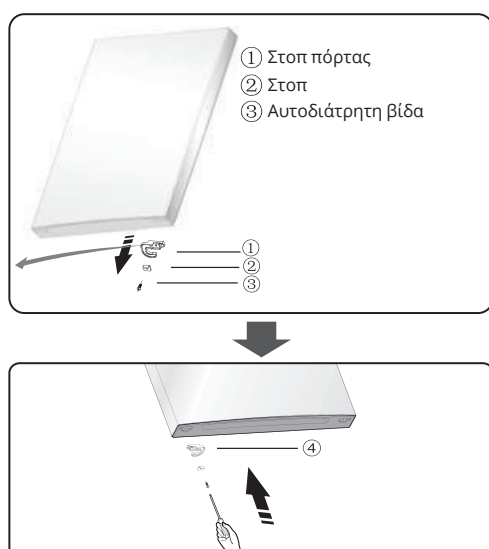
6. Αφαιρέστε το κάλυμμα (1) από την πάνω αριστερή πλευρά της πάνω πόρτας και βγάλτε τον σύνδεσμο (2). Αφαιρέστε το κάλυμμα (3) από τη δεξιά πλευρά και τοποθετήστε τον σύνδεσμο (4) στο εσωτερικό, επανατοποθετήστε το κάλυμμα (1) και (3).



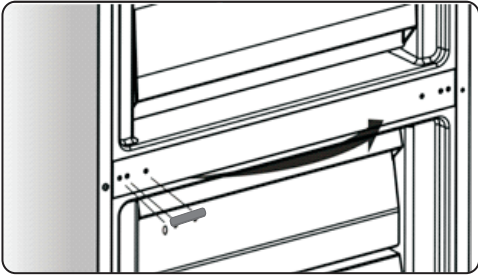
7. Ξεβιδώστε τη βίδα (3) και βγάλτε το εξάρτημα (2) και το εξάρτημα (1). Τοποθετήστε το στοπ πόρτας-αριστερό (4) και το στοπ-αριστερό (5) (παρέχονται στην πλαστική σακούλα) στην αριστερή πλευρά με τη βίδα (3). Κρατήστε το εξάρτημα (1) και το εξάρτημα (2) μαζί με τη συσκευή για μελλοντική αναφορά.



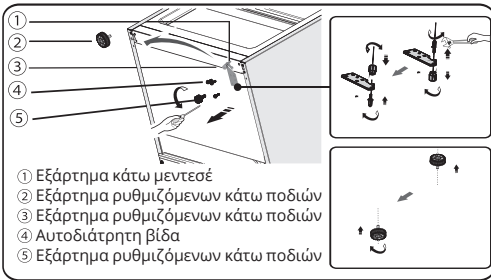
8. Χρησιμοποιήστε το κλειδί άλεν και το σταυροκατσάβιδο για να ξεβιδώσετε τις βίδες και αφαιρέστε τον μεταίιο μεντεσέ. Στη συνέχεια, αφαιρέστε την κάτω πόρτα.



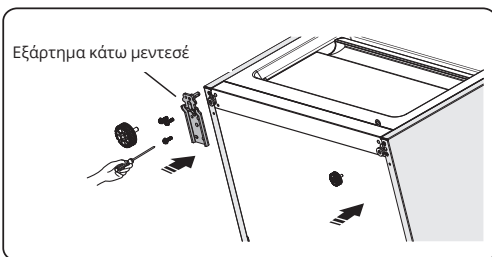
9. Τοποθετήστε την κάτω πόρτα σε μια λεία επιφάνεια με την εξωτερική της επιφάνεια προς τα πάνω. Ξεβιδώστε τη βίδα (3) και βγάλτε το εξάρτημα (2) και το εξάρτημα (1). Στη συνέχεια, τοποθετήστε το στοπ πόρτας-αριστερό (4) και το στοπ-αριστερό (5) (παρέχονται στην πλαστική σακούλα) στην αριστερή πλευρά και στερεώστε τα με τη βίδα (3). Κρατήστε το εξάρτημα μαζί με τη συσκευή για μελλοντική αναφορά.



10. Μετακινήστε τα καλύμματα οπών βίδας που βρίσκονται στο μεσαίο έλασμα από τα αριστερά στα δεξιά (όπως παρουσιάζεται στην εικόνα παρακάτω).



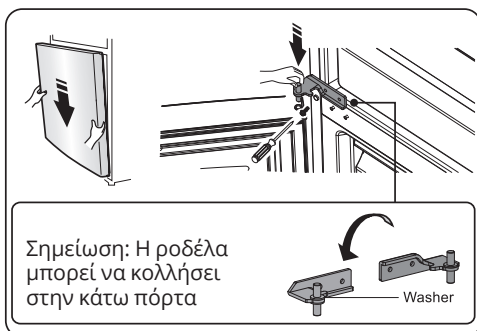
11. Ακουμπήστε το ψυγείο πάνω σε αφρώδες υλικό συσκευασίας ή παρόμοιο υλικό.



12. Αφαιρέστε το εξάρτημα (3) από το κάτω μέρος του μεντεσέ, χαλαρώστε τον κάτω μεντεσέ, αλλάξτε την στην αντίστροφη θέση και στη συνέχεια, σφίξτε τη στη θέση της, στη συνέχεια, εγκαταστήστε το εξάρτημα (3) από το κάτω μέρος του μεντεσέ.

13. Αντικαταστήστε τα στοιχεία που επανατοποθετήσατε στο βήμα 11, τοποθετήστε το εξάρτημα κάτω μεντεσέ (1) στην αριστερή πλευρά και στερεώστε το με τις ειδικές βίδες (4).

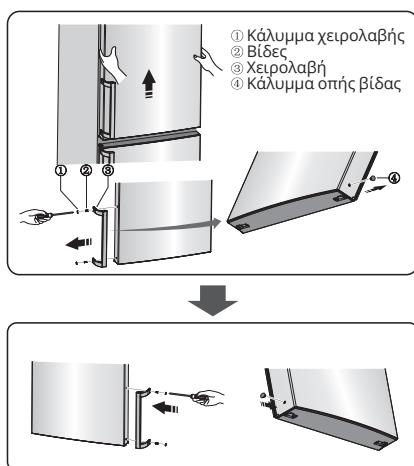
Τοποθετήστε το εξάρτημα (2) τελευταίο.



14. Προσεκτικά περάστε την κάτω πόρτα πάνω στον πείρο του κάτω μεντεσέ και κρατήστε την στη θέση της. Γυρίστε το μεσαίο μεντεσέ κατά 180°, αλλάξτε τη ροδέλα στον άξονα στην κάτω πλευρά, ρυθμίστε το μεσαίο μεντεσέ στην κατάλληλη θέση και στη συνέχεια, εγκαταστήστε το διασφαλίζοντας την σωστή τοποθέτηση της κάτω πόρτας.



15. Συνδέστε το σύνδεσμο (1) όπως απεικονίζεται, και έπειτα στερεώστε το κάλυμμα (2) με τις βίδες (3) ακολουθώντας το 2ο Βήμα.



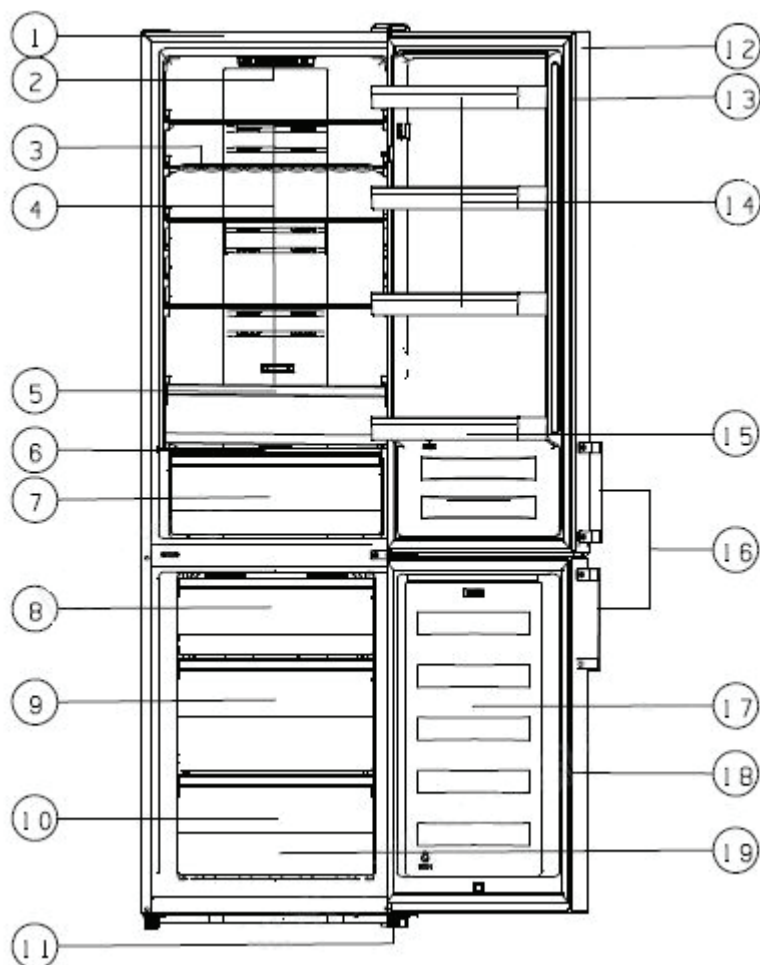
16. Ανοίξτε την πάνω πόρτα, τοποθετήστε τα ράφια πόρτας και κλείστε την.

### Σημείωση:

Εάν η συσκευή σας διαθέτει εξωτερική χειρολαβή, θα πρέπει να αλλαχθεί και σε αυτό η φορά σύμφωνα με τις παρακάτω οδηγίες. Τοποθετήστε την κάτω πόρτα σε μια λεία επιφάνεια με την εξωτερική της επιφάνεια προς τα πάνω. Αφαιρέστε τις προστατευτικές τάπες 1 & 4 και έπειτα ξεβιδώστε τις βίδες (2) όπως φαίνεται στην εικόνα πιο κάτω. Αλλάξτε τη χειρολαβή στη σωστή πλευρά, και τοποθετήστε τις βίδες (2) και τις προστατευτικές τάπες 1 & 4 αντίστοιχα.

## 4. ΠΕΡΙΓΡΑΦΗ ΣΥΣΚΕΥΗΣ

1. Θάλαμος συντήρησης
2. LED φωτισμός
3. Ράφι για μπουκάλια
4. Γυάλινα ράφια
5. Επάνω συρτάρι
6. Κάλυμμα συρταριού
7. Κάτω συρτάρι
8. Πάνω συρτάρι κατάψυξης
9. Βαθύ συρτάρι κατάψυξης
10. Κάτω συρτάρι κατάψυξης
11. Ρυθμιζόμενα πόδια
12. Πόρτα Ψυγείου
13. Λάστιχο πόρτας Ψυγείου
14. Επάνω ράφια x3
15. Ράφι πόρτας
16. Χειρολαβές
17. Πόρτα κατάψυξης
18. Λάστιχο πόρτας κατάψυξης
19. Λοιπά



### Προσοχή:

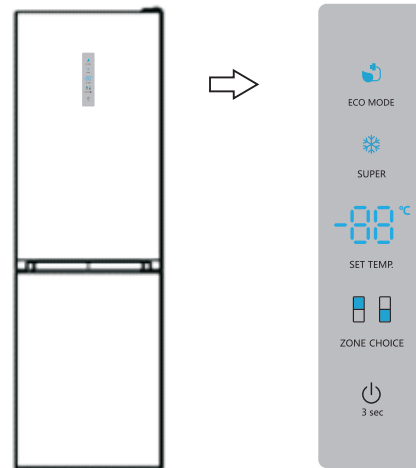
- Λόγω της αδιάκοπης τροποποίησης των προϊόντων μας, ορισμένα μέρη του ψυγείου σας μπορεί να διαφέρουν ελαφρώς από αυτό που αναφέρεται πιο πάνω.
- Εάν χρειάζεστε περισσότερο χώρο, μπορείτε να μετακινήσετε τα συρτάρια (μόνο της ψύξης). Για την καλύτερη ενεργειακή απόδοση του ψυγείου, καλό θα ήταν να τοποθετήσετε τα ράφια αλλά και τα συρτάρια στην αρχική τους θέση όπως απεικονίζεται πιο πάνω.



## 5. ΛΕΙΤΟΥΡΓΙΑ ΤΗΣ ΣΥΣΚΕΥΗΣ

Σας προτείνουμε, η χρήση της συσκευής να γίνεται σύμφωνα με τις οδηγίες που αναφέρονται παρακάτω. Όταν εκκινείτε το ψυγείο σας για πρώτη φορά, η θερμοκρασία του θαλάμου συντήρησης είναι ρυθμισμένη στους 4°C. Αν θέλετε να αλλάξετε τη θερμοκρασία, ακολουθήστε τις παρακάτω οδηγίες.

**Σημείωση:** Η ρύθμιση υψηλής θερμοκρασίας θα επιφέρει πιο άμεση αλλοίωση τροφίμων.



### Έλεγχος της θερμοκρασίας

#### Προσοχή!

Όταν ορίζετε μια θερμοκρασία, ορίζετε μια μέση θερμοκρασία για ολόκληρο τον θάλαμο ψυγείου. Η θερμοκρασία στο εσωτερικό κάθε διαμερίσματος μπορεί να διαφέρει από τη θερμοκρασία που εμφανίζεται στον πίνακα, ανάλογα με την ποσότητα των τροφίμων και τη θέση στην οποία τοποθετούνται. Η θερμοκρασία περιβάλλοντος μπορεί επίσης να επηρεάσει την πραγματική θερμοκρασία στο εσωτερικό της συσκευής.

### Θάλαμος συντήρησης

Πατήστε το "ZONE CHOICE", το φως "☐" ανάβει.

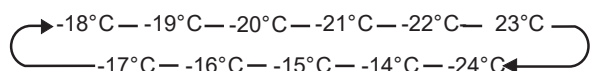
Στη συνέχεια πατήστε "SET TEMP" για να ρυθμίσετε την επιθυμητή θερμοκρασία μεταξύ 2°C και 8°C σύμφωνα με τις ανάγκες. Ο πίνακας ενδείξεων θα εμφανίζει τις αντίστοιχες τιμές σύμφωνα με την εξής ακολουθία.



### Κατάψυξη

Πατήστε το "ZONE CHOICE", όταν το φως "☐" ανάβει.

Τότε πατήστε "SET TEMP" και μπορείτε να ρυθμίσετε τη θερμοκρασία μεταξύ -14°C και -24°C σύμφωνα με τις ανάγκες.



### Super Freeze (Σούπερ κατάψυξη) (❄)

Η λειτουργία Super Freeze μειώνει γρήγορα τη θερμοκρασία στην κατάψυξη και τα τρόφιμα παγώνουν πιο γρήγορα. Με αυτόν τον τρόπο, διατηρούνται οι βιταμίνες και τα θρεπτικά συστατικά των φρέσκων τροφίμων και τα τρόφιμα διατηρούνται φρέσκα για μεγαλύτερο διάστημα.

- Μπορείτε να πατήσετε το SUPER ώστε να ξεκινήσει η λειτουργία σούπερ κατάψυξης.
- Όταν επιλεγεί η λειτουργία σούπερ κατάψυξης, το φως ανάβει και η θερμοκρασία της κατάψυξης ρυθμίζεται στους -24°C.
- Σε περίπτωση που θέλετε να καταψύξετε τη μέγιστη ποσότητα τροφίμων, περιμένετε περίπου 24ώρες.
- Η λειτουργία Superfreeze απενεργοποιείται αυτόματα μετά από 52 ώρες και, στη συνέχεια, η θερμοκρασία της κατάψυξης επανέρχεται στην προηγούμενη ρύθμιση.



## **Eco energy (Εξοικονόμηση ενέργειας)**

Με αυτήν τη λειτουργία, η κατάψυξη λειτουργεί σε πρόγραμμα εξοικονόμησης ενέργειας, κάτι που είναι χρήσιμο για να μειώνετε την κατανάλωση ενέργειας όταν λείπετε.

- Μπορείτε να πατήσετε "ECOMODE" για να μπείτε σε λειτουργία εξοικονόμησης
- Όταν ενεργοποιηθεί η λειτουργία εξοικονόμησης ενέργειας, το φως ανάβει. Η θερμοκρασία της κατάψυξης ρυθμίζεται στους  $-17^{\circ}\text{C}$  και η θερμοκρασία του θαλάμου συντήρησης στους  $6^{\circ}\text{C}$ .

## **Διακόπτης Ενεργοποίησης/Απενεργοποίησης**

Μπορείτε να ενεργοποιήσετε και να απενεργοποιήσετε τη συσκευή σας πατώντας αυτό το κουμπί.

- Πατήστε το  για 3 δευτερόλεπτα. Ακούγεται ένα ηχητικό σήμα, εμφανίζεται η ψηφιακή ένδειξη "OFF" και η συσκευή απενεργοποιείται.
- Πατήστε το  για 3 δευτερόλεπτα. Ακούγεται ένα ηχητικό σήμα και η συσκευή ενεργοποιείται.

## **Ήχος Συναγερμού**

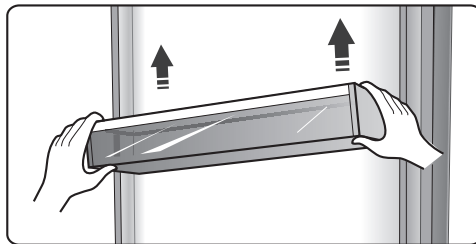
- Όταν η πόρτα του θαλάμου συντήρησης ή της κατάψυξης παραμένει ανοιχτή για πάνω από 2 λεπτά, ηχεί ο συναγερμός πόρτας. Ο συναγερμός πόρτας ηχεί 3 φορές ανά λεπτό και σταματά αυτόματα μετά από 8 λεπτά.
- Για να εξοικονομήτε ενέργεια, προσπαθήστε να μην αφήνετε ανοιχτή την πόρτα για πολλή ώρα όταν χρησιμοποιείτε τη συσκευή. Ο συναγερμός πόρτας μπορεί επίσης να σταματήσει κλείνοντας την πόρτα.

## 6. ΧΡΗΣΗ ΤΗΣ ΣΥΣΚΕΥΗΣ ΣΑΣ

Η συσκευή σας είναι εξοπλισμένη με διάφορα αξεσουάρ όπως περιγράφεται στην ενότητα 'ΠΕΡΙΓΡΑΦΗ ΣΥΣΚΕΥΗΣ' και αυτή η ενότητα περιγράφει τον καλύτερο τρόπο χρήσης της. Σας προτείνουμε να διαβάσετε προσεκτικά τα παρακάτω, πριν χρησιμοποιήσετε την συσκευή.

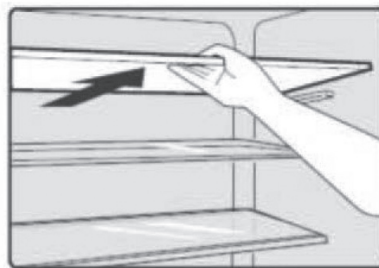
### Ράφι πόρτας

- Κατάλληλο για την αποθήκευση αυγών, αναψυκτικών, ποτών και συσκευασμένων τροφίμων, κλπ. Μην τοποθετείτε πολύ βαριά αντικείμενα στα ράφια πόρτας.
- Τα ράφια πόρτας μπορούν να τοποθετηθούν σε διάφορα ύψη σύμφωνα με τις απαιτήσεις σας. Πριν σηκώσετε προς τα πάνω το ράφι για να του αλλάξετε θέση, αφαιρέστε τα τρόφιμα.



### Ράφι στον θάλαμο συντήρησης

Ο θάλαμος συντήρησης διαθέτει ράφια που μπορούν να αφαιρεθούν για καθάρισμα.



### Fresh box

Σε αυτό το συρτάρι μπορείτε να έχετε χαμηλότερη θερμοκρασία για την αποθήκευση των ψαριών, κρεάτων και άλλα ευπαθή τρόφιμα. Η θερμοκρασία του θα πρέπει να είναι 2°C χαμηλότερη από το υπόλοιπο τμήμα του ψυγείου. Μπορείτε να μετακινήσετε την μπάρα δεξιά ή αριστερά για να ρυθμίσετε τη θερμοκρασία. Στον παρακάτω πίνακα θα βρείτε κάποιες προτάσεις που μπορείτε να ακολουθήσετε.

Θερμοκρασία συντήρησης	Θέση μπάρας	Τρόφιμα	Μέγιστη διάρκεια συντήρησης
2°C	δεξιά	Ψάρι και κρέας	<3 ημέρες
5°C	δεξιά	Φρούτα	<2 ημέρες
8°C	δεξιά	Λαχανικά	<5 ημέρες

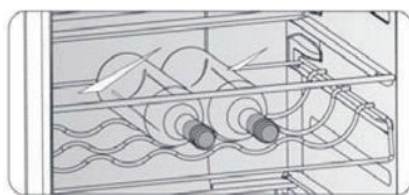
## Σημείωση:

Ανάλογα τη θερμοκρασία του περιβάλλοντος χώρου της συσκευής αλλά και της ρύθμισης θερμοκρασίας που έχουμε επιλέξει, συμβάλει στη θερμοκρασία που θα έχει το συρτάρι Fresh box. Η θερμοκρασία από το συρτάρι μπορεί να πέσει κάτω από τους 0°C, και έτσι είναι φυσικό να υπάρχει σχηματισμός πάγου.



## Ράφι για μπουκάλια

- Το ράφι αυτό είναι ειδικά σχεδιασμένο για μπουκάλια με κρασί ή αναψυκτικών, και μπορεί να αφαιρεθεί ώστε να καθαριστή.



## Κάλυμμα συρταριού συντήρησης

- Το κάλυμμα αυτό, βοηθάει στην διατήρηση της θερμοκρασίας του χώρου αλλά και στη διατήρηση της υγρασίας των λαχανικών.
- Μπορείτε να ρυθμίσετε τη συρόμενη μπάρα που βρίσκετε στο επάνω μέρος του καλύμματος. Έτσι, εάν την πάτε προς τα αριστερά θα έχετε πιο υψηλή υγρασία για τη σωστή αποθήκευση φρούτων και λαχανικών και δεξιά για λιγότερη υγρασία.



Συρόμενη μπάρα

Κάλυμμα από το συρτάρι

## Συρτάρι φρούτων και λαχανικών

- Το συρτάρι φρούτων και λαχανικών του ψυγείου παρέχει υγρασία και εμποδίζει τα τρόφιμα να ξεραθούν.

## Συρτάρι κατάψυξης

- Χρησιμοποιείται για την αποθήκευση τροφίμων που πρέπει να καταψυχθούν, όπως κρέας, ψάρι και παγωτό, κλπ.

## 7. ΧΡΗΣΙΜΕΣ ΥΠΟΔΕΙΞΕΙΣ ΚΑΙ ΣΥΜΒΟΥΛΕΣ

### Συμβουλές εξοικονόμησης ενέργειας

Σας προτείνουμε να ακολουθήσετε τις παρακάτω συμβουλές για να εξοικονομήσετε ενέργεια.

- Προσπαθήστε να μην αφήνετε ανοιχτή την πόρτα για μεγάλα διαστήματα.
- Βεβαιωθείτε ότι η συσκευή βρίσκεται μακριά από πηγές θερμότητας (άμεσο ηλιακό φως, ηλεκτρικός φούρνος ή εστία, κ.λπ.)
- Μην ρυθμίζετε τη θερμοκρασία πιο χαμηλά από όσο χρειάζεται.
- Μην τοποθετείτε ζεστά τρόφιμα ή υγρά μέσα στη συσκευή.
- Τοποθετήστε τη συσκευή σε δωμάτιο με καλό αερισμό και χωρίς υγρασία. Ανατρέξτε στο κεφάλαιο Εγκατάσταση της νέας συσκευής σας για περαιτέρω συμβουλές.
- Αν το διάγραμμα παρουσιάζει τον σωστό συνδυασμό συρταριών, φρουτολεκάνης και ραφιών, μην αλλάζετε τον συνδυασμό καθώς αυτός αποτελεί την πιο ενεργειακά αποδοτική διαμόρφωση.

### Υποδείξεις για την ψύξη φρέσκου φαγητού

- Μην τοποθετείτε ζεστό φαγητό απευθείας μέσα στο ψυγείο ή την κατάψυξη, καθώς αυτό θα αυξήσει την εσωτερική θερμοκρασία αναγκάζοντας τον συμπιεστή να λειτουργεί πιο έντονα καταναλώνοντας έτσι περισσότερη ενέργεια.
- Καλύπτετε ή τυλίγετε τα τρόφιμα, ιδιαίτερα αν έχουν έντονη μυρωδιά.
- Τοποθετείτε τα τρόφιμα σωστά, ώστε να κυκλοφορεί ελεύθερα ο αέρας γύρω τους.

### Υποδείξεις για την ψύξη

- Κρέας (όλοι οι τύποι) Τυλίξτε το σε μεμβράνη τροφίμων και τοποθετήστε το στο γυάλινο ράφι πάνω από το συρτάρι λαχανικών. Τηρείτε πάντα τους χρόνους αποθήκευσης των τροφίμων και τις ημερομηνίες λήξης που προτείνουν οι κατασκευαστές.
- Μαγειρεμένα τρόφιμα, κρύα πιάτα, κ.λπ.: Θα πρέπει να καλύπτονται ώστε να μπορούν να τοποθετηθούν σε οποιοδήποτε ράφι.
- Φρούτα και λαχανικά: Θα πρέπει να φυλάσσονται στο ειδικό συρτάρι που παρέχεται.
- Βούτυρο και τυριά: Θα πρέπει να τυλίγονται σε αλουμινόχαρτο ή σε αεροστεγές μεμβράνη.
- Φιάλες γάλακτος: Θα πρέπει να διαθέτουν καπάκι και να φυλάσσονται στα ράφια πόρτας.

### Υποδείξεις για την κατάψυξη

- Κατά την πρώτη εκκίνηση ή μετά από μια περίοδο εκτός χρήσης, πριν τοποθετήσετε τα τρόφιμα στον θάλαμο, αφήστε τη συσκευή να λειτουργήσει για τουλάχιστον 2 ώρες στην υψηλότερη ρύθμιση.
- Χωρίστε τα τρόφιμα σε μικρές μερίδες για να μπορούν να καταψυχθούν γρήγορα και πλήρως και για να μπορείτε να ξεπαγώνετε μόνο την ποσότητα που χρειάζεστε.
- Τυλίξτε τα τρόφιμα σε αλουμινόχαρτο ή μεμβράνη και βεβαιωθείτε ότι οι συσκευασίες είναι αεροστεγείς.
- Τα φρέσκα, μη κατεψυγμένα τρόφιμα δεν πρέπει να ακουμπούν τα ήδη κατεψυγμένα, για να μην αυξηθεί η θερμοκρασία των ήδη κατεψυγμένων τροφίμων.
- Τα παγωμένα προϊόντα, σε περίπτωση που καταναλωθούν αμέσως μετά την αφαίρεσή τους από τον θάλαμο κατάψυξης, μπορεί να προκαλέσουν εγκαύματα από πάγο στο δέρμα.
- Συνιστάται να σημειώνετε τα περιεχόμενα και την ημερομηνία κάθε κατεψυγμένης συσκευασίας ώστε να μπορείτε να παρακολουθείτε τον χρόνο αποθήκευσης.

## **Υποδείξεις για την αποθήκευση κατεψυγμένων τροφίμων**

- Βεβαιωθείτε ότι τα εμπορικά κατεψυγμένα προϊόντα έχουν αποθηκευτεί σωστά από τον έμπορο λιανικής.
- Όταν αποψυχθούν, τα τρόφιμα αλλοιώνονται γρήγορα και δεν μπορούν να καταψυχθούν ξανά.
- Μην υπερβαίνεται τη χρονική περίοδο αποθήκευσης που υποδεικνύει ο παρασκευαστής του τροφίμου.

## **Απενεργοποίηση της συσκευής**

Εάν η συσκευή πρέπει να απενεργοποιηθεί για παρατεταμένο χρονικό διάστημα, θα πρέπει να ληφθούν τα ακόλουθα μέτρα για να αποφευχθεί η εμφάνιση μούχλας στη συσκευή.

1. Αφαιρέστε όλα τα τρόφιμα.
2. Βγάλτε το φιντ τροφοδοσίας από την πρίζα.
3. Καθαρίστε και στεγνώστε καλά το εσωτερικό της συσκευής.
4. Βεβαιωθείτε ότι όλες οι πόρτες είναι ελαφρώς ανοιχτές για να κυκλοφορεί ο αέρας.

## 8. ΚΑΘΑΡΙΣΜΟΣ ΚΑΙ ΦΡΟΝΤΙΔΑ

Για λόγους υγιεινής, το εσωτερικό της συσκευής, συμπεριλαμβανομένων των εσωτερικών αξεσουάρ, θα πρέπει να καθαρίζεται τακτικά. Η συσκευή θα πρέπει να καθαρίζεται και να συντηρείται τουλάχιστον κάθε δύο μήνες.

### Προειδοποίηση!

Κατά τη διάρκεια του καθαρισμού, η συσκευή δεν πρέπει να είναι συνδεδεμένη με την παροχή ρεύματος. Πριν τον καθαρισμό, απενεργοποιήστε τη συσκευή και βγάλτε το φιν από την πρίζα παροχής ρεύματος ή κλείστε την ασφάλεια ή τον γενικό διακόπτη ρεύματος.

### Εξωτερικός καθαρισμός

- Ψεκάστε με νερό το πανί καθαρισμού και όχι την επιφάνεια της συσκευής. Έτσι διανέμεται ομοιόμορφα η υγρασία στην επιφάνεια.
- Καθαρίστε τις πόρτες, τις λαβές και τις επιφάνειες με ένα ήπιο απορρυπαντικό και στη συνέχεια, στεγνώστε με ένα μαλακό πανί.

### Προειδοποίηση!

- Μην χρησιμοποιείτε αιχμηρά αντικείμενα γιατί μπορεί να χαράξουν την επιφάνεια.
- Μην χρησιμοποιείτε διαλυτικά, απορρυπαντικά αυτοκινήτου, χλωρίνη, αιθέρια έλαια, λειαντικά καθαριστικά ή οργανικούς διαλύτες όπως βενζίνη για καθαρισμό. Μπορεί να καταστρέψουν την επιφάνεια της συσκευής και να προκαλέσουν πυρκαγιά.

### Εσωτερικός καθαρισμός

Θα πρέπει να καθαρίζετε το εσωτερικό της συσκευής τακτικά. Ο καθαρισμός είναι πιο εύκολος και πρακτικός όταν τα αποθηκευμένα τρόφιμα είναι λίγα. Μπορείτε να αφαιρέσετε τα συρτάρια και τα ράφια για πιο λεπτομερή καθαρισμό. Σκουπίστε το εσωτερικό της κατάψυξης με ένα αραιό διάλυμα νερού και μαγειρικής σόδας και μετά ξεπλύνετε με χλιαρό νερό και ένα συμμένο σφουγγάρι ή πανί. Σκουπίστε και στεγνώστε πλήρως πριν επανατοποθετήσετε τα ράφια και τα καλάθια. Στεγνώστε σχολαστικά όλες τις επιφάνειες και τα αφαιρούμενα εξαρτήματα πριν τα επανατοποθετήσετε στη θέση τους.

Παρότι αυτή η συσκευή διαθέτει αυτόματη απόψυξη, μπορεί να εμφανιστεί κάποιο στρώμα πάγου στα εσωτερικά τοιχώματα της κατάψυξης, αν ανοίγετε συχνά την πόρτα ή αν την κρατάτε πολλή ώρα ανοιχτή. Αν το στρώμα πάγου είναι πολύ παχύ, επιλέξτε κάποια χρονική στιγμή που η κατάψυξη είναι σχεδόν άδεια και προχωρήστε ως εξής:

1. Αφαιρέστε τα τρόφιμα και τα καλάθια, βγάλτε τη συσκευή από το ρεύμα και αφήστε τις πόρτες ανοιχτές. Αερίζετε καλά το δωμάτιο για να επιταχύνετε τη διαδικασία.
2. Όταν η απόψυξη ολοκληρωθεί, καθαρίστε την κατάψυξη όπως περιγράφεται παραπάνω.

### Προειδοποίηση!

- Μην χρησιμοποιείτε αιχμηρά αντικείμενα για να αφαιρέσετε τον πάγο από την κατάψυξη. Η συσκευή μπορεί να επανασυνδεθεί με το ρεύμα και να ενεργοποιηθεί μόνο αφού το εσωτερικό στεγνώσει εντελώς.

## **Καθαρισμός στεγανοποιητικών πόρτας**

Φροντίστε να διατηρείτε τα στεγανοποιητικά πόρτας καθαρά. Τροφές που κολλούν και ποτά μπορεί να κάνουν τα στεγανοποιητικά να κολλήσουν στην κάσα και να σκιστούν όταν ανοίξετε την πόρτα. Πλύνετε τα στεγανοποιητικά με ένα ήπιο απορρυπαντικό και χλιαρό νερό. Ξεπλύνετε και στεγνώστε τα καλά μετά τον καθαρισμό.

### **Προειδοποίηση!**

Η συσκευή μπορεί να ενεργοποιηθεί και πάλι μόνο αφού τα στεγανοποιητικά πόρτας στεγνώσουν εντελώς.

## **Αντικατάσταση του λαμπτήρα LED**

### **Προειδοποίηση!**

Ο λαμπτήρας LED δεν πρέπει να αντικαθίσταται από τον χρήστη! Εάν ο λαμπτήρας LED έχει υποστεί ζημιά, επικοινωνήστε με τη γραμμή εξυπηρέτησης πελατών για βοήθεια.



## 9. ΑΝΤΙΜΕΤΩΠΙΣΗ ΠΡΟΒΛΗΜΑΤΩΝ

Αν αντιμετωπίζετε κάποιο πρόβλημα με τη συσκευή σας ή αν ανησυχείτε ότι η συσκευή δεν λειτουργεί σωστά, μπορείτε να διενεργήσετε μερικούς εύκολους ελέγχους πριν καλέσετε το σέρβις. Δείτε παρακάτω. Πριν καλέσετε το σέρβις, μπορείτε να διενεργήσετε μερικούς εύκολους ελέγχους σύμφωνα με την παρούσα ενότητα.

### Προειδοποίηση!

Μην επιχειρήσετε να επισκευάσετε τη συσκευή μόνοι σας. Αν, μετά τη διενέργεια των παρακάτω ελέγχων, το πρόβλημα παραμένει, επικοινωνήστε με επαγγελματία ηλεκτρολόγο, εξουσιοδοτημένο μηχανικό σέρβις ή με το κατάστημα απ' όπου αγοράσατε το προϊόν.

Πρόβλημα	Πιθανή αιτία & λύση
Η συσκευή δεν λειτουργεί σωστά	<ul style="list-style-type: none"><li>• Ελέγξτε αν το καλώδιο ρεύματος είναι σωστά συνδεδεμένο στην πρίζα.</li><li>• Ελέγξτε την ασφάλεια ή το κύκλωμα παροχής ρεύματος, αντικαταστήστε αν χρειάζεται.</li><li>• Η θερμοκρασία περιβάλλοντος είναι πολύ χαμηλή. Δοκιμάστε να λύσετε αυτό το πρόβλημα ρυθμίζοντας τη θερμοκρασία θαλάμου σε ψυχρότερο επίπεδο.</li><li>• Είναι φυσιολογικό η κατάψυξη να μην λειτουργεί κατά τη διάρκεια της αυτόματης απόψυξης ή για μικρό χρονικό διάστημα μετά την ενεργοποίηση της συσκευής για λόγους προστασίας του συμπιεστή.</li></ul>
Οσμές από τα διαμερίσματα	<ul style="list-style-type: none"><li>• Το εσωτερικό μπορεί να χρειάζεται καθάρισμα.</li><li>• Μερικά φαγητά, δοχεία ή περιτυλίγματα προκαλούν οσμές.</li></ul>
Θόρυβος από τη συσκευή	<p>Οι παρακάτω ήχοι είναι φυσιολογικοί:</p> <ul style="list-style-type: none"><li>• Ήχοι λειτουργίας συμπιεστή.</li><li>• Ήχος κίνησης αέρα από τον μικρό ανεμιστήρα του μοτέρ στον θάλαμο κατάψυξης ή σε άλλους θαλάμους.</li><li>• Ήχοι γουργουρίσματος σαν νερό που βράζει.</li><li>• Ήχος σαν κάτι να σκάει κατά τη διάρκεια της αυτόματης απόψυξης.</li><li>• Ήχος σαν κλικ πριν την εκκίνηση του συμπιεστή.</li></ul> <p>Άλλοι ασυνήθιστοι θόρυβοι οφείλονται στους παρακάτω λόγους και ίσως χρειαστεί να τους ελέγξετε και να αναλάβετε δράση:</p> <ul style="list-style-type: none"><li>• Το περίβλημα δεν είναι οριζοντιωμένο.</li><li>• Η πλάτη της συσκευής ακουμπά στον τοίχο.</li><li>• Μπουκάλια και δοχεία χτυπιούνται μεταξύ τους.</li></ul>

Πρόβλημα	Πιθανή αιτία & λύση
Το μοτέρ λειτουργεί συνεχώς	<p>Είναι φυσιολογικό να ακούτε συχνά τον ήχο του μοτέρ. Θα πρέπει να λειτουργεί περισσότερο κατά τη διάρκεια των ακόλουθων περιστάσεων:</p> <ul style="list-style-type: none"> <li>• Η ρύθμιση της θερμοκρασίας είναι πιο χαμηλή από όσο χρειάζεται.</li> <li>• Μεγάλη ποσότητα ζεστών τροφίμων τοποθετήθηκε πρόσφατα στη συσκευή.</li> <li>• Η θερμοκρασία έξω από τη συσκευή είναι πολύ υψηλή.</li> <li>• Οι πόρτες μένουν ανοιχτές για πολλή ώρα ή ανοίγουν πολύ συχνά.</li> <li>• Μετά την εγκατάσταση της συσκευής ή μετά την απενεργοποίησή της για μεγάλο χρονικό διάστημα.</li> </ul>
Εμφανίζεται στρώμα πάγου στον θάλαμο.	<ul style="list-style-type: none"> <li>• Βεβαιωθείτε ότι οι έξοδοι αέρα δεν είναι μπλοκαρισμένες από τρόφιμα και βεβαιωθείτε ότι τα τρόφιμα τοποθετούνται μέσα στη συσκευή έτσι ώστε να επιτρέπουν επαρκή αερισμό. Βεβαιωθείτε ότι η πόρτα μπορεί να κλείσει εντελώς. Για να αφαιρέσετε τον πάγο, ανατρέξτε στην ενότητα καθαρισμού και φροντίδας.</li> </ul>
Η θερμοκρασία στο εσωτερικό είναι πολύ υψηλή.	<ul style="list-style-type: none"> <li>• Μπορεί να αφήνετε τις πόρτες ανοιχτές για πολλή ώρα ή να τις ανοίγετε πολύ συχνά, ή οι πόρτες εμποδίζονται από κάτι, ή δεν υπάρχουν οι σωστές αποστάσεις στην πλάτη, τις πλευρές ή την κορυφή της συσκευής.</li> </ul>
Η θερμοκρασία στο εσωτερικό είναι πολύ χαμηλή.	<ul style="list-style-type: none"> <li>• Αυξήστε τη θερμοκρασία ακολουθώντας τις οδηγίες στην ενότητα "Χειριστήρια οθόνης".</li> </ul>
Νερό στάζει στο δάπεδο	<ul style="list-style-type: none"> <li>• Το δοχείο νερού (που βρίσκεται στο πίσω κάτω μέρος του περιβλήματος) μπορεί να μην είναι σωστά οριζοντιωμένο ή το στόμιο αποστράγγισης κάτω από την κορυφή του συμπιεστή μπορεί να μην είναι σωστά τοποθετημένο ώστε να κατευθύνει το νερό μέσα σε αυτό το δοχείο, ή το στόμιο νερού έχει φράξει. Μπορεί να χρειαστεί να τραβήξετε το ψυγείο μακριά από τον τοίχο για να ελέγξετε το δοχείο και το στόμιο. Ελέγξτε μήπως το ψυγείο έχει απενεργοποιηθεί για μεγάλο διάστημα, γιατί έτσι ο πάγος στον κάδο λιώνει και το νερό τρέχει στο πάτωμα.</li> </ul>
Δεν λειτουργεί η λυχνία Led	<ul style="list-style-type: none"> <li>• Η λυχνία LED μπορεί να έχει υποστεί ζημιά. Ανατρέξτε στο κεφάλαιο Καθαρισμός και φροντίδα, για την αντικατάσταση της λάμπας LED.</li> <li>• Το σύστημα ελέγχου έχει απενεργοποιήσει το φως λόγω του ότι η πόρτα παρέμεινε ανοιχτή για πολύ ώρα. Κλείστε και ανοίξτε ξανά την πόρτα για να ενεργοποιήσετε ξανά τα φώτα.</li> </ul>

## 10. ΑΠΟΡΡΙΨΗ ΤΗΣ ΣΥΣΚΕΥΗΣ

Απαγορεύεται η απόρριψη οικιακών συσκευών σε οικιακά απορρίμματα.

### Υλικά συσκευασίας

Τα υλικά συσκευασίας με το σύμβολο της ανακύκλωσης, είναι ανακυκλώσιμα. Απορρίψτε τη συσκευασία σε κατάλληλο κάδο συλλογής, για την ανακύκλωσή της.

### Πριν από την απόρριψη της συσκευής:

1. Βγάλτε το φως από την πρίζα παροχής ρεύματος.
2. Κόψτε το καλώδιο ρεύματος και απορρίψτε το μαζί με το φως.

### Προειδοποίηση!

Τα ψυγεία περιέχουν ψυκτικό μέσο και αέρια στη μόνωση. Το ψυκτικό μέσο και τα αέρια πρέπει να απορρίπτονται από επαγγελματίες, καθώς μπορεί να προκαλέσουν τραυματισμούς στα μάτια ή και ανάφλεξη. Βεβαιωθείτε ότι οι σωληνώσεις του ψυκτικού κυκλώματος δεν έχουν υποστεί ζημιά πριν απορρίψετε σωστά τη συσκευή.



### ΣΩΣΤΗ ΑΠΟΡΡΙΨΗ ΑΥΤΟΥ ΤΟΥ ΠΡΟΪΟΝΤΟΣ

Το σύμβολο στο προϊόν ή στη συσκευασία του υποδεικνύει ότι το προϊόν δεν πρέπει να αντιμετωπιστεί ως οικιακό απόρριμμα. Το προϊόν θα πρέπει να παραδοθεί σε κατάλληλο σημείο συλλογής για την ανακύκλωση των ηλεκτρικών και ηλεκτρονικών εξαρτημάτων του. Η σωστή απόρριψη του προϊόντος συνεισφέρει στην αποφυγή ενδεχόμενων αρνητικών συνεπειών για το περιβάλλον και την ανθρώπινη υγεία, οι οποίες θα μπορούσαν να προκληθούν από τη λανθασμένη απόρριψη του προϊόντος. Για λεπτομερείς πληροφορίες σχετικά με την απόρριψη και την ανακύκλωση του προϊόντος, επικοινωνήστε με τις δημοτικές αρχές, τις υπηρεσίες αποκομιδής ή το κατάστημα από όπου αγοράσατε το προϊόν.

Σας προτείνουμε να ακολουθήσετε τις παρακάτω οδηγίες προς αποφυγή αλλοίωσης των τροφίμων:

- Οι πόρτες ανοίγουν για μεγάλο χρονικό διάστημα με αποτέλεσμα την αύξηση της θερμοκρασίας στο εσωτερικό της συσκευής.
- Να καθαρίζετε σε τακτά χρονικά διαστήματα τις επιφάνειες που έρχονται σε επαφή με τρόφιμα ή με το σύστημα αποχέτευσης.
- Το ωμό κρέας και ψάρι καλό είναι να αποθηκεύονται σε κατάλληλα δοχεία, έτσι ώστε να μην έρχονται σε επαφή ή να στάζουν σε άλλα τρόφιμα.
- Η κατάψυξη 2 αστέρων είναι κατάλληλη για αποθήκευση προ-κατεψυγμένων προϊόντων, την αποθήκευση ή την παρασκευή παγωτού αλλά και την δημιουργία ή διατήρηση πάγου.
- Η κατάψυξη 1, 2 και 3 αστέρων δεν είναι κατάλληλες για την κατάψυξη φρέσκου φαγητού.

	Χώρος	Θερμοκρασία Αποθηκευτικού Χώρου	Κατάλληλο φαγητό
1	Ψυγείο	+2°C - +8°C	Αυγά, μαγειρεμένα τρόφιμα, συσκευασμένα τρόφιμα, φρούτα και λαχανικά, γαλακτοκομικά, κέικ, ποτά και άλλα τρόφιμα που δεν είναι κατάλληλα για πάγωμα.
2	Κατάψυξη(***)*	-18°C	Θαλασσινά (ψάρια, γαρίδες, οστρακοειδή) και προϊόντα κρέατος (ο συνιστώμενος χρόνος διατήρησης είναι 3 μήνες - η θρεπτική αξία και η γεύση μειώνονται με την πάροδο του χρόνου), Ακατάλληλο για πάγωμα φρέσκων τροφίμων.
3	Κατάψυξη***	-18°C	Θαλασσινά (ψάρια, γαρίδες, οστρακοειδή) και προϊόντα κρέατος (ο συνιστώμενος χρόνος διατήρησης είναι 3 μήνες - η θρεπτική αξία και η γεύση μειώνονται με την πάροδο του χρόνου), Ακατάλληλο για πάγωμα φρέσκων τροφίμων.
4	Κατάψυξη**	-12°C	Θαλασσινά (ψάρια, γαρίδες, οστρακοειδή) και προϊόντα κρέατος (ο συνιστώμενος χρόνος διατήρησης είναι 2 μήνες - η θρεπτική αξία και η γεύση μειώνονται με την πάροδο του χρόνου), Ακατάλληλο για πάγωμα φρέσκων τροφίμων.
5	Κατάψυξη*	-6°C	Θαλασσινά (ψάρια, γαρίδες, οστρακοειδή) και προϊόντα κρέατος (ο συνιστώμενος χρόνος διατήρησης είναι 1 μήνας - η θρεπτική αξία και η γεύση μειώνονται με την πάροδο του χρόνου), Ακατάλληλο για πάγωμα φρέσκων τροφίμων.
6	0 αστέρων	-6°C - 0°C	Νωπό χοιρινό, μοσχάρι, ψάρι, κοτόπουλο, μερικά συσκευασμένα επεξεργασμένα τρόφιμα, κ.λπ. (Συνιστάται να καταναλώνονται εντός της ημέρας, κατά προτίμηση εντός 3 ημερών το πολύ). Μερικώς συσκευασμένα/τυλιγμένα επεξεργασμένα τρόφιμα (τρόφιμα που δεν καταψύχονται)
7	Ψύξη	-2°C - +3°C	Νωπό/κατεψυγμένο χοιρινό, μοσχάρι, κοτόπουλο, προϊόντα γλυκού νερού, κ.λπ. (7 ημέρες σε θερμοκρασία κάτω των 0 °C και σε θερμοκρασία άνω των 0 °C συνιστάται να καταναλώνονται εντός της ημέρας, κατά προτίμηση εντός 2 ημερών το πολύ). Θαλασσινά (σε θερμοκρασία κάτω των 0 για 15 ημέρες, δεν συνιστάται η αποθήκευσή τους σε θερμοκρασία άνω των 0 °C)
8	Φρέσκα τρόφιμα	0°C - +4°C	Νωπό χοιρινό, μοσχάρι, ψάρι, κοτόπουλο, μαγειρεμένα τρόφιμα κ.λπ. (Συνιστάται να καταναλώνεται εντός της ίδιας ημέρας, κατά προτίμηση όχι περισσότερο από 3 ημέρες)
9	Κρασί	+5°C - +20°C	Κόκκινο κρασί, λευκό κρασί, αφρώδη κρασί κ.λπ.

**ΣΗΜΕΙΩΣΗ:** Σας προτείνουμε να αποθηκεύετε τα τρόφιμα στο σωστό χώρο του ψυγείου βάση της σωστής θερμοκρασίας αποθήκευσης των προϊόντων που αγοράσατε.

- Εάν το ψυγείο παραμείνει άδειο για μεγάλα χρονικά διαστήματα, απενεργοποιήστε, αποψύξτε, καθαρίστε, στεγνώστε και αφήστε την πόρτα ανοιχτή για να αποφύγετε την ανάπτυξη μούχλας στο εσωτερικό της συσκευής.

---

Όλες οι εικόνες στο παρόν εγχειρίδιο εξυπηρετούν επεξηγηματικούς σκοπούς. Το προϊόν που προμηθευτήκατε μπορεί να εμφανίζει ορισμένες διαφορές ως προς το σχήμα, ωστόσο οι λειτουργίες και τα χαρακτηριστικά παραμένουν ίδια. Η εταιρεία δεν φέρει ευθύνη για τυχόν τυπογραφικά λάθη. Ο σχεδιασμός και οι προδιαγραφές του προϊόντος μπορεί να τροποποιηθούν χωρίς προηγούμενη ειδοποίηση με σκοπό τη βελτίωση των προϊόντων. Για λεπτομέρειες, απευθυνθείτε στον κατασκευαστή στο 211 300 3300 ή στον αντιπρόσωπο. Τυχόν ενημερώσεις του εγχειρίδιου θα αναρτηθούν στην ιστοσελίδα του κατασκευαστή, παρακαλούμε να ελέγξετε για την πιο πρόσφατη έκδοση.



Σαρώστε εδώ για να κατεβάσετε την τελευταία έκδοση του εγχειριδίου.  
[www.inventoraircondition.gr/media-library](http://www.inventoraircondition.gr/media-library)

# Υποβολή Εγγύησης

Ακολουθήστε τα παρακάτω σύντομα βήματα για να ενεργοποιήσετε την εγγύησή σας:

## ΒΗΜΑ 1

Επισκεφθείτε την ιστοσελίδα μας μέσω του παρακάτω συνδέσμου:

<https://www.inventoraircondition.gr/egiisi-inventor>

ή σκανάροντας τον ακόλουθο κωδικό QR:



## ΒΗΜΑ 2

Συμπληρώστε όλα τα απαραίτητα πεδία όπως ζητούνται στα "Στοιχεία ιδιοκτήτη" και "Στοιχεία μηχανήματος":

Για να ενεργοποιήσετε την εγγύηση, παρακαλούμε συμπληρώστε τα παρακάτω πεδία:

Στοιχεία ιδιοκτήτη	Στοιχεία μηχανήματος
Όνομα	Τύπος
Διεύθυνση*	Σειριακός αριθμός μηχανήματος*

## ΒΗΜΑ 3

Πατήστε το κουμπί ΑΠΟΣΤΟΛΗ, στο κάτω μέρος της φόρμας υποβολής:

Διεύθυνση email\*

Να εγγραφώ στο newsletter της Inventor

**ΑΠΟΣΤΟΛΗ** ησης αποδέχεστε τους όρους και τις προϋποθέσεις.

Μολις ολοκληρωθεί η υποβολή της εγγύησης θα λάβετε την επιβεβαίωση κατοχύρωσης στο email σας

## ΒΗΜΑ 4

Θα λάβετε σχετικό mail επιβεβαίωσης στη διεύθυνση email που έχετε δηλώσει. Παρακαλούμε ελέγξτε και τον φάκελο με τα Ανεπιθύμητα εισερχόμενα.

## ΒΗΜΑ 5

Έχετε υποβάλει επιτυχώς την εγγύηση του προϊόντος Inventor!





# REFRIGERATOR

## BOTTOM FREEZER



V:1.0.112022

Manufacturer: **INVENTOR A.G. S.A.**

24th km National Road Athens - Lamia & 2 Thoukididou Str., Ag.Stefanos, 14565

Tel.: +30 211 300 3300, Fax: +30 211 300 3333 - [www.inventor.ac](http://www.inventor.ac)



4264424