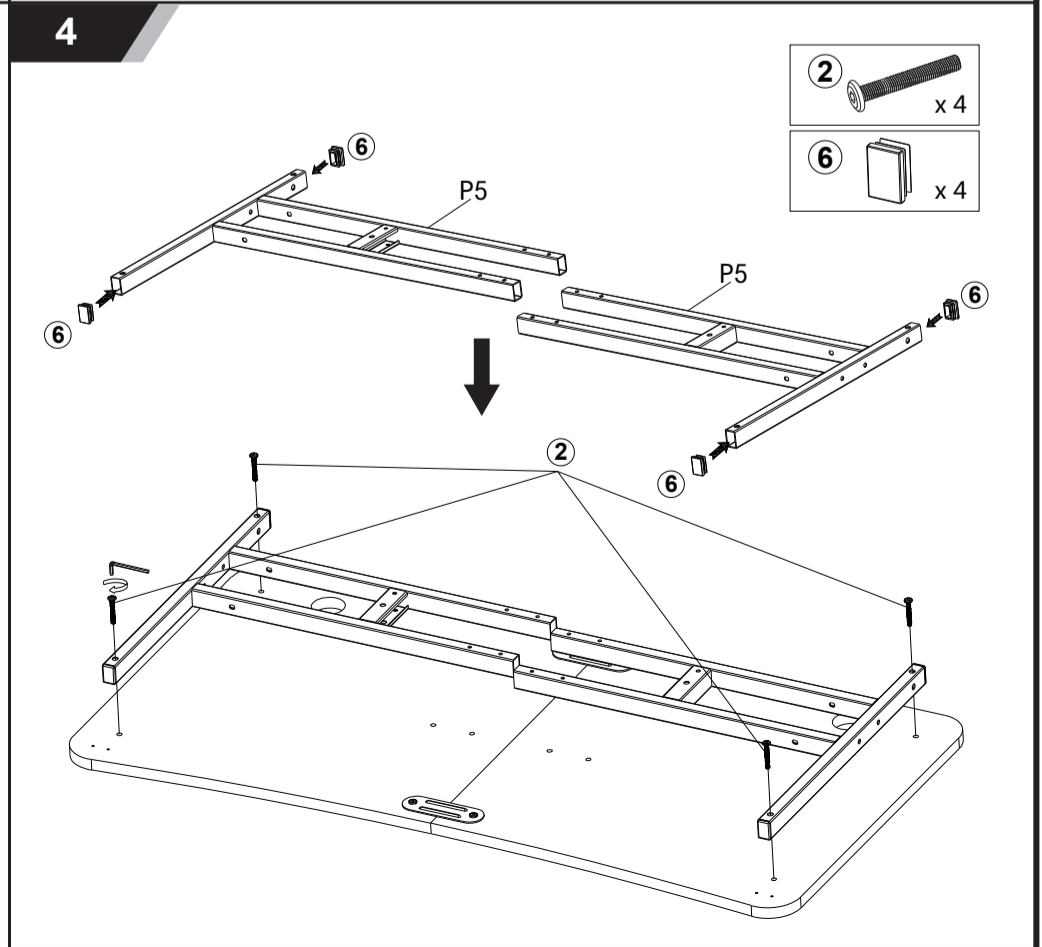
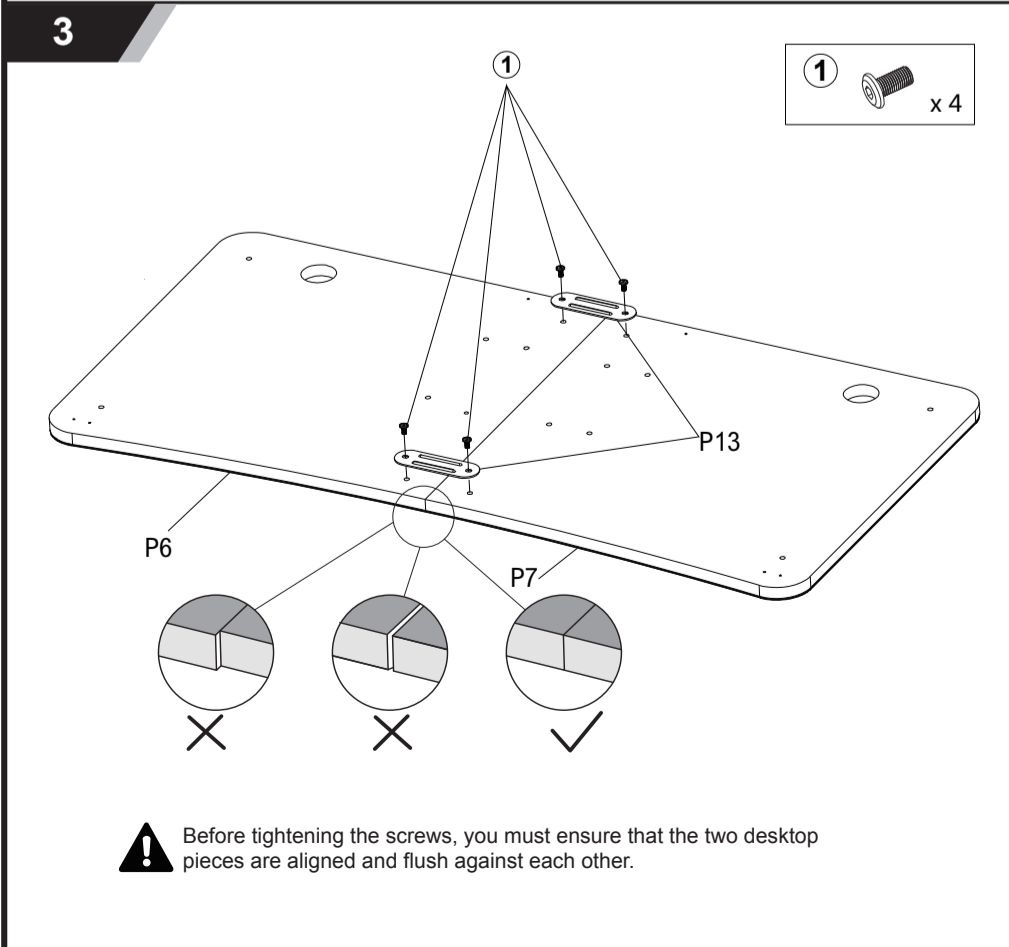
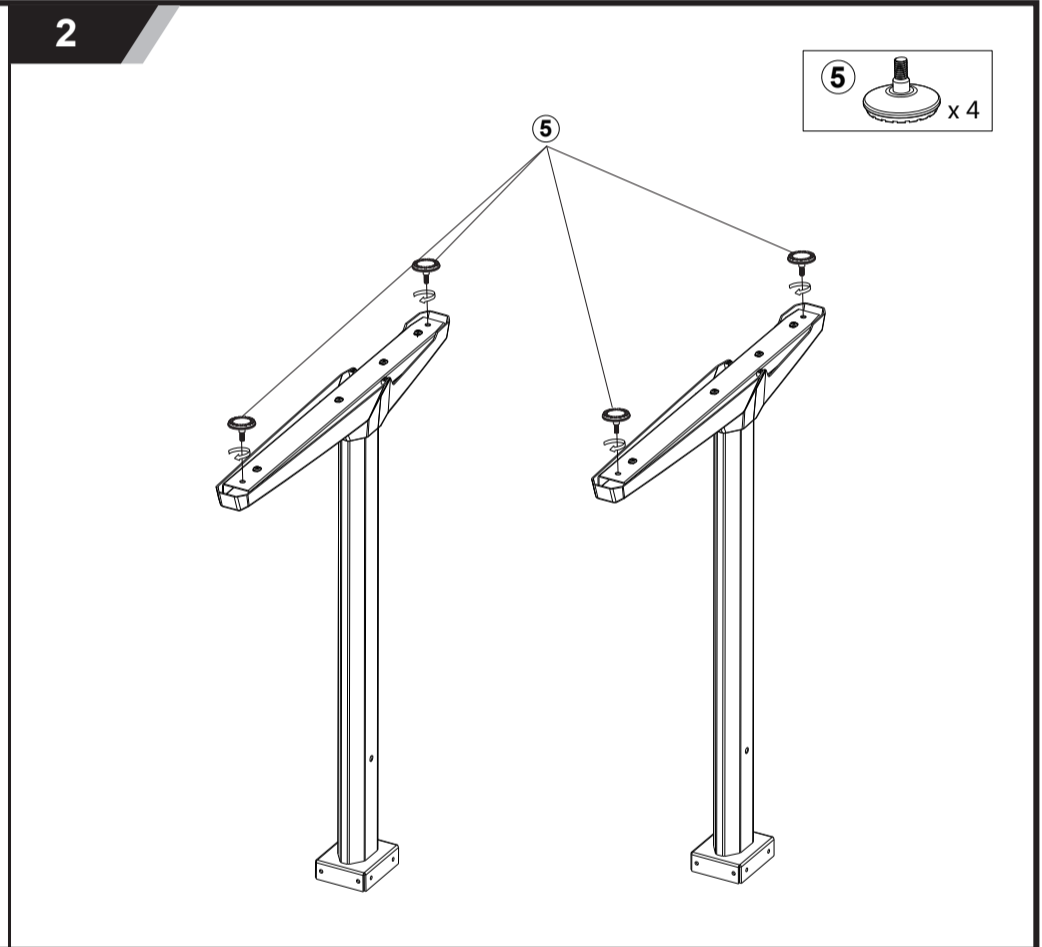
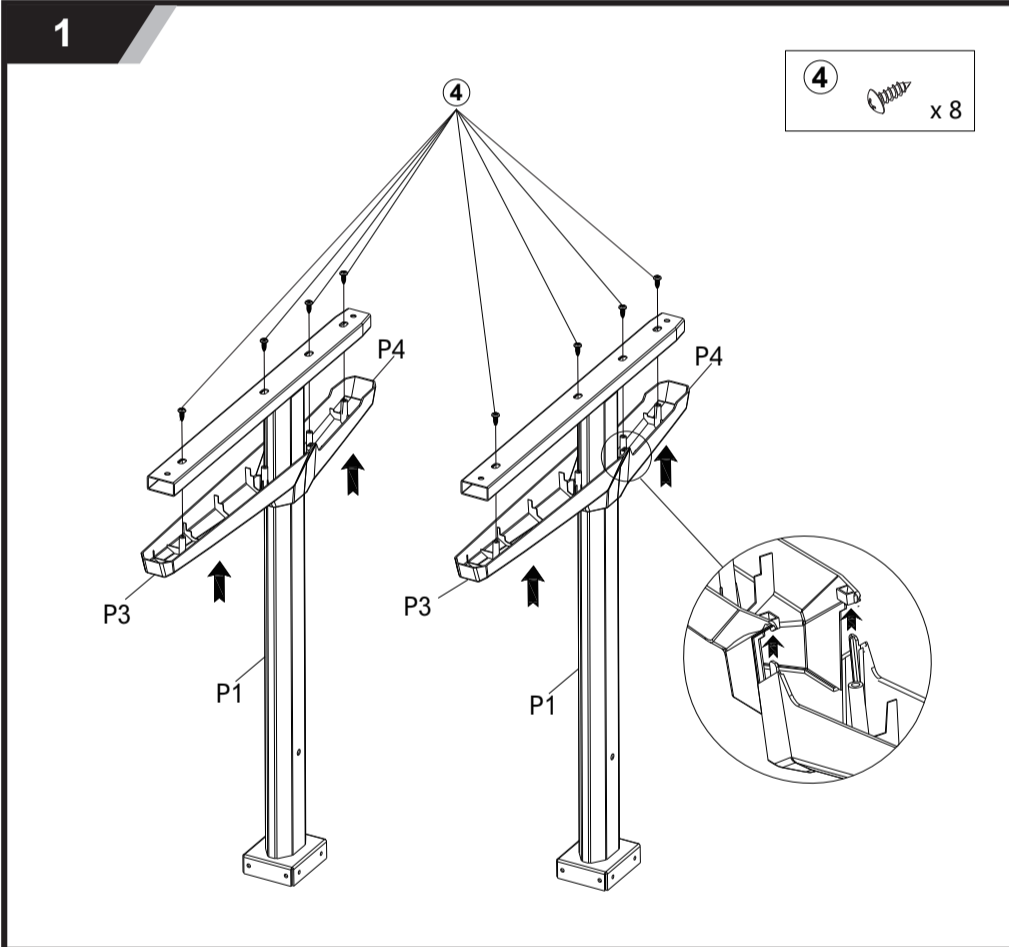
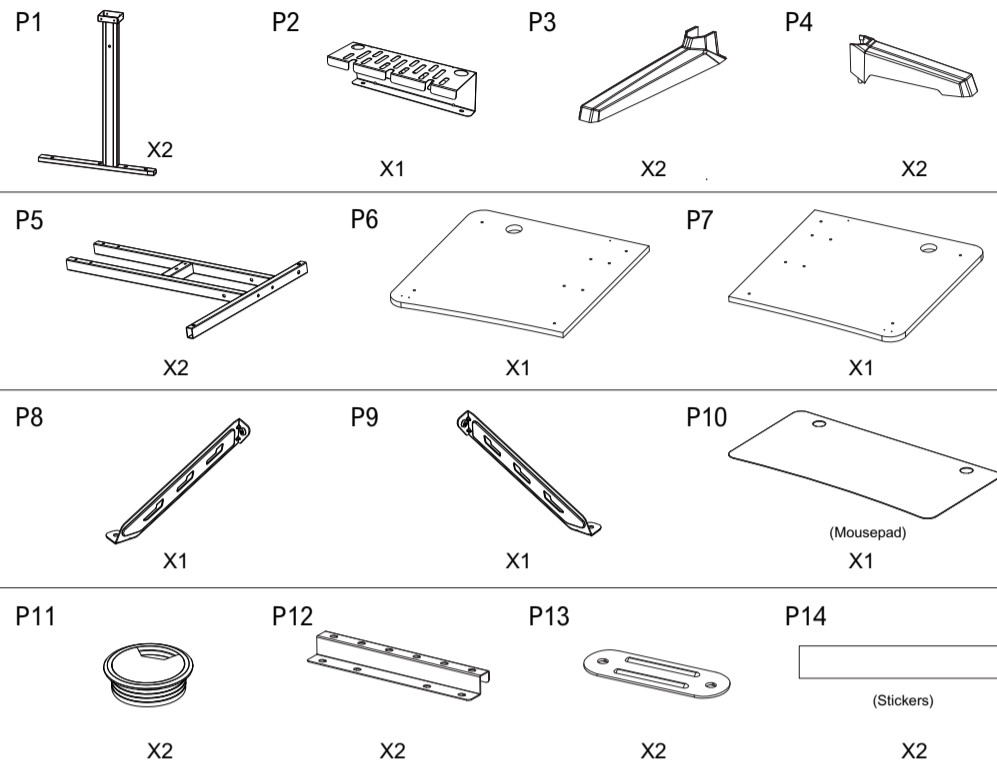
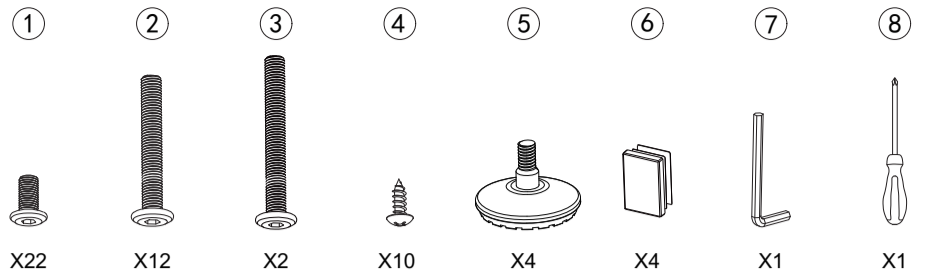


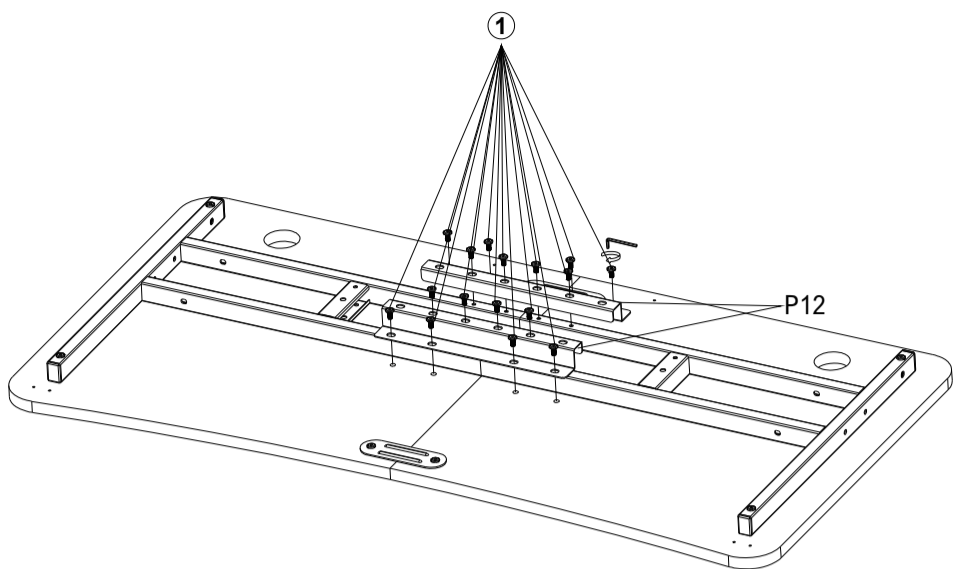
Caution: This instruction manual is intended for universal reference, slight variations in part dimensions are normal.
(Manual Number: 602-09-0494)

COMPONENT



5

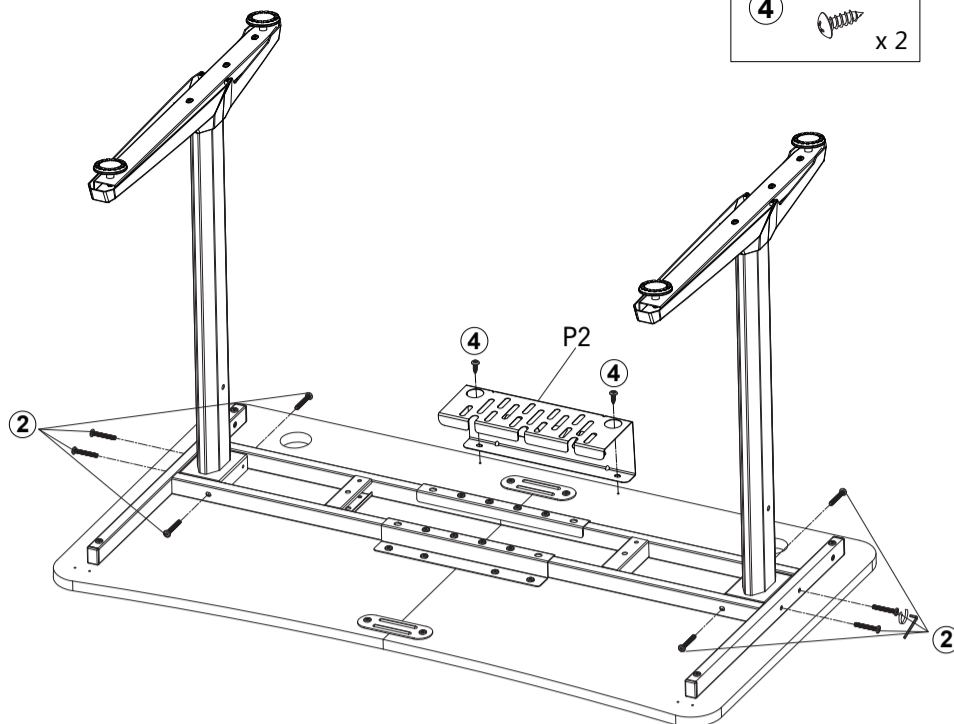
① x 16



6

② x 8

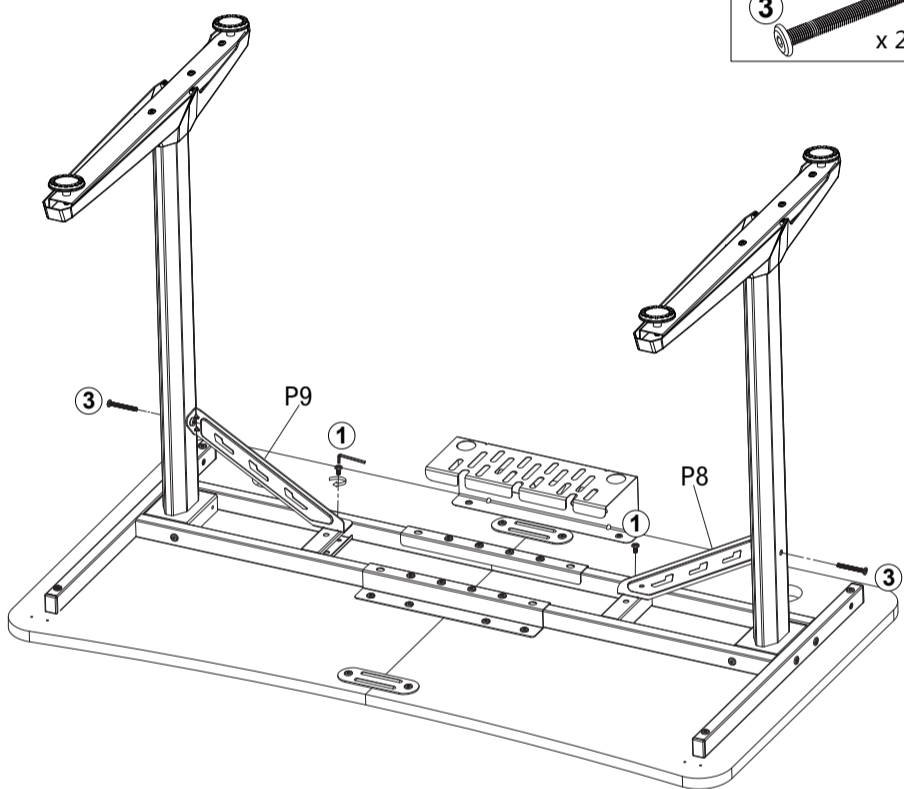
④ x 2



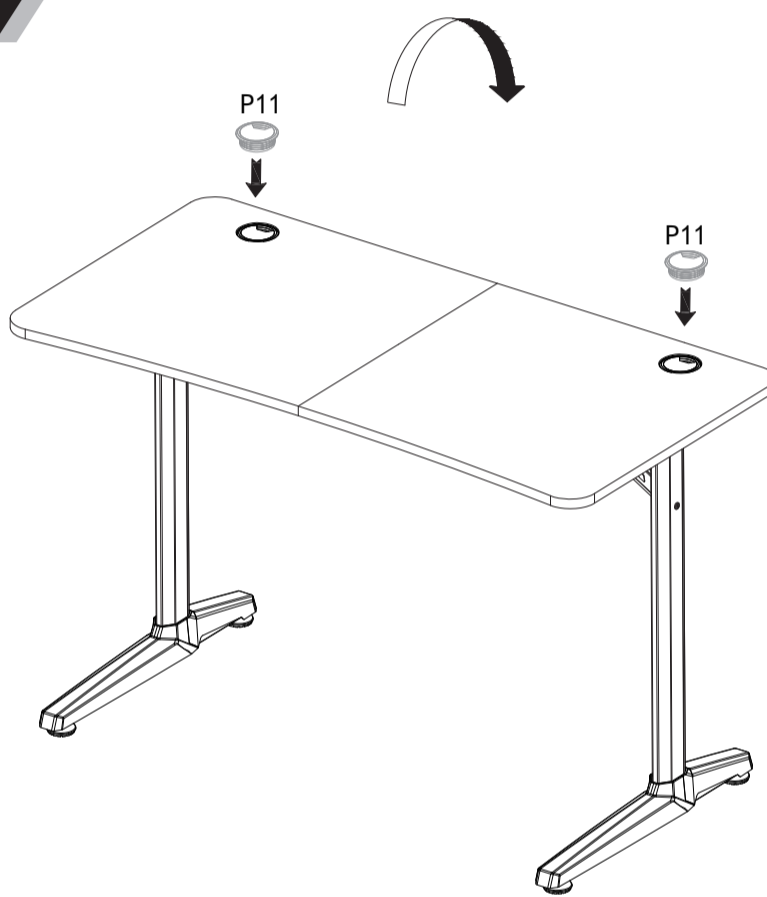
7

① x 2

③ x 2



8



9

ACCESSORY

