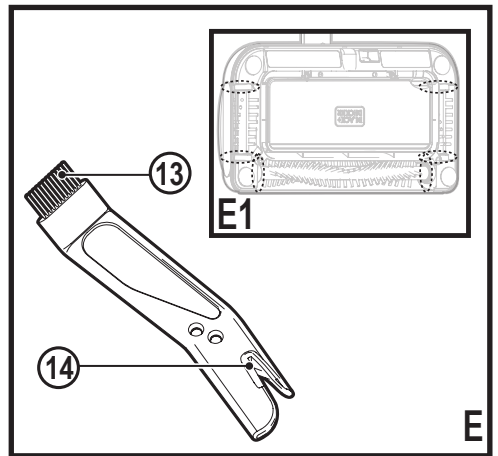
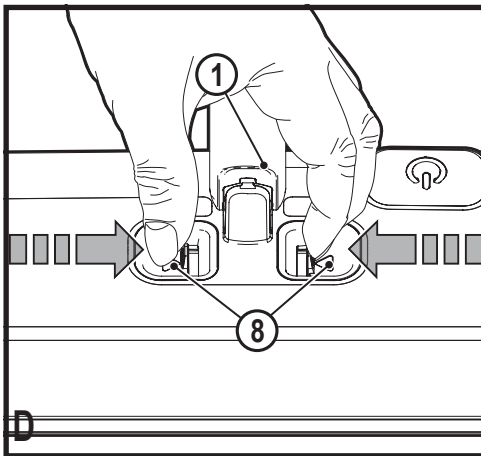
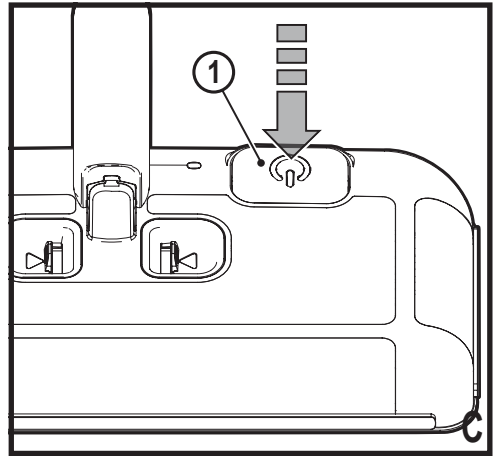
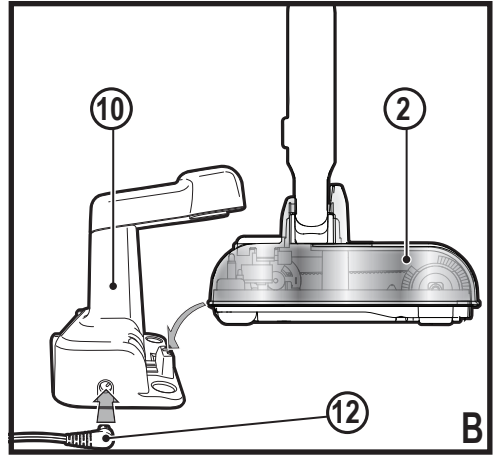
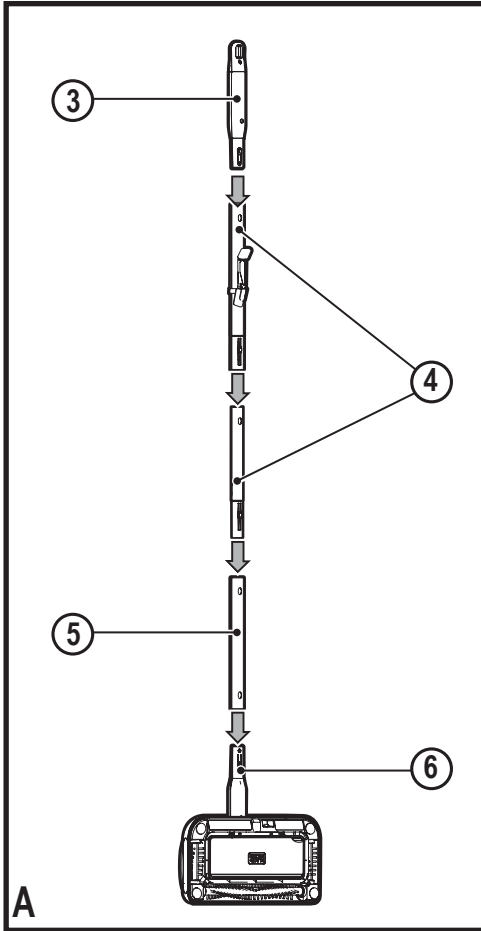


www.blackanddecker.co.uk

PSA115B
PSA215B



Intended use

Your BLACK + DECKER PSA115B and PSA215B Dustbuster® powered floor sweeper has been designed for light dry vacuum cleaning purposes. This appliance is intended for household use only.

Safety instructions**Warning! Read all safety warnings and all instructions.**

Failure to follow the warnings and instructions listed below may result in electric shock, fire and/or serious injury.



Warning! When using battery-powered appliances, basic safety precautions, including the following, should always be followed to reduce the risk of fire, leaking batteries, personal injury and material damage.

- ◆ Read all of this manual carefully before using the appliance.
- ◆ The intended use is described in this manual. The use of any accessory or attachment or the performance of any operation with this appliance other than those recommended in this instruction manual may present a risk of personal injury.
- ◆ Retain this manual for future reference.

Using your appliance

- ◆ Do not use the appliance to pick up liquids or any materials that could catch fire.
- ◆ Do not use the appliance near water.
- ◆ Do not immerse the appliance in water.
- ◆ Never pull the charger lead to disconnect the charger from the socket.

Keep the charger lead away from heat, oil and sharp edges.

- ◆ This appliance can be used by children aged from 8 years and above and persons with reduced physical, sensory or mental capabilities or lack of experience and knowledge if they have been given supervision or instruction concerning use of the appliance in a safe way and understand the hazards involved. Children shall not play with the appliance. Cleaning and user maintenance shall not be made by children without supervision.

Inspection and repairs

- ◆ Before use, check the appliance for damaged or defective parts. Check for breakage of parts, damage to switches and any other conditions that may affect its operation.
- ◆ Do not use the appliance if any part is damaged or defective.
- ◆ Have any damaged or defective parts repaired or replaced by an authorized repair agent.
- ◆ Regularly check the charger lead for damage. Replace the charger if the lead is damaged or defective.
- ◆ Never attempt to remove or replace any parts other than those specified in this manual.

Additional safety instructions**Residual risks.**

Additional residual risks may arise when using the tool which may not be included in the enclosed safety warnings. These risks can arise from misuse, prolonged use etc.

Even with the application of the relevant safety regulations and the implementation of safety devices, certain residual risks can not be avoided. These include:

- ◆ Injuries caused by touching any moving parts.
- ◆ Injuries caused by touching any hot parts.
- ◆ Injuries caused when changing any parts or accessories.
- ◆ Injuries caused by prolonged use of the appliance. When using any appliance for prolonged periods ensure you take regular breaks.

Batteries and chargers

Batteries

- ◆ Never attempt to open for any reason.
- ◆ Do not expose the battery to water.
- ◆ Do not expose the battery to heat.
- ◆ Do not store in locations where the temperature may exceed 40°C.
- ◆ Charge only at ambient temperatures between 10°C and 40°C.
- ◆ Charge only using the charger provided with the appliance/tool. Using the wrong charger could result in an electric shock or overheating of the battery.
- ◆ When disposing of batteries, follow the instructions given in the section "Protecting the environment".
- ◆ Do not damage/deform the battery pack either by puncture or impact, as this may create a risk of injury and fire.
- ◆ Do not charge damaged batteries.
- ◆ Under extreme conditions, battery leakage may occur. When you notice liquid on the batteries carefully wipe the liquid off using a cloth. Avoid skin contact.

- ◆ In case of skin or eye contact, follow the instructions below.

Warning! The battery fluid may cause personal injury or damage to property. In case of skin contact, immediately rinse with water. If redness, pain or irritation occurs seek medical attention. In case of eye contact, rinse immediately with clean water and seek medical attention.

Chargers

Your charger has been designed for a specific voltage. Always check that the mains voltage corresponds to the voltage on the rating plate and the information in the technical data table.

Warning! Never attempt to replace the charger unit with a regular mains plug.

- ◆ Use your BLACK+DECKER charger only to charge the battery in the appliance/tool with which it was supplied. Other batteries could burst, causing personal injury and damage.
- ◆ Never attempt to charge non-rechargeable batteries.
- ◆ If the supply cord is damaged, it must be replaced by the manufacturer or an authorised BLACK+DECKER Service Centre in order to avoid a hazard.
- ◆ Do not expose the charger to water.
- ◆ Do not open the charger.
- ◆ Do not probe the charger.
- ◆ The appliance/tool/battery must be placed in a well ventilated area when charging.

Electrical safety

Your charger has been designed for a specific voltage. Always check that the mains voltage corresponds to the voltage on the rating plate. Never attempt to replace the charger unit with a regular mains plug.

Symbols on the charger



Read all of this manual carefully before using the appliance.



This tool is double insulated; therefore no earth wire is required. Always check that the power supply corresponds to the voltage on the rating plate.



The charging base is intended for indoor use only.

Labels on appliance

The following symbols appear on this appliance along with the date code:



Only use with charger N494249

Features

This tool includes some or all of the following features.

1. On/off power button
2. Sweeper head
3. Handle
- 3a. Hole for storage
4. Middle poles (x2)
5. Lower pole
6. Sweeper head pole
7. Dustbin
8. Dustbin release tabs
9. Cleaning tool
10. Charging dock
11. Storage magnet

Assembly (Fig. A)

- ◆ Slide the lower pole (5) into the sweeper head pole (6). Ensure the slot of the lower pole is on the top.
- ◆ Slide one of the middle poles (4) into the lower pole. Ensure the nub of the middle pole lines up with the slot of the lower pole.
- ◆ Slide the second middle pole into the first. Ensure the nub of the second middle pole lines up with the slot of the first middle pole.
- ◆ Slide the handle (3) into the second middle pole (4). Ensure the nub of the handle lines up with the slot of the middle pole.

Charging the battery (Fig. B)

- ◆ The battery will need to be charged for a minimum of 10 hours before first use to ensure full power.

- ◆ Plug the jack plug of the charger (12) into the charging dock (10) of the tool as shown in Figure B. Plug the charger into a power outlet. The charging indicator will be lit. While charging, the charger may get warm, this is perfectly normal and safe. It is safe to leave the appliance connected to the charger indefinitely. The charger automatically reduces power consumption when charging is complete.
- ◆ When charging is complete, the LED will turn off.

Use

Switching on and off (Fig. C)

- ◆ To switch the appliance on, press and hold the on/off switch (1) with your foot.
- ◆ To switch the appliance off, depress the button again.

Emptying and cleaning the product (Fig. D)

- ◆ Hold the sweeper over a garbage can.
- ◆ Simultaneously press both dust bin release tabs (8). The door of the dust bin (7) underneath the sweeper head (2) will drop open, releasing the dust and dirt.
- ◆ Close the dust bin door until the two release tabs click into place.

Cleaning beater bars Fig. E

- ◆ Turn the sweeper upside-down to expose the beater brushes.
- ◆ Use the comb side (13) of the cleaning tool (9) to pull away any hair or debris.
- ◆ If needed, use the blade side (14) of the cleaning tool to cut away hair or debris for easier removal.

Note: Ensure all hair is removed from the areas shown in figure E1.

Storage

Warning! Store the sweeper so that if the handle falls, it will not strike a person, animal, or valuable.

- ◆ To store, lift the back of the sweeper head (2) up until the storage magnet (11) engages with the metal plate.
- ◆ Place the plastic caps of the cleaning tool on either end and snap the tool onto a pole.
- ◆ The sweeper has a hole (3a) situated on the handle (3) which is ideal for hanging the unit from a wall fitting.

Note: Always empty the unit before storing.

Maintenance

Your BLACK+DECKER corded/cordless appliance/tool has been designed to operate over a long period of time with a minimum of maintenance. Continuous satisfactory operation depends upon proper tool care and regular cleaning.

Warning! Before performing any maintenance on corded/cordless power tools:

- ◆ Switch off and unplug the appliance/tool.
- ◆ Or switch off and remove the battery from the appliance/tool if the appliance/tool has a separate battery pack.
- ◆ Or run the battery down completely if it is integral and then switch off.
- ◆ Unplug the charger before cleaning it. Your charger does not require any maintenance apart from regular cleaning.
- ◆ Regularly clean the ventilation slots in your appliance/tool/charger using a soft brush or dry cloth.
- ◆ Regularly clean the motor housing using a damp cloth. Do not use any abrasive or solvent-based cleaner.

Protecting the environment



Separate collection. Products and batteries marked with this symbol must not be disposed of with normal household waste.

Products and batteries contain materials that can be recovered or recycled reducing the demand for raw materials. Please recycle electrical products and batteries according to local provisions. Further information is available at www.2helpU.com

Guarantee

Black & Decker is confident of the quality of its products and offers consumers a 24 month guarantee from the date of purchase. This guarantee is in addition to and in no way prejudices your statutory rights. The guarantee is valid within the territories of the Member States of the European Union and the European Free Trade Area.

To claim on the guarantee, the claim must be in accordance with Black&Decker Terms and Conditions and you will need to submit proof of purchase to the seller or an authorised repair agent. Terms and conditions of the Black&Decker 2 year guarantee and the location of your nearest authorised repair agent can be obtained on the Internet at www.2helpU.com, or by contacting your local Black & Decker office at the address indicated in this manual.

Please visit our website www.blackanddecker.co.uk to register your new Black & Decker product and receive updates on new products and special offers.

Technical data

	PSA115B	PSA215B
Voltage (V _{dc})	3.6	7.2
Battery	1.5Ah	1.5Ah
Weight (Kg)	0.9	0.95
Charger	N494249	N494249
Input Voltage (V _{ac})	100 - 240	100 - 240
Output Voltage (V)	15	15
Current (mA)	150	150
Approx. charge time (h)	10	10

Australia	Black & Decker (Australia) Pty. Ltd. 20 Fletcher Road, Mooroolbark, Victoria, 3138	Tel. Fax	03-8720 5100 03-9727 5940
New Zealand	Black & Decker 5 Te Apunga Place Mt Wellington Auckland 1060	Tel. Fax	+64 9 259 1133 +64 9 259 1122
United Kingdom & Republic Of Ireland www.blackanddecker.co.uk emeaservice@sbdinc.com	Black & Decker 210 Bath Road Slough, Berkshire SL1 3YD	Tel. Fax	01753 511234 01753 512365
