

## Warning

Improper product use may lead to electrical shocks, accidental fire, personal injuries, and other damages.

- ⊗ Please do not operate the product on an uneven or unsteady surface where it may topple over.
- ⊗ Please do not operate the product near other objects which may topple over.
- ⊗ Please do not operate the product in a hot and humid environment, such as a bathroom.
- ⊗ Please discontinue your use of the product if the power cord is damaged or the power plug is loose.
- ⊗ Please do not operate the product if the fan grille is not properly installed or the rear fan grille is loose/missing.
- ⊗ This appliance can be used by children aged from 8 years and above and persons with reduced physical, sensory or mental capabilities or lack of experience and knowledge if they have been given supervision or instruction concerning use of the appliance in a safe way and understand the hazards involved.
- ⊗ Children shall not play with the appliance.

1

## Safety Instructions

### Precautions

#### Transportation

- ⚠ Make sure that the fan stops working and is unplugged when moving.
- ⚠ Hold the fan support firmly to avoid falling and hurting people.

#### Installation

- ⚠ Make sure that the product is installed correctly as per the instructions in order to prevent electrical shock, fire, personal injury and other damages.
- ⚠ Please disconnect the AC power cord when installing and disassembling the fan. Do not touch the "On/off and blast adjustment button" of the fan containing batteries to prevent dangerous operation.

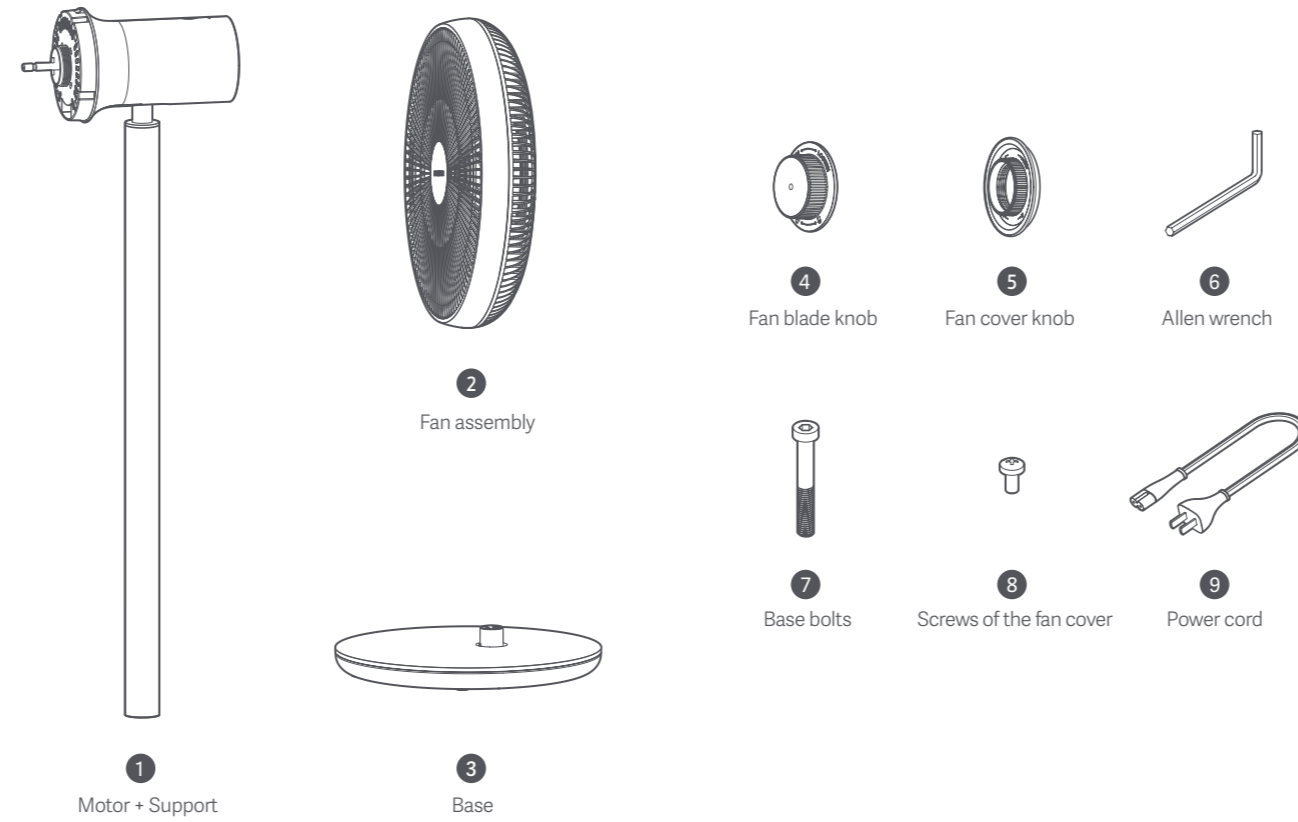
#### In use

- ⚠ Stop using the product immediately if there are abnormal noise and odour, high temperature and irregular fan rotation.
- ⚠ Do not lean against or tilt the fan during operation.
- ⚠ Do not disassemble the product privately. Please contact the after-sales service center of Smartmi for repair consultation.

2

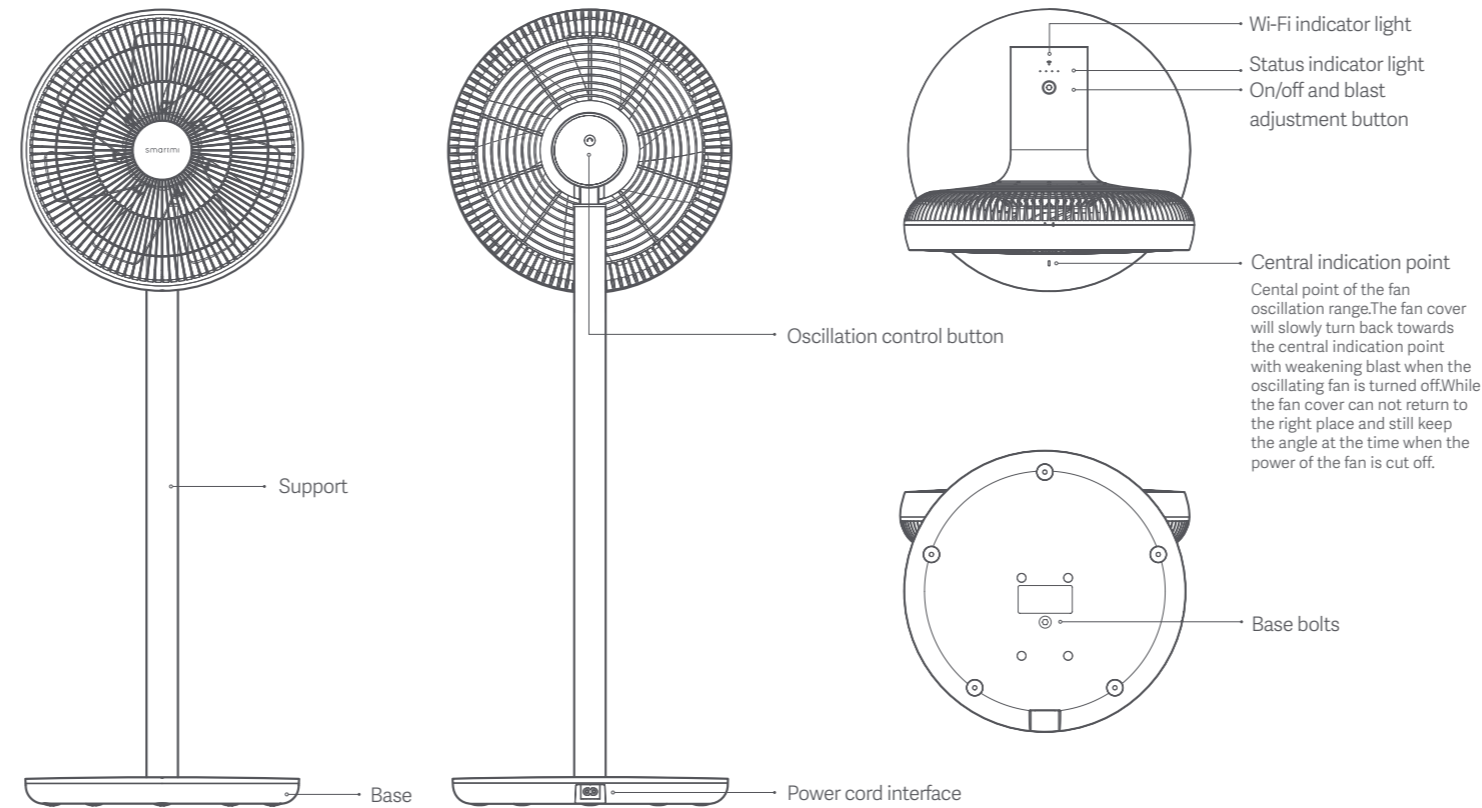
- ⊗ Cleaning and user maintenance shall not be made by children without supervision.
- ⊗ Please do not take the product apart on your own.
- ⊗ Please do not fold, bend, or twist the power cord with excessive force to prevent exposed or broken wires.
- ⊗ Please do not insert your finger or foreign objects into the front fan grille, rear fan grille, or the fan blades while the fan is in operation.
- ⊗ Please keep your hair or fabrics away from the fan to prevent objects from becoming entangled in the fan blades.
- ⊗ Please do not plug the product into an inappropriate AC power socket.
- ⊗ Please do not use the supplied power cord with any other product.
- ⊗ This appliance contains batteries that are only replaceable by skilled persons.

## Packing list



3

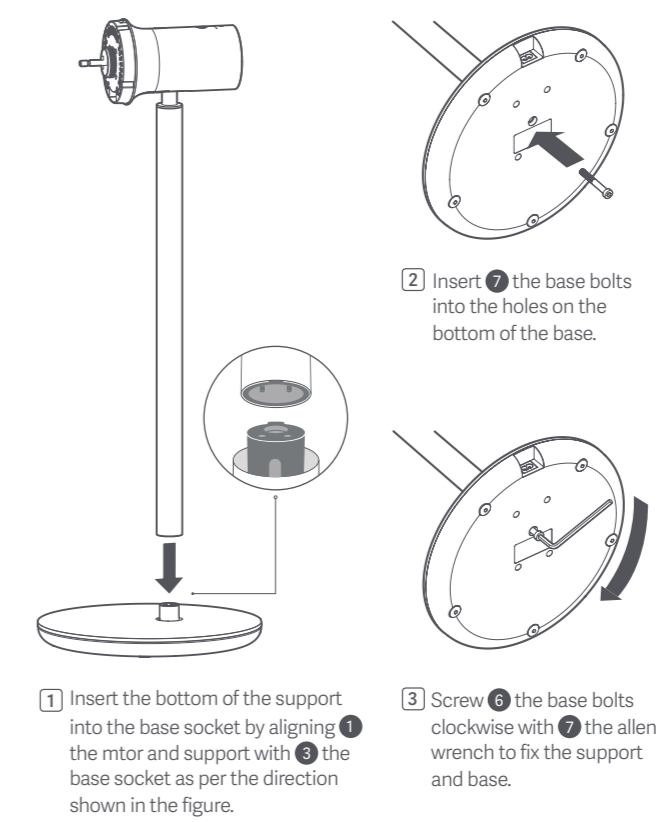
## Product Overview



4

## Installation

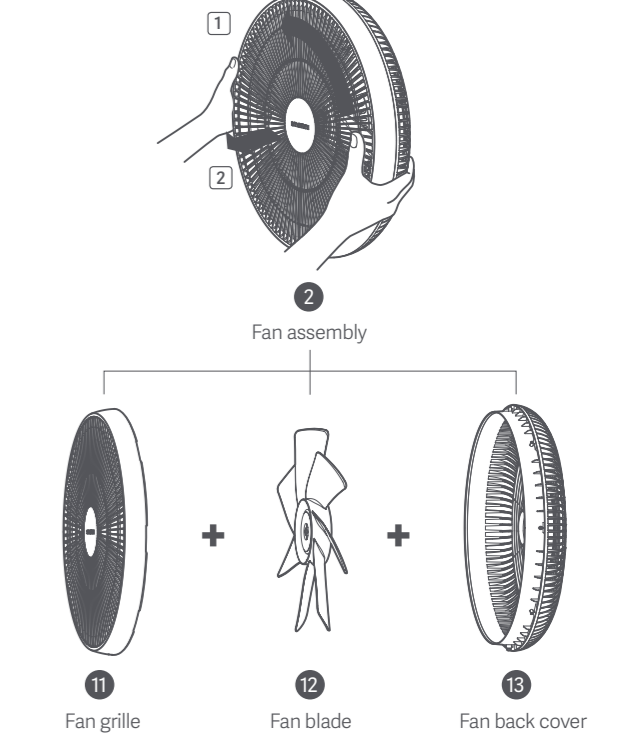
### Installation of base



5

### Open the fan assembly

Take out the fan assembly and loose it by rotating the grille counterclockwise as per figure ①. Remove the grille as per direction ② and then take out the blades.

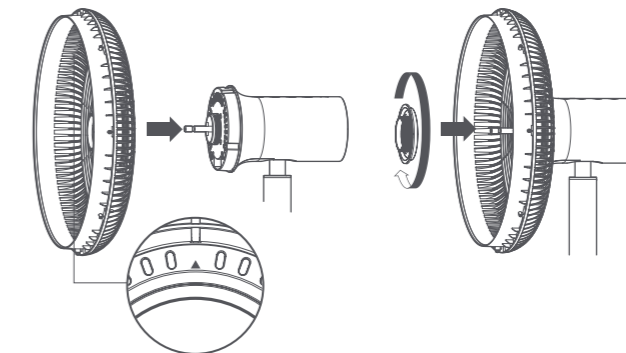


6

## Installation

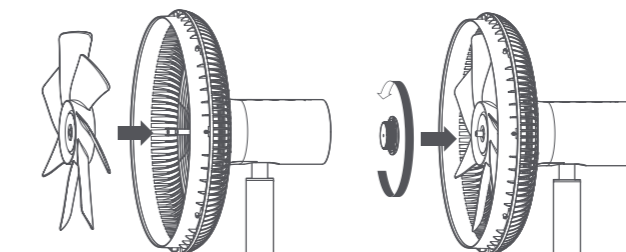
### Installation of fan back cover

Install the back cover to the motor head with the fiducial mark ▲ upwards. Rotate ⑤ the fan cover knob clockwise to fix the fan back cover and the motor head.



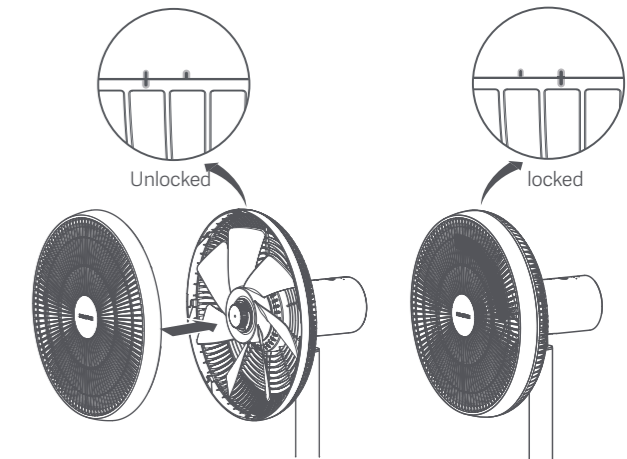
### Installation of fan blades

Install the fan blades in place by aligning the central holes of the blades with the motor shaft. Rotate ④ the fan blade knob counterclockwise to fix the blades towards the installed fan back cover.



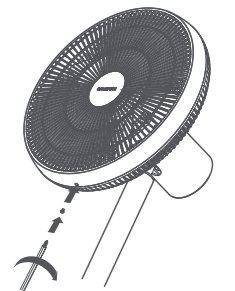
### Installation of fan grille

Insert the fan grille into the back cover frame and rotate the grille clockwise to align with the engraving mark on the back cover.



### Fix fan grille

Insert ⑧ the screws into the holes on the bottom of the fan cover and screw clockwise with a cross screwdriver.



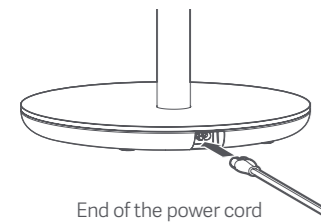
6

## Installation

### Attach the power/battery to charge

Attach the end of the power cord to the power interface at the back of the base and then insert the plug to attach the power to charge.

The fan base can be used independently by pulling out the power cord if the batteries inside the base are fully charged. Fan operation will charge the battery fully instead of consuming it when the fan installed with battery is connected to the power.



End of the power cord

### About "works with mijia"

"works with mijia" means the product can be controlled by mijia APP or Xiaocai .Please note that "works with mijia" only acts as the verification of the software. Xiaomi and mijia are not responsible for the production, standards implementation, quality supervision and the like of the product.



### Connect with Mi Home / Xiaomi Home App

This product works with Mi Home / Xiaomi Home app\*. Control your device with Mi Home / Xiaomi Home app.

Scan the QR code to download and install the app. You will be directed to the connection setup page if the app is installed already. Or search "Mi Home / Xiaomi Home" in the app Store to download and install it.

Open Mi Home / Xiaomi Home app, tap "+" on the upper right, and then follow prompts to add your device.



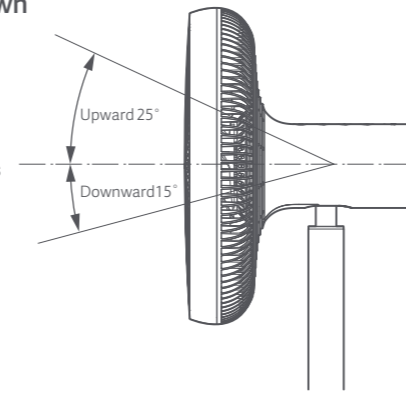
\*The app is referred to as Xiaomi Home app in Europe (except for Russia). The name of the app displayed on your device should be taken as the default.

Note: The version of Mi Home app might have been updated, please follow the instructions based on the current app version.

## Application

### Blast up and down

Gently lift or press the head or cover of the fan to adjust the blast orientation upwards or downwards

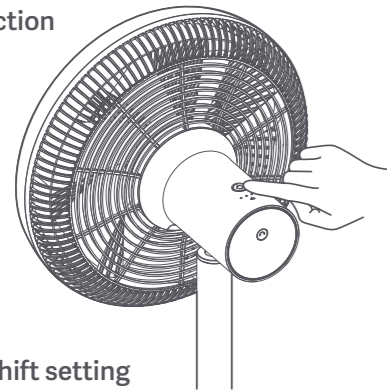


### More Functions

You can use APP to switch on natural breeze mode, set oscillating angle and Timer setting.


## Application

### Function introduction



### On/off and gear shift setting


On

Press the  button to turn on the fan. Set the blast gear to 1 when the fan is first used and turned on. When the fan is turned on again, the blast gear will default to the one it used last time.

Off

Long press the  button for 2 seconds to stop the fan from working.


### Status indicator light

Press the  button to change the fan speed. The blast will be switched between 1, 2, 3, 4 while the corresponding status indicator light will turn on with each press (see table below).



Gear	Off	1	2	3	4
Display status	● ● ● ●	● ● ● ● *	● ● ● ● *	● ● ● ● *	● ● ● ● *

\* Light on ● Light off

### Oscillation control setting

Press the  button to set whether or not to oscillate the fan. The fan will automatically turn back to the right place after it is turned off.

### Wi-Fi module resetting

When your phone cannot connect with the fan, please press down the  and the  buttons at the same time for 5 seconds, until you hear the sound of "didi" to reset the Wi-Fi.



### Wi-Fi indicator status display

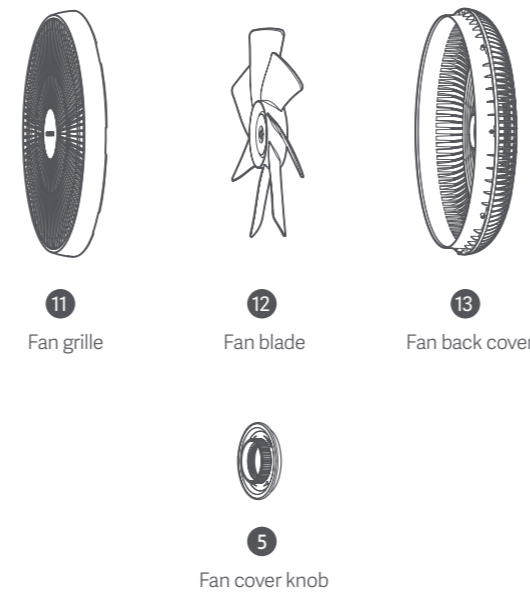
Connected  Always on  
Not connected  Flashing light

## Maintenance

### Cleaning of the fan

#### Parts can be cleaned

The following parts can be cleaned with a soft cloth or sponge using clear water or diluted neutral detergent.



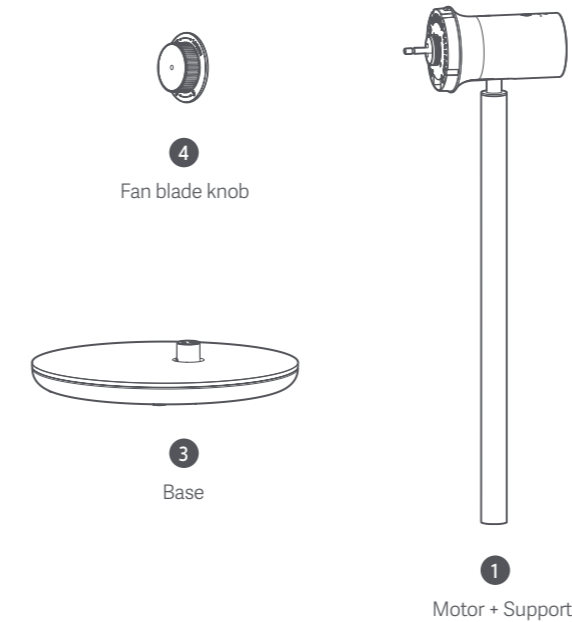
⚠ Make sure that the disassembling and cleaning of the fan are performed after it stops working. Please completely dry the parts after cleaning and avoid direct sunlight before installing and using them again.

## Fault clearance

Faults	Fault reasons	Solutions
The fan does not work	Dead power outlet	Replace with a live outlet
	The power cord is not attached in place	Correctly attach the power cord
	The support and base of the fan are not installed in place.	Align the fan support with the base socket, and lock the connected screws.
Cannot connect to Wi-Fi	The channel of the router is 5G.	Connect to the 2.4G channel of the router.
	Mobile APPs take up too much memory.	Completely close and restart the APP
Fan blades block and stop with a long blast of sound from the fan for three times and four flashing status indicator lights.	The fan does not connect to the Internet for more than half an hour.	Reset Wi-Fi (Reset as per the Wi-Fi module)
	Fan blades are blocked by foreign matters.	Turn off the fan and take out the foreign matters.
	Motor fault	Contact the after-sales personnel

#### Parts cannot be cleaned

The following parts should be slightly wiped with a soft and dry cloth.



⚠ Do not flush the above parts with water.  
⚠ Do not use diluents, light gasoline, detergents or alkaline detergents.

## Basic parameters

Product name	Smartmi Standing Fan 2S	Nominal voltage	100V - 240V~	Power cord	1.5m
Model	ZLBPLDS03ZM	Nominal frequency	50/60Hz	Battery type	Lithium-ion battery pack
Gross weight	approx. 4.9kg	Nominal power	25W	Rated capacity of battery	2800mAh ( 33.6Wh )
Net weight	approx. 3.5kg	Product size	340mm × 330mm × 960mm	Noise	≤60dB(A)
Wireless connection	Wi-Fi IEEE 802.11 b/g/n 2.4GHz	Max. RF Output Power	Wi-Fi 2.4G (2400-2483.5MHz): <20dBm		

## Regulatory compliance information



### Europe — EU declaration of conformity

We Beijing Smartmi electronic technology Co., Ltd. hereby, declares that this equipment is in compliance with the applicable directives and european norms, and amendments. The full text of the EU declaration of conformity is available at the following internet address: <https://smartmi.com.cn/doc.html>



### Disposal and recycling information

Correct disposal of this product. This marking indicates that this product should not be disposal with other household wastes. To prevent possible harm to the environment or human health from uncontrolled waste disposal, recycle it responsibly to promote the sustainable reuse of material resources. To return your used device, please use the return and collection systems or contact the retailer where the product was purchased. They can take this product for environmental safe recycling.

Manufacturer Beijing Smartmi Electronic Technology Co., Ltd.

Address: 11-1102, Office Building Rainbow City, NO.68 Qinghe Mid-Street, Haidian District, Beijing, P.R. China 190328-C

## Operation Manual of Smartmi Standing Fan 2S

Please read the operation manual carefully and keep it properly before using the product.