

xiaomi Air Fryer Essential 6L User Manual



Read this manual carefully before use, and retain it for future reference.

Thank you for choosing Xiaomi Air Fryer Essential 6L. This product is for household use only. Illustrations of product, accessories, and user interface in the user manual are for reference purposes only. Actual product and functions may vary due to product enhancements.

Safety Instructions

- This appliance can be used by children aged from 8 years and above and persons with reduced physical, sensory or mental capabilities or lack of experience and knowledge if they have been given supervision or instruction concerning use of the appliance in a safe way and understand the hazards involved. Children shall not play with the appliance. Cleaning and user maintenance shall not be made by children unless they are older than 8 and supervised.
- Please keep the air fryer and the power cord out of the reach of children aged under 8.
- For household use only.
- If the power cord is damaged or broken, it must be replaced by the manufacturer or after-sales service department to avoid safety hazards.
- The temperature of the accessible surface may rise while the air fryer is working.
- The surface will heat up easily while the air fryer is in use.
- The air fryer should not be operated via an external timer or a separate remote control.
- Do not block the air fryer's air inlet and outlet, nor the heat dissipation vents during use to avoid affecting its normal heat dissipation.
- Any non-professionally trained technicians should not modify the internal wiring of the air fryer.
- Do not use charcoal or other similar fuel sources to heat the basket, or frying plate.
- Do not place the basket on any other heat sources, such as an induction cooker or gas stove.
- Do not plug or unplug the power cord with wet hands to avoid the risk of an electrical shock.
- Do not use a power cord with loose connection or poor contact.
- Do not let the power cord cross through sharp objects to avoid damage to the power cord.

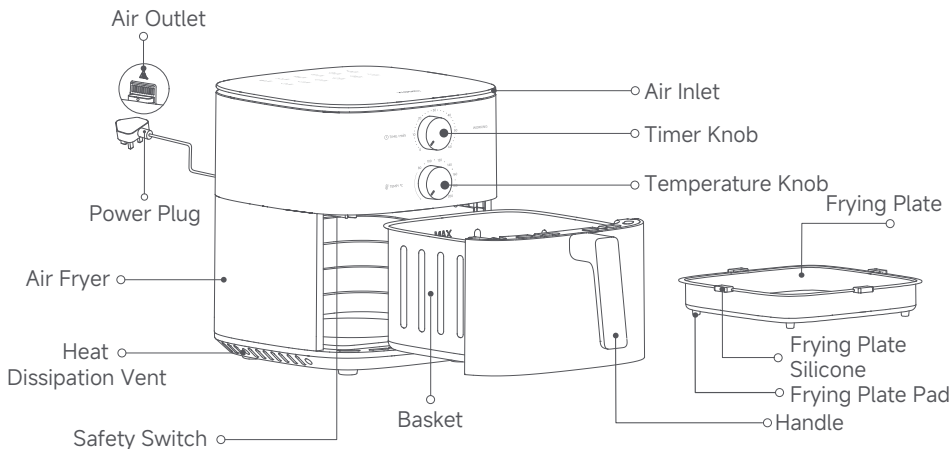
- Do not use the air fryer to store any items, especially flammable, explosive, or corrosive items.
- Do not excessively pinch, bend, twist, or place heavy objects on the power cord to prevent from exposing or breaking its core.
- Stop using the air fryer immediately and unplug it from the power source if it doesn't function normally or malfunctions.
- The air fryer cannot be started without the basket being in place.
- Do not touch the basket directly with your hands during or right after use to avoid getting scalded.
- Do not allow children to get close to or play with the cling wrap and packaging to avoid suffocation accidents.
- Do not use any plastic utensils or normal paper wrapping materials to wrap food for cooking.
- Do not drop this air fryer or bump it against hard objects to avoid damage or malfunction.
- Do not insert pins, wires or other objects into any of the openings of the air fryer to avoid an electrical shock or injury.
- Do not use any accessories that are not recommended by the manufacturer.
- The normal operating altitude range of this product is 0–2000 meters.
- Keep a distance of 30 cm or more between the air outlet and other devices during use.
- Do not move or shake the air fryer during use.
- Do not insert any foreign objects into the safety switch to avoid causing any danger.
- When placing the air fryer in a kitchen cabinet, etc., please ensure that it is well ventilated.
- Please be sure to unplug the air fryer before cleaning or repairing it.
- This product must be used on a level, heat-resistant surface to avoid damage to the product or accidents.
- Ensure that the silicone parts of the air fryer do not come into contact with ethanol or solutions that contain more than 50% of alcohol.
- Please ensure that the electrical outlet the air fryer is plugged into is well grounded to avoid an electrical shock or other safety hazards.

- Only use a grounded electrical outlet with a rated current of 10 A to avoid the risk of fire and other potential hazards.



CAUTION: Hot surfaces.

Product Overview



Note: The silicone rubber on the frying plate is made of high temperature resistant food-grade materials to prevent the edges of the frying plate from scratching the coating of the basket and to improve the stability of the frying plate. Do not remove the silicone rubber from the frying plate.

First-time Use

1. Be sure to remove all packaging materials before use.
2. Use hot water and liquid detergent with a non-abrasive sponge to clean the frying plate and basket, then wipe the inside and outside of the air fryer with a clean soft cloth.
3. The air fryer may give off a minor odor on first use. It is recommended to run the air fryer with an empty basket at the maximum temperature (200°C) for 5 minutes to remove the odor. The air fryer may emit a small amount of white smoke or an odor while running with an empty basket, which is normal.

Use

1. Place the air fryer on a stable, level surface and ensure that there is air circulation around the air fryer.
2. Place the frying plate at the bottom of the basket and put the prepared food onto the frying plate. It is recommended to keep the food below the MAX mark on the basket, so as to ensure the best cooking results without the need to turn over the food.
3. Completely push the basket into the air fryer, set the temperature and time according to the recipe selected and your personal preference, and then start the air fryer for cooking.
4. When the basket is pulled out during cooking, the air fryer will pause working. When the basket is pushed in place again, the air fryer will resume cooking.
5. Once the cooking countdown ends, the air fryer will beep once to indicate the completion of cooking. Carefully take out the basket and use tongs to remove the food.

Note: If the food is not fully cooked, push the basket in, set the temperature and time again, and then start the air fryer for secondary cooking.

Cleaning & Maintenance

Unplug the power cord before cleaning and maintaining the air fryer, and wait for it to cool down to a safe temperature before proceeding. Please remove the basket from the air fryer when cleaning the air fryer.

- Surface of the air fryer:

The surface of the air fryer can be wiped with a dry, soft cloth or a sponge moistened with a neutral cleaning detergent.

- Cavity:

To remove stains from the inside of the air fryer, apply a suitable amount of detergent diluted in hot water to its surface and let it sit for about 10 minutes, then use a soft sponge moistened with water to wipe away the detergent residue.

- Basket:

Clean the air fryer after each use. The basket of the air fryer is coated, so do not use any steel wool or other abrasive cleaning materials to clean it as they may damage the coating.

- Frying plate :

Use a soft, cotton cloth or sponge moistened with neutral detergent to wipe it clean, then moisten it with water to wipe away the detergent residue.

Note: The frying plate can be separated and placed in a dishwasher for cleaning; the basket can be washed in water or cleaned in a dishwasher; however, the air fryer can neither be washed in water nor cleaned in a dishwasher.

Cleaning Precautions

1. After using the air fryer, please unplug it in time. Do not place it near any sources of ignition and do not immerse it in water. Do not place the power plug directly on the air fryer, or its surface may be scratched by the power plug.
2. Cleaning and maintenance should only be done after the air fryer has cooled down.
3. Do not use any corrosive or abrasive cleaning materials or detergents.

Note: Regular cleaning and maintenance of the air fryer will help to extend its service life.

Maintenance Tips

- Only professionally trained and qualified technicians should repair the air fryer.
- Others should not repair the air fryer without permission to avoid serious consequences.
- When the air fryer malfunctions, please refer to Troubleshooting before contacting the after-sales service team.
- If the issue persists, please unplug the power cord to disconnect it and contact the after-sales service team.

Troubleshooting

| Issue | Possible Causes | Solutions |
|--|---|--|
| The air fryer doesn't function. | The air fryer is not connected to a power supply. | Plug the power cord into a grounded electrical outlet. |
| | The basket is not pushed into place. | Pull out the basket and push it back into place. |
| | Time and temperature not set | Turn the timer knob and temperature knob to set the time and temperature. |
| The fan doesn't rotate. | The fan blade is stuck. | Contact the after-sales service team. |
| | The motor is damaged or other components have a broken circuit. | Contact the after-sales service team. |
| White smoke is coming out. | Cooking high-fat ingredients | It is normal for the air fryer to emit a lot of smoke when cooking high-fat ingredients. |
| | Grease residual from the previous cooking in the basket | Clean the air fryer after each cooking. |
| Can't insert the basket into the air fryer smoothly. | Too many ingredients in the basket. | The ingredients in the basket cannot exceed the MAX mark. |
| | The basket is not properly inserted. | Properly insert the basket. |

Specifications

| | | |
|---|---------------------------|----------------------|
| Name: Oven (Air Fryer) | Capacity: 6 L | Color: White |
| Model: MAF13 | Rated Frequency: 50–60 Hz | Net Weight: 4.4 kg |
| Rated Power: 1550 W | Rated Voltage: 220–240 V~ | Gross Weight: 5.5 kg |
| Operating Temperature: -10°C to 40°C Package Dimensions: 415 × 326 × 360 mm | | |

Under normal use of condition, this equipment should be kept a separation distance of at least 20 cm between the antenna and the body of the user.



Hereby, Ningbo Careline Electric Appliance Co., Ltd. declares that the radio equipment type Oven (Air Fryer) MAF13 is in compliance with Directive 2014/35/EU. The full text of the EU declaration of conformity is available at the following internet address: <http://www.mi.com/global/service/support/declaration.html>



All products bearing this symbol are waste electrical and electronic equipment (WEEE as in directive 2012/19/EU) which should not be mixed with unsorted household waste. Instead, you should protect human health and the environment by handing over your waste equipment to a designated collection point for the recycling of waste electrical and electronic equipment, appointed by the government or local authorities. Correct disposal and recycling will help prevent potential negative consequences to the environment and human health. Please contact the installer or local authorities for more information about the location as well as terms and conditions of such collection points.

Power Consumption

Off mode: ≤ 0.5 W

Manufactured for: Xiaomi Communications Co., Ltd.
Manufactured by: Ningbo Careline Electric Appliance Co., Ltd.
(a Mi Ecosystem company)
Address: No.558, Wei'er Road, Andong Industrial Zone,
Hangzhou Bay New Area, Ningbo, 315327, Zhejiang, P.R. China
For further information, please go to www.mi.com

User Manual Version: V1.0

EU REP.
Xiaomi Technology Netherlands B.V.
Prinses Beatrixlaan 582, 2595BM,
The Hague, The Netherlands
contact@support.mi.com

UK REP.
Xiaomi Technology UK Limited
Davidson House, Forbury Square, Reading,
Berkshire RG1 3EU
contact@support.mi.com

