

Tefal®

en

zh

th

id

vi



EASY FRY™ & GRILL DIGITAL

www.tefal.com

IMPORTANT SAFEGUARDS

When using electrical appliances, basic safety precautions should always be followed, including the following:

1. Read all instructions before using.
2. Do not touch hot surfaces. Use handles or knobs.
3. To protect against electric shock, do not immerse cord, plugs or fryer in water or other liquid.
4. Close supervision is necessary when any appliance is used by or near children.
5. Unplug from outlet when not in use and before cleaning. Allow to cool before putting on or taking off parts.
6. Do not operate any appliance with a damaged cord or plug or after the appliance malfunctions, or has been damaged in any manner. Return appliance to the nearest authorized service facility for examination, repair or adjustment.
7. The use of accessory attachments not recommended by the appliance manufacturer may cause injuries.
8. Do not use outdoors.
9. Do not let cord hang over edge of table or counter, or touch hot surfaces.
10. Do not place on or near a hot gas or electric burner, or in a heated oven.
11. Extreme caution must be used when moving appliance containing hot oil or other hot liquids.
12. Always attach plug to appliance first (depending on model), then plug cord into the wall outlet. To disconnect, turn any control to "off", then remove plug from wall outlet.
13. Do not use appliance for other than intended use.

14. SAVE THESE INSTRUCTIONS FOR HOUSEHOLD USE ONLY.

15. Only connect the appliance to electrical sockets which have a minimum load of 15A. If the sockets and the plug on the appliance should prove incompatible, get a professionally qualified technician to replace the socket with a more suitable one.

POLARIZATION INSTRUCTIONS


This appliance has a polarized plug (one blade is wider than the other). To reduce the risk of electric shock this plug is intended to fit into a polarized outlet only one way. If the plug does not fit fully into the outlet, reverse the plug. If it still does not fit, contact a qualified electrician. Do not attempt to modify the plug in any way.

SHORT CORD INSTRUCTIONS

Do not use with an extension cord.

A short power-supply cord is provided to reduce the risk resulting from becoming entangled in or tripping over a longer cord.

SAFETY INSTRUCTION

- This appliance is intended to be used in household only. It is not intended to be used in the following applications, and the guarantee will not apply for:
 - staff kitchen areas in shops, offices and other working environments;
 - farm houses;
 - by clients in hotels, motels and other residential type environments;
 - bed and breakfast type environments.
- This appliance is not intended to be operated by means of an external timer or a separate remotecontrol system.
- If the power supply cord is damaged, it must be replaced by the manufacturer, its service agent or similarly qualified persons in order to avoid a hazard.
- This appliance is not intended for use by persons (including children) with reduced physical, sensory or mental capabilities, or lack of experience and knowledge, unless they have been given supervision or instruction concerning use of the appliance by a person responsible for their safety.
- Children should be supervised to ensure that they do not play with the appliance.
-  The temperature of accessible surfaces may be high when the appliance is operating. Do not touch the hot surfaces of the appliance.
- Clean removable parts with a non abrasive sponge and dishwashing liquid. Do not clean them in a dishwasher.
- Clean the inside and the outside of the appliance with a damp sponge or cloth. Please refer to the «Cleaning» section of the instructions for use.
- The appliance can be used up to an altitude of 4000 m.

Do

- Read and follow the instructions for use. Keep them safe.
- Remove all packaging materials and any promotional labels or stickers from your appliance before use. Be sure to also remove any materials from underneath the removable bowl (depending on model).
- Check that the voltage of your mains network corresponds to the voltage given on the rating plate on the appliance (alternative current).
- Given the diverse standards in effect, if the appliance is used in a country other than that in which it is purchased, have it checked by an approved Service Centre.
- Use the appliance on a flat, stable, heat-resistant work surface away from water splashes.
- Always unplug your appliance: after use, to move it, or to clean it.
- In the event of fire, unplug the appliance and smother the flames using a damp tea towel.

- To avoid damaging your appliance, please ensure that you follow recipes in the instructions and at www.tefal.com; make sure that you use the right amount of ingredients.

Do not

- Do not use the appliance if it or the power cord is damaged or if it has fallen and has visible damage or appears to be working abnormally. If this occurs, the appliance must be sent to an Approved Service Centre.
- Do not use an extension lead. If you nevertheless decide to do so, under your own responsibility, use an extension lead that is in good condition and compliant with the power of the appliance.
- Do not let the power cord dangle.
- Do not unplug the appliance by pulling on the power cord.
- Never move the appliance when it still contains hot food.
- Never operate your appliance when empty.
- Do not switch on the appliance near to flammable materials (blinds, curtains...), or close to an external heat source (gas stove, hot plate etc.).
- Do not store any inflammable products close to or underneath the furniture unit where the appliance is located.
- Never take the appliance apart yourself
- Do not immerse the product in water.
- Do not use any powerful cleaning products (notably soda based strippers), nor brillo pads, nor scourers.
- Do not store your appliance outside. Store it in a dry and well ventilated area.

Advice/information

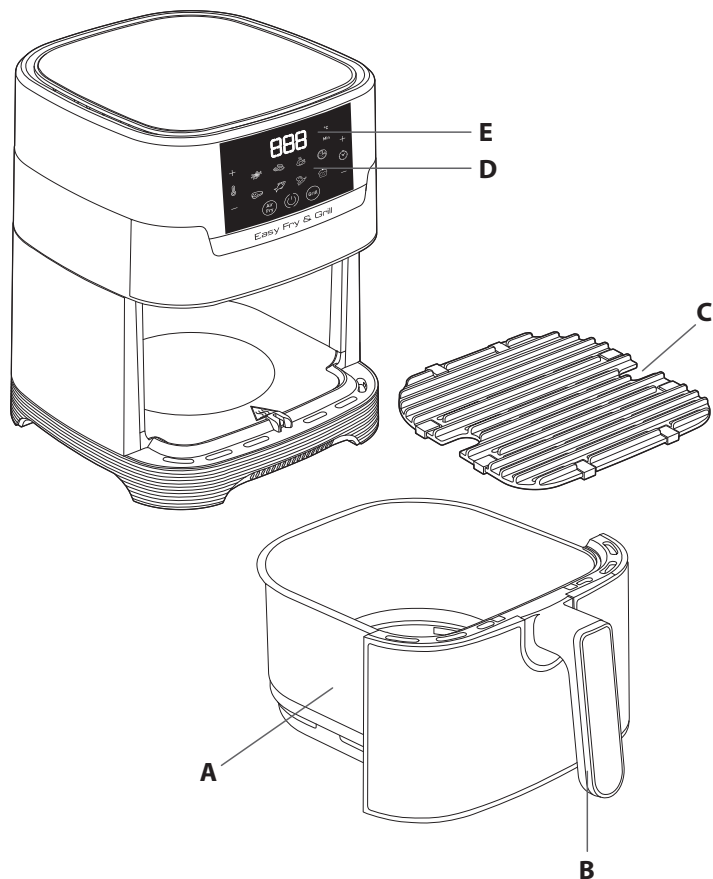
- When using the product for the first time, it may release a non-toxic odour. This will not affect use and will disappear rapidly.
- For your safety, this appliance conforms with applicable standards and regulations (Directives on Low Voltage, Electromagnetic Compatibility, Materials in contact with food, Environment, etc.).
- This appliance is designed for domestic use only and not outdoor. In case of professional use, inappropriate use or failure to comply with the instructions, the manufacturer accepts no responsibility and the guarantee does not apply.
- For your safety, only use the accessories and spare parts designed for your appliance

Environnement



Environment protection first!

- ① Your appliance contains valuable materials which can be recovered or recycled.
- ➔ Leave it at a local civic waste collection point.



DESCRIPTION

- | | |
|----------------------------------|------------------------------|
| A. Bowl | D. Digital touchscreen panel |
| B. Bowl handle | E. Time/temperature display |
| C. Removable die-cast grill grid | |

AUTOMATIC COOKING MODES

- | | |
|--------------------|---------------|
| 1. Fries | 5. Meat |
| 2. Nuggets | 6. Fish |
| 3. Roasted chicken | 7. Vegetables |
| 4. Pizza | 8. Dessert |

BEFORE FIRST USE

1. Remove all packaging material.
2. Remove any stickers or labels from the appliance.
3. Do not remove silicon pads of the grid.
4. Thoroughly clean the bowl and the removable grill grid with hot water, some washing-up liquid and a non-abrasive sponge.

The bowl and the grid are dishwasher safe.

5. Wipe the inside and outside of the appliance with a damp cloth. The appliance works by producing hot air. Do not fill the bowl (A) with oil or frying fat.

PREPARING FOR USE

1. Place the appliance on a flat, stable, heat-resistant work surface away from water splashes.
2. **Do not fill the bowl with oil or any other liquid.**
Do not put anything on top of the appliance. This disrupts the airflow and affects the hot air frying result.

USING THE APPLIANCE

Easy Fry can cook a large range of recipes. Cooking times for the main foods are given in the section 'Cooking Guide'. Online recipes at www.tefal.com help you get to know the appliance.

1. Connect the power supply cord to an electrical socket.
2. Start the preheating phase if you wish. To do this, press the Start button (⏻) that begins flashing as soon as the appliance is plugged in. The temperature displayed on the first use is 180°C.
 - Adjust to the desired temperature with the (+) and (-) buttons on the digital screen.
 - Press the Start button again to start preheating.
 - The appliance will beep when the temperature has been reached.
 - The preheating phase is now completed.
3. Place the food in the bowl.

Note: Never fill the bowl beyond the MAX level mark or exceed the maximum amount indicated in the table (see into section 'Cooking Guide'), as this could affect the quality of the end result.

- Slide the bowl back into the appliance.
Caution: Do not touch the bowl during use and for some time after use, as it gets very hot. Only hold the bowl by the handle.
- To begin cooking, you can select between the automatic cooking mode and the manual settings.

a. If choosing manual settings:

- Adjust the temperature (Ⓜ) with the (+) and (-) buttons on the digital screen. The thermostat varies from 80-200°C.
- Then set the desired cooking time by pressing the (⌚) button and adjusting the time with the (+) and (-) buttons. The timer can be set for between 0 and 60 minutes.
- Press the Start button to begin cooking with the selected temperature and time settings. Cooking starts. The selected temperature and remaining cooking time will alternate on the screen display.

b. If choosing automatic cooking mode:

- Select the desired cooking mode by pressing the icon corresponding on the touchscreen panel (these modes are described in detail in the “Cooking guide” section).
- Confirm the cooking mode by pressing the (⌚) button. This will launch the cooking process.
- Cooking starts. The selected temperature and remaining cooking time will alternate on the on-screen display.
- Excess oil from the food is collected in the bottom of the bowl.
- Some foods require shaking halfway through the cooking time (see section ‘Cooking Guide’). To shake the food, pull the bowl out of the appliance by the handle and shake it. Then slide the bowl back into the appliance and press the Start button (⌚) again to restart cooking.
- When you hear the timer sound, the cooking time set has finished. Pull the bowl out of the appliance and place it on a heat-resistant surface.
- Check if the food is ready.**
If the food is not ready yet, simply slide the bowl back into the appliance and set the timer for a few extra minutes.
- When the food is cooked, take out the bowl. To remove food, use a pair of tongs to lift the food out of the bowl.
Caution: The bowl should never be turned up side down with the grid.
After hot air frying, the bowl, the grid and the food are very hot. Depending on the type of food cooked in the appliance, be careful as steam may escape from the bowl.
- When a batch of food is ready, the appliance is instantly ready for preparing another batch of food.

USING THE GRILL PLATE

- Place the grill grid in the bowl of the appliance.
- Press (⌚), then press (Ⓜ) on the screen to select the Grill mode.
- Start the Grill mode by pressing (⌚). This will launch the preheating phase (timing :15 minutes).
- When you hear the timer sound, the preheating phase has finished.
- Take the bowl out the appliance and place it on a heat-resistant surface.
Caution : the bowl and the grill grid are very hot. Use a pair of tongs to place the food on the grill plate.
- Place the food on the grill plate and put back the bowl into the appliance.
- Select the required cooking time by pressing (+) and (-) buttons (see section ‘Cooking guide’).

- Press the Start button (⌚) to launch the cooking. The temperature and remaining cooking time will alternate on the on-screen display.
Note : the pieces of meat required to turn them at half cooking.
Excess oil from the food is collected in the bottom of the bowl.
- When you hear the timer sound, the cooking has finished. Take the bowl out the appliance and place it on a heat-resistant surface.
- Check if the food is ready. If the food is not ready yet, put it back on the appliance and set the timer for a few extra minutes.
- When the food is cooked, take out the bowl. To remove food, use a pair of tongs to lift the food out the bowl.

Caution: After hot frying, the bowl, the grid and the food are very hot.

DEHYDRATION

- Place the grid in the bowl of the appliance.
- Press (⌚), then adjust the temperature (Ⓜ) by pressing (+) and (-) button to 80°C on the digital screen.
- Then set the desired cooking time by pressing the (⌚) button and adjusting the time with (+) and (-) button. You can set the timing from 1 hour to 4 hours.
- Press the Start button (⌚) to launch the dehydration process. The selected temperature and remaining cooking time will alternate on the screen display.
- When you hear the timer sound, the cooking has finished. Take the bowl out the appliance and place it on a heat-resistant surface.
- Check if the food is ready. If the food is not ready yet, put it back on the appliance and set the timer for a few extra minutes.
- When the food is cooked, take out the bowl. To remove food, use a pair of tongs to lift the food out the bowl.

Caution : the bowl and the grid are very hot.

COOKING GUIDE

The table below helps you to select the basic settings for the food you want to prepare.

Note: The cooking times below are only a guide and may vary according to the variety and batch of potatoes used. For other foods the size, shape and brand may affect results. Therefore, you may need to adjust the cooking time slightly.

	Quantity	Approx Time (min)	Temperature (°C)	Cooking mode	Shake*	Extra information
Potatoes & fries						
Frozen chips (10 mm x 10 mm standard thickness)	300 - 800 g	15 - 25 min	200°C		Yes	
Homemade French Fries (8 x 8 mm)	300 - 800 g	22 - 32 min	200°C		Yes	Add 1 tbsp of oil
Frozen potato wedges	300 - 800 g	22 - 27 min	200°C		Yes	Add 1 tbsp of oil
Meat & Poultry						
Steak	100 - 500 g	6 - 10 min	180°C			
Chicken breast fillets (boneless)	100 - 500 g	12 - 19 min	180°C			

	Quantity	Approx Time (min)	Temperature (°C)	Cooking mode	Shake*	Extra information
Chicken (whole)	1000 g	60 min	200°C			
Fish						
Salmon fillet	350 g	15 - 17 min	140°C			
Shrimps	12 pieces	4 min	170°C			
Snacks						
Frozen chicken nuggets	100 - 600 g	7 - 15 min	200°C		Yes	
Frozen chicken wings	300 g	16 - 20 min	200°C		Yes	
Frozen cheese sticks	125 g (5 pieces)	7 - 9 min	180°C			
Frozen onion rings	200 g (10 pieces)	8 - 10 min	200°C		Yes	
Grill						
		15 min	200°C			
Meat	250 g	Preheating: 15 min Cooking: 6-8 min	200°C			You can add oil, aromatic herbs and salt for better taste. At mid-cooking, you can return the food.
Sausages	400 g	Preheating: 15 min Cooking: 10-12 min	200°C			You can add oil, aromatic herbs and salt for better taste. At mid-cooking, you can return the food.
Vegetables	300 g	Preheating: 15 min Cooking: 10 min	200°C			
Fish fillet	200 g	Preheating: 15 min Cooking: 3-5 min	200°C			
Baking						
Muffins	7 pieces	15 -18 min	180°C			Use a baking tin/oven dish**
Cake	300 g	30 min	160°C			
Dehydration						
Apple in slices	1 piece	1h	80°C			

* Shake halfway through cooking.

IMPORTANT: To avoid damaging your appliance, never exceed the maximum quantities of ingredients and liquids indicated in the instruction manual and in the recipes.

**place the cake tin/oven dish in the bowl.

When you use mixtures that rise (such as with cake, quiche or muffins) the oven dish should not be filled more than halfway.

Visit www.tefal.com for online recipes.

TIPS

- Smaller foods usually require a slightly shorter cooking time than larger size foods.
- A larger amount of food only requires a slightly longer cooking time, a smaller amount of food only requires a slightly shorter cooking time.

- Shaking smaller size foods halfway through the cooking time improves the end result and can help prevent uneven cooking.
- Add some oil to fresh potatoes for a crispy result. After adding a spoon of oil, fry the potatoes within a few minutes.
- Do not cook extremely greasy foods in the appliance.
- Snacks that can be cooked in an oven can also be cooked in the appliance.
- The optimal recommended quantity for cooking fries is 700 grams.
- Use ready made puff and shortcrust pastry to make filled snacks quickly and easily.
- Place an oven dish in the appliance's bowl if you want to bake a cake or quiche or if you want to fry fragile ingredients or filled ingredients. You can use an oven dish in silicon, stainless steel, aluminium, terracotta.
- You can also use the appliance to reheat food. To reheat food, set the temperature to 160°C for up to 10 minutes.

MAKING HOME-MADE CHIPS

For the best results, we advise to use frozen chips. If you want to make home-made chips, follow the steps below.

1. Choose a variety of potato recommended for making chips. Peel the potatoes and cut them into equal thickness chips.
2. Soak the potato chips in a bowl of cold water for at least 30 minutes, drain them and dry them with a clean, highly absorbent tea towel. Then pat with paper kitchen towel. The chips must be thoroughly dry before cooking.
3. Pour 1 tablespoon of oil (vegetable, sunflower or olive) in a dry bowl, put the chips on top and mix until they are coated with oil.
4. Remove the chips from the bowl with your fingers or a kitchen utensil so that any excess oil stays behind in the bowl. Place the chips in the bowl.

Note: Do not tip the container of oil coated chips directly into the bowl in one go, otherwise excess oil will end up at the bottom of the bowl.

5. Fry the chips according to the instructions in the section Cooking guide.

CLEANING

Clean the appliance after every use.

The bowl and the grid have a non-stick coating. Do not use metal kitchen utensils or abrasive cleaning materials to clean them, as this may damage the nonstick coating.

1. Remove the mains plug from the wall socket and let the appliance cool down. Note: Remove the bowl to let the appliance cool down more quickly.
2. Wipe the outside of the appliance with a damp cloth.
3. Clean the bowl and grid with hot water, some washing-up liquid and a non-abrasive sponge. You can use a degreasing liquid to remove any remaining dirt.

The bowl and the grid are dishwasher safe.

Tip: If dirt is stuck at the bottom of the bowl and the grid, fill them with hot water and some washing-up liquid. Let the bowl and the grid soak for approximately 10 minutes. Then rinse clean and dry.

4. Wipe inside of the appliance with hot water and a damp cloth.
5. Clean the heating element with a dry, cleaning brush to remove any food residues.

6. Do not immerse the appliance in water or any other liquid.

STORAGE

1. Unplug the appliance and let it cool down.
2. Make sure all parts are clean and dry.

GUARANTEE AND SERVICE

If you need service or information or if you have a problem, please visit the Tefal website at www.tefal.com or contact the Tefal Consumer Care Centre in your country. You can find the phone number in the worldwide guarantee leaflet. If there is no Consumer Care Centre in your country, go to your local Tefal dealer.

TROUBLESHOOTING

If you encounter problems with the appliance, visit www.tefal.com for a list of frequently asked questions or contact the Consumer Care Centre in your country.

TEFAL/T-FAL* INTERNATIONAL LIMITED GUARANTEE

 : www.tefal.com

*This product is **repairable** by TEFAL/T-FAL*, during and after the guarantee period.*

Accessories, consumables and end-user replaceable parts can be purchased, if locally available, as described on the TEFAL/T-FAL internet site www.tefal.com

The Guarantee** : TEFAL/T-FAL guarantees this product against any manufacturing defect in materials or workmanship during the guarantee period within those countries*** as stated in the attached country list, starting from the initial date of purchase or delivery date. The international manufacturer's guarantee covers all costs related to restoring the proven defective product so that it conforms to its original specifications, through the repair or replacement of any defective part and the necessary labour. At TEFAL/T-FAL's choice, a replacement product may be provided instead of repairing a defective product. TEFAL/T-FAL's sole obligation and your exclusive resolution under this guarantee are limited to such repair or replacement.

Conditions & Exclusions : TEFAL/T-FAL shall not be obliged to repair or replace any product which is not accompanied by a valid proof of purchase. The product can be taken directly in person or must be adequately packaged and returned, by recorded delivery (or equivalent method of postage), to a TEFAL/T-FAL authorised service centre. Full address details for each country's authorised service centres are listed on TEFAL/T-FAL website (www.tefal.com) or by calling the appropriate consumer Service centre set out in the attached country list. In order to offer the best possible after-sales service and constantly improve customer satisfaction, TEFAL/T-FAL may send a satisfaction survey to all customers who have had their product repaired or exchanged in a TEFAL/T-FAL authorised service centre.

This guarantee applies only for products purchased **and** used for domestic purposes and will not cover any damage which occurs as a result of misuse, negligence, failure to follow TEFAL/T-FAL instructions, or a modification or unauthorised repair of the product, faulty packaging by the owner or mishandling by any carrier. It also does not cover normal wear and tear, maintenance or replacement of consumable parts, or the following:

- using the wrong type of water or consumable
- mechanical damages, overloading
- damage as a result of lightning or power surges
- ingress of water, dust or insects into the product (excluding appliances with features specifically designed for insects)
- accidents including fire, flood, etc
- scaling (any de-scaling must be carried out according to the instructions for use)
- damage to any glass or porcelain ware in the product
- professional or commercial use
- or poor results specifically due to wrong voltage or frequency as stamped on the product ID or specification

Consumer Statutory Rights : This international TEFAL/T-FAL guarantee does not affect the Statutory Rights a consumer may have or those **rights that cannot** be excluded or limited, nor rights against the retailer from which the consumer purchased the product. This guarantee gives a consumer specific legal rights, and the consumer may also have other legal rights which vary from State to State or Country to Country. The consumer may assert any such rights at his sole discretion.

en

***Where a product purchased in a listed country and then used in another listed country, the international TEFAL/T-FAL guarantee duration is the one in the country of usage, even if the product was purchased in a listed country with different guarantee duration. The repair process may require a longer time if the product is not locally sold by TEFAL/T-FAL. If the product is not repairable in the new country, the international TEFAL/T-FAL guarantee is limited to a replacement by a similar or alternative product at similar cost, **where possible**.

*TEFAL household appliances appear under the Tefal brand in some territories like America and Japan. TEFAL/T-FAL are registered trademarks of Groupe SEB.

Please keep this document for your reference should you wish to make a claim under the guarantee.

****For Australia only:**

Our goods come with guarantees that cannot be excluded under the Australian Consumer Law. You are entitled to a replacement or refund **for a major failure and compensation for** any other reasonably foreseeable loss or damage. You are also entitled to have the goods repaired or replaced if the goods fail to be of acceptable quality and the failure does not amount to a major failure.

****For India only:** The guarantee length depends on the product and the State in India. Full guarantee terms must be checked at the point of sale. Products purchased outside and used in India benefit from a 2 year guarantee.

The guarantee covers exclusively the repair of a defective product, but at TEFAL's choice, a replacement product may be provided instead of repairing a defective product. It is **mandatory** that the consumer, to have his product repaired, has to log a service request on the dedicated Smartphone application TEFAL SERVICE APP or by calling TEFAL Consumer Care Center at **1860-200-1232, Opening hours Mon-Sat 09 AM to 06 PM**. Products returned by Post will not be covered by the guarantee. As a proof of purchase consumer needs to provide both this stamped guarantee card and cash memo.

安全指引

重要安全事項：

- 本產品只適用於家居環境。本裝置不適宜作以下用途，且以下用途將不在保用範圍之內：
 - 店舖、辦公室及其他工作環境的員工廚房區域；
 - 農舍；
 - 供酒店、汽車旅館及其他住宿環境的客人使用；
 - 民宿（住宿加早餐）類型環境。
- 肢體、感官或心智能力較弱，或者經驗或知識不足的人士（包括兒童），除非有負責其安全的人士從旁監督，或已事先向其提供本裝置的使用指示，否則均不適宜使用本裝置。
- 兒童應有人從旁監督，以確保他們不會將本裝置當作玩具。
- 本裝置可供8歲及以上兒童、身體官能或心智能力退化人士，或缺乏經驗與知識之人士使用，唯須接受從旁監督或獲悉本裝置的安全操作指示，且已瞭解其潛在危險。兒童不可把玩本裝置。兒童年滿8歲方可在監督下清潔及維護本裝置。本裝置及電線應遠離8歲以下兒童。
- 本裝置不適宜配合外置的計時開關（即外置計時器或獨立的遙控系統）使用。
- 為免發生危險，如電源線受損，必須交由生產商、認可服務中心，或具有相同資格的人士更換。
- **▲**裝置運作時，可接觸的表面或呈高溫。請勿接觸發熱表面（視乎型號）。
- 清潔可拆出零件時，請使用非磨蝕性的海綿配洗潔精，或放入洗碗機清洗（視乎型號）。
- 請用濕海綿或布清潔裝置的內外。請參考使用說明內「清潔」一節。
- 本裝置最高可在海拔4000米使用。

請：

- 請閱讀並遵循本使用說明書，並妥善保存。
- 使用前，請移除裝置上所有包裝物料及宣傳標籤或貼紙，並請記得移除可拆內膽底下的全部物料（視乎型號）。
- 請檢查正在使用的電源電壓是否與裝置所標示的電源電壓相符（本裝置使用交流電）。
- 由於全球有多種不同制式，如要在購入地點以外國家使用本裝置，請先交由認可服務中心檢查。
- 如裝置的型號配搭可拆式電源線，請僅使用原裝電源線。
- 請務必將本裝置插入接地插座。
- 將裝置放在平坦、穩固、耐熱的表面，並避開水濺。
- 裝置使用後、或移動或清潔裝置時，務必要拔除電源。
- 如發生火警，應拔除裝置的電源，並用濕布滅火。
- 為免損壞裝置，請緊記遵循說明及食譜的指引；確保食材分量適當。

請勿：

- 如電源線受損，或曾經掉落並有明顯損壞，或有運作異常跡象，請勿使用裝置。如發生上述情況，請務必將裝置送交認可服務中心。
- 切勿使用延長電線。如務必要使用延長電線，須自行負責，請使用狀況良好並兼容本裝置電源制式的延長電線。
- 請勿讓電源線在半空晃蕩。
- 請勿用拉扯電線線的方式拔除裝置的插頭。
- 裝置內有熱食時，切勿搬動。
- 裝置內空時，切勿操作。
- 請勿在易燃物料（百葉簾、窗簾.....）附近打開裝置電源，或將裝置放近外部熱源（燃氣煮食爐、鐵板等）。
- 請勿將任何易燃產品存放在裝置所在的家具附近或之下。
- 切勿自行拆開本裝置。
- 切勿將裝置浸水。
- 請勿使用任何強力清潔產品（特別是梳打性質的除染劑），並勿使用鋼絲刷或百潔布。
- 請勿將裝置存放室外。應儲存於乾燥及通風的位置。

建議及資訊

- 本產品初次運作時，可能會釋出無毒氣味。然而不會影響運作，且會快速消失。
- 為保閣下安全，本裝置符合相關標準及規定(低電壓指令、電磁兼容性、與食品接觸之物料、環境等等)
- 本裝置僅適合家居使用，不宜用於室外。如將本裝置用於專業或不當用途，或不依照本說明使用，製造商將不負責，而產品保用亦會無效。
- 為閣下安全起見，請僅使用為本裝置而設的配件及零件。

環保

- 丟棄本裝置前，請將計時器內的電池拆出並丟棄至當地的都市垃圾收集中心（視乎型號）。



環境保護最為優先！

- ① 本裝置包含可回收或循環再用的有價值物料。
- ➡ 請將本裝置棄置在所屬地區的家居垃圾收集站。

說明

- | | |
|------------|-------------|
| A. 內鍋 | D. 數位觸控螢幕面板 |
| B. 內鍋把手 | E. 時間/溫度顯示 |
| C. 可拆式壓鑄烤網 | |

自動烹調模式

- | | |
|-------|-------|
| 1. 薯條 | 5. 肉類 |
| 2. 雞塊 | 6. 魚 |
| 3. 烤雞 | 7. 蔬菜 |
| 4. 披薩 | 8. 甜點 |

初次使用之前

1. 拆除所有包材。
2. 撕除任何裝置上的貼紙或標籤。
3. 請勿移除烤網的矽膠墊。
4. 使用熱水、少許洗碗精和不具磨蝕性的海綿徹底清潔內鍋和可拆式烤網。
注意：您可以使用洗碗機清潔這些配件。
5. 用濕布擦拭裝置內外。裝置透過產生熱風來運作。請勿在內鍋 (A) 中倒入大量的油或放入油炸用油脂 (如整塊豬油)。

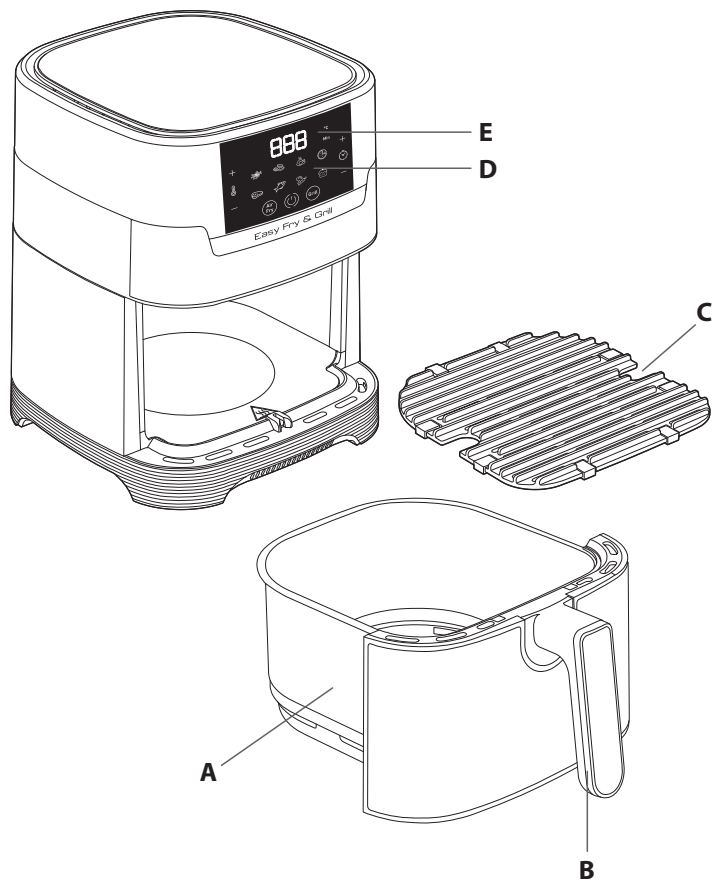
準備使用

1. 將裝置放於平坦穩定的耐熱工作表面，避開水潑濺的位置。
2. 請勿在內鍋中倒入大量的油或過量液體。
請勿將任何東西放在裝置上方。這樣會阻礙氣流並影響熱風氣炸的效果。

使用裝置

Easy Fry 可烹調多樣料理。主要料理的烹調時間列於「烹調指南」一節。

1. 將電源線插上插座。
2. 若您希望的話，可先開始預熱階段。若要預熱，請按下「開始」按鈕 (⏻)，該按鈕在裝置插電之後就會開始閃爍。初次使用時溫度會顯示為 180°C。
 - 使用數位螢幕上的 (+) 和 (-) 按鈕來調整至您想要的溫度。
 - 再次按下「開始」按鈕開始預熱。
 - 到達溫度時裝置會發出嗶聲。
 - 預熱階段已完成。
3. 將食物放入內鍋。
注意：食物請勿超過內鍋最高位線標示，也勿低於表中所述的最少食物份量 (請參閱「烹調指南」一節)，因為這樣可能會影響烹調料理效果。
4. 將內鍋推回氣炸鍋中。
注意：使用過程中及使用後一段時間內請勿碰觸內鍋，因為內鍋溫度會非常高。請僅握住內鍋的把手。
5. 若要開始烹調，您可以選擇自動烹調模式或手動設定。



a. 若選擇手動設定：

- 請使用數位螢幕上的 和 按鈕來調整溫度 。溫度調節器可在 80-200°C 間變動。
- 接著按下 按鈕設定您想要的烹調時間，並用 和 按鈕來調整時間。計時器可設在 0 至 60 分鐘之間。
- 按下「開始」按鈕開始以所選的溫度和時間設定烹調。開始烹調。螢幕會交替顯示所選的溫度和剩餘烹調時間。

b. 若選擇自動烹調模式：

- 按下觸控螢幕面板上對應的圖示，選擇您想要的烹調模式（「烹調指南」一節中有這些模式的詳細說明）。
- 按下 按鈕確認烹飪模式。烹調程序即會開始。
- 開始烹調。螢幕會交替顯示所選的溫度和剩餘烹調時間。
- 6. 食材中多餘的油脂會累積在內鍋底部。
- 7. 部分食物會需要在烹調時間的中途搖晃（請參閱「烹調指南」一節）。若想要手動改變食材位置，請握住內鍋把手將內鍋從氣炸鍋取出，然後用動內鍋。接著將調理鍋推回裝置中並再次按下開始按鈕 ，以重新開始烹調。
- 8. 聽到計時器鈴響時，表示設定的烹調時間已結束。從氣炸鍋中取出內鍋，將內鍋放置在耐熱表面上。
- 9. 檢查食物是否烹調完成。若食物尚未烹調完成，只要將調理鍋推回裝置中，再將計時器多設定幾分鐘即可。若食物烹調完成，請取出內鍋。取出食物時，請用夾子將食物夾出內鍋。
- 注意：翻轉內鍋時，請小心積在內鍋底部的多餘油脂，可能流至食物表面或從烤網滴落。熱風氣炸後，內鍋、烤網和食物會變得非常燙。視裝置中烹調的食物種類而定，請小心內鍋中可能會冒出高溫蒸汽。**
- 11. 一批食物烹調完成後，氣炸鍋即可立即處理下一批食物。

使用燒烤模式

- 1. 將烤網放入裝置內鍋中。
- 2. 按下 ，接著按下螢幕上的 以選擇燒烤模式。
- 3. 按下 按鈕開始燒烤模式。預熱階段即會開始（計時：15 分鐘）。
- 4. 聽到計時器鈴響時，表示預熱階段已完成。
- 5. 從氣炸鍋中取出調理鍋，將內鍋放置在耐熱表面上。
注意：內鍋和烤網非常燙。請用夾子將食物放入烤盤上。
- 6. 將食物放在烤盤上，並將內鍋放回氣炸鍋中。
- 7. 按下 和 按鈕，選擇所需的烹調時間（請參閱「烹調指南」一節）。
- 8. 按下開始按鈕 開始烹調。螢幕會交替顯示溫度和剩餘烹調時間。
注意：肉塊需要在烹調中途翻面。
食物中多餘的油脂會積在內鍋底部。
- 9. 聽到計時器鈴響時，表示烹調已完成。從氣炸鍋中取出調理鍋，將內鍋放置在耐熱表面上。
- 10. 檢查食物是否烹調完成。若食物尚未烹調完成，請將內鍋放回裝置中，再將計時器多設定幾分鐘即可。
- 11. 若食物烹調完成，請取出內鍋。取出食物時，請用夾子將食物夾出內鍋。
注意：內鍋和烤網非常燙。

脫水

1. 將烤盤放入裝置的內鍋中。
2. 按下 ，接著在數位螢幕上按下 和 按鈕，調整溫度 至 80°C。
3. 接著按下 按鈕設定您想要的烹調時間，並用 和 按鈕來調整時間。您可以將時間設定為 1 小時至 4 小時。
4. 按下「開始」按鈕 開始脫水程序。螢幕會交替顯示所選的溫度和剩餘烹調時間。
5. 聽到計時器鈴響時，表示烹調已完成。從氣炸鍋中取出調理鍋，將內鍋放置在耐熱表面上。
6. 檢查食物是否烹調完成。若食物尚未烹調完成，請將內鍋放回裝置中，再將計時器多設定幾分鐘即可。
7. 若食物烹調完成，請取出內鍋。取出食物時，請用夾子將食物夾出內鍋。
注意：內鍋和烤盤非常燙。

烹調指南

針對您想烹調的食物，下方的表格能協助您選擇基本設定。

注意：下方的烹調時間僅為參考指南，時間根據不同馬鈴薯種類和份量可能有所不同。其他食物的大小、形狀和品牌可能會影響成果。因此，您可能需要微調烹調時間。

	最少-最多 份量 (公克)	大約 時間 (分鐘)	溫度 (°C)	烹調模 式	搖晃*	其他 資訊
薯仔及薯條						
冷凍薯條 (10 公 釐 x 10 公釐標準厚度)	300 - 800 公克	15 - 25 分鐘	200°C		是	
自製薯條 (8 x 8 公釐)	300 - 800 公克**	22 - 32 分鐘	200°C		是	加入 1 大匙油
冷凍厚切 馬鈴薯條	300 - 800 公克	22 - 27 分鐘	200°C		是	加入 1 大匙油
肉類及家禽						
冷凍牛排	100 - 500 公克	6 - 10 分鐘	180°C			
雞胸排 (去骨)	100 - 500 公克	12 - 19 分鐘	180°C			
雞 (全雞)	1000 公克	60 分鐘	200°C			
魚						
鮮魚、鮭魚 排	350 公克	15 - 17 分鐘	140°C			
蝦	12 隻	4 分鐘	170°C			

最少-最多 份量 (公克)		大約 時間 (分鐘)	溫度 (°C)	烹調模 式	搖晃*	其他 資訊
小食						
冷凍雞塊	100 - 600 公克	7 - 15 分鐘	200°C		是	
冷凍雞翅	300 公克	16 - 20 分鐘	200°C		是	
冷凍起司條	125 公克 (5 塊)	7 - 9 分鐘	180°C			
冷凍洋蔥圈	200 公克 (10 塊)	8 - 10 分鐘	200°C		是	
燒烤						
		15 分鐘	200°C			
肉類	250 公克	預熱：15 分鐘 烹調：4-6 分鐘	200°C			您可以加入油、香 草和鹽 來增添風味。 烹調中途您可以將食 物翻面。
香腸	400 公克	預熱：15 分鐘 烹調：10- 12 分鐘	200°C			您可以加入油、香 草和鹽 來增添風味。 烹調中途您可以將食 物翻面。
蔬菜	300 公克	預熱：15 分鐘 烹調：10 分鐘	200°C			
魚排	200 公克	預熱：15 分鐘 烹調：3-5 分鐘	200°C			
烘烤						
瑪芬	7 隻	15 - 18 分鐘	180°C			請使用烘焙模具/ 烤盤***
蛋糕	300 公克	30 分鐘	160°C			
脫水						
蘋果切片	1 隻	1h	80°C			

* 烹調過程中搖晃。

** 未削皮的馬鈴薯重量

重要事項：為避免損毀裝置，請勿烹調超過使用說明手冊以及食譜所指示的食材及液體份量。

***請將蛋糕模具/烤盤放入調理鍋。

若您使用的混和食材會膨脹(例如蛋糕、鹹派或瑪芬)，烤盤請勿裝超過一半。

如需線上食譜，請前往 www.tefal.com。

秘訣

- 體積較小的食物通常所需料理時間會短於體積較大的食物。
- 量較多的食物所需烹調時間僅略長，量較少的食物所需烹調時間僅略短。
- 在烹調中途搖晃體積較小的食物，可以讓烹調成果更好，並防止食物受熱不均。
- 新鮮的馬鈴薯添加一點油可達到更酥脆的效果。加入一匙油後，氣炸馬鈴薯幾分鐘即可。
- 建議在裝置中不要烹調過度油膩的食物。
- 可用烤箱烹調的點心也可用此裝置烹調。
- 烹調薯條最佳的建議份量為 700 公克。
- 使用市售千層酥皮和塔皮可快速輕鬆製作出包餡的點心。
- 若您想炸蛋糕或鹹派，或是想炸易碎或包餡的食材，請將烤盤放入裝置的內鍋中。您可以使用矽膠、不鏽鋼、鋁製、赤陶烤盤。
- 您也可以使用此裝置重新加熱食物。若要加熱食物，請將溫度設為 160°C / 320°F，時間建議最多為 10 分鐘。

自製薯條

我們建議使用冷凍薯條，以達到最佳成果。若您想製作自製薯條，請按照下列步驟。

1. 選擇建議用於製作薯條的馬鈴薯品種。馬鈴薯削皮後，切成厚度相同的條狀。
2. 將薯條浸泡在冷水中至少 30 分鐘，瀝乾後以乾淨的高吸水性毛巾吸乾水份。再以廚房紙巾輕輕壓乾。烹調前薯條需為全乾狀態。
3. 在乾燥的碗中倒入 1 大匙油 (植物油、葵花油或橄欖油)，放入薯條混和直到薯條表面沾滿油。
4. 用手指或廚房用具從碗中取出薯條，讓多餘的油留在碗中。將薯條放入調理鍋。
注意：請勿將裝有沾油薯條的容器一次直接倒入內鍋中，否則多餘的油最終會留在內鍋底部。
5. 根據「烹調指南」一節中的說明炸薯條。

清潔

每次使用後，請清潔裝置。

內鍋和烤網皆有不上塗層。請避免使用金屬廚房用具或具磨蝕性的清潔工具清理，因為可能會破壞不上塗層。

1. 從牆上插座拔除插頭，讓裝置冷卻。注意：移除內鍋，讓裝置能更快速冷卻。
2. 用濕布擦拭裝置外側。
3. 使用熱水、少許洗碗精和不具磨蝕性的海綿清潔內鍋和烤網。您可以使用去油清潔劑去除任何殘留污垢。

注意：內鍋和烤網不適用洗碗機。

秘訣：若污垢黏在內鍋底部或烤網上，請裝入熱水和少許洗碗精。浸泡內鍋和烤網約 10 分鐘。

接著沖洗乾淨並晾乾。

4. 用濕布和熱水擦拭裝置內部。
5. 用乾燥的清潔刷清潔加熱元件，移除任何食物殘渣。
6. 請勿將裝置浸在水中或任何液體中。

存放

1. 拔除裝置電源，讓裝置冷卻。
2. 確認所有部分均乾淨且乾燥。

保固和服務

若您需要服務或資訊，或您有疑問，請至 www.tefal-home.com.tw 造訪 Tefal 網站，或是聯繫您所在國家的 Tefal 客戶服務中心。您可以在全球保固說明書中找到電話號碼。若您的國家沒有客戶服務中心，請洽詢您當地的 Tefal 經銷商。

疑難排解

若您使用裝置遭遇任何問題，請至 www.tefal-home.com.tw 參閱常見問題列表，或是聯繫您所在國家的客戶服務中心。

TEFAL/T-FAL* 國際有限保用證 中文繁體

: www.tefal.com

在保用期內及後，TEFAL/T-FAL* 會為您提供產品的維修服務

附件、耗材及用戶可更換的零件，可於當地購買（如有售），詳細請瀏覽 TEFAL/T-FAL internet 網站 www.tefal.com

保用證

TEFAL/T-FAL 根據所附國家列表中所載之國家***及保用期，在保用期內（自產品購買日或購買交易日後之產品交付日起計）提供產品因任何材料或工藝缺陷的保用。此生產商國際保用證涵蓋已被證實為缺陷產品相關的修復費用，包括通過維修或更換任何缺陷零件以及必要的人力，以使產品符合原本的規格。TEFAL/T-FAL 有權選擇更換同等或更高級的產品而不維修缺陷的產品。本保用證下 TEFAL/T-FAL 的唯一責任及您專享的解決方法只限於維修或更換產品。

條款及免責

TEFAL/T-FAL 不會維修或更換未能出示有效購買證明的產品。客戶可親自將產品直接送交 TEFAL/T-FAL 授權的售後服務中心，或必須妥善包裝並以掛號形式（或其他同等郵遞方式）送交至 TEFAL/T-FAL 授權的售後服務中心。各國獲授權的售後服務中心之詳細地址請見 TEFAL/T-FAL 網址，或可致電國家列表中合適的客戶服務中心查詢。為提供最好的售後服務並繼續增進客戶的滿意，TEFAL/T-FAL 可能向曾經由 TEFAL/T-FAL 授權服務中心維修或更換其產品的客戶發出滿意程度的調查。

本保用證只適用於已被購買的產品並以家用為目的，本保用證亦不包括任何因錯誤使用、疏忽、未有遵從 TEFAL/T-FAL 使用說明，或更改或未經授權而維修產品所產生的損壞，或產品持有人的包裝不當或運送途中的處理不當所引起的損壞。保用證亦不包括正常的磨損及耗損、耗材的維護或更換。

及以下情況：

- 使用不適當的水或耗材
- 機件故障，負荷過重
- 未遵從產品規格或產品上的指示，使用錯誤電壓或頻率而引起的損壞或不良結果
- 產品內入水、灰塵或昆蟲（不包括專用於捕捉或驅趕昆蟲的電器）
- 生鏽（如需去鏽，必須根據使用說明進行）
- 產品上任何玻璃或瓷器的損壞
- 火災、水災等意外
- 專業或商業用途
- 閃電、功率驟變造成的損壞

消費者法定權利

TEFAL/T-FAL 國際保用證並不影響消費者法定權利，這些權利不被排除或局限，亦不影響消費者對購自該產品的零售商的消費者權利。本保用證給予消費者特定合法權益，而消費者在不同州份或國家，或可享有其他合法權利。消費者可根據個人判斷維護任何有關權利。

* TEFAL 家電在一些地區如美洲及日本以 Tefal 品牌出現，TEFAL/T-FAL 為 SEB 集團的註冊商標。

***倘產品購自國家列表內其中一個列舉的國家，而在另一個列舉的國家使用，TEFAL/T-FAL 國際保用證保用期按照使用產品時所在的國家，即使有別於購買該產品時所在列舉國家的保用期。倘產品不是購自當地的 TEFAL/T-FAL，可能需要較長的維修時間。倘在使用產品的國家中不能修復該產品，TEFAL/T-FAL 國際保用證只限於更換同類產品或相近價錢的其他產品（如適用）。請保留此文件，供閣下提出保用要求時參考。

คำแนะนำด้านความปลอดภัย

- เครื่องใช้นี้มีไว้สำหรับใช้ในครัวเรือนเท่านั้น ไม่ได้มีไว้เพื่อการใช้งานดังต่อไปนี้ ซึ่งอยู่นอกขอบเขตของการรับประกัน
 - พื้นที่ครัวส่วนพนักงานในร้านค้า สำนักงาน และสภาพแวดล้อมในการทำงานแบบอื่น
 - โรงงาน
 - ผู้เข้าพักในโรงแรม ที่พักข้างทาง และสภาพแวดล้อมการพักอาศัยอื่น ๆ
 - สภาพแวดล้อมแบบห้องพักรวมอาหารเข้า
- อุปกรณ์นี้ไม่ได้มีวัตถุประสงค์ในการใช้งานโดยบุคคล (รวมถึงเด็ก) ผู้มีความบกพร่องทางร่างกาย ประสาทสัมผัสหรือทางจิต หรือขาดประสบการณ์และความรู้ เว้นแต่จะได้รับการควบคุมดูแลหรือได้รับคำแนะนำเกี่ยวกับการใช้งานอุปกรณ์จากบุคคลผู้ทำหน้าที่ดูแลความปลอดภัยของบุคคลดังกล่าว
- ควรควบคุมดูแลไม่ให้เด็กนำเครื่องใช้ไปเล่น
- อุปกรณ์นี้สามารถใช้งานโดยเด็กที่มีอายุตั้งแต่ 8 ปีขึ้นไป และบุคคลที่มีความบกพร่องทางร่างกาย ทางประสาทสัมผัส หรือทางจิตใจ หรือขาดประสบการณ์และความรู้ หากอยู่ในการควบคุมหรือการให้คำแนะนำเกี่ยวกับการใช้อุปกรณ์ด้วยวิธีที่ปลอดภัย และเข้าใจในอันตรายที่เกี่ยวข้อง ไม่ควรปล่อยให้เด็กนำเครื่องใช้ไปเล่น การทำความสะอาดและการบำรุงรักษาอุปกรณ์ต้องไม่ดำเนินการโดยเด็กเล็ก เว้นแต่เด็กนั้นจะมีอายุมากกว่า 8 ปี และอยู่ภายใต้การควบคุมดูแล เก็บอุปกรณ์และสายไฟให้ห่างจากเด็กอายุต่ำกว่า 8 ปี
- เครื่องใช้ไม่ได้มีวัตถุประสงค์ในการใช้งานร่วมกับตัวจับเวลาภายนอก หรือระบบควบคุมระยะไกลแบบแยกต่างหาก
- หากสายไฟชำรุดเสียหาย ต้องดำเนินการเปลี่ยนโดยผู้ผลิต ศูนย์บริการหลังการขาย หรือบุคคลที่มีคุณสมบัติคล้ายกัน เพื่อหลีกเลี่ยงอันตราย
- ⚠️ อุดนมุกุมิของพื้นผิวที่สัมผัสจับต้องได้อาจอยู่ในระดับสูง เมื่อมีการใช้งาน อุปกรณ์ ห้ามสัมผัสพื้นผิวร้อนของอุปกรณ์ (ขึ้นอยู่กับรุ่น)
- ทำความสะอาดชิ้นส่วนที่ถอดได้ด้วยฟองน้ำที่ไม่เปียกซัดล้าง และน้ำยาล้างจาน

หรือในเครื่องล้างจาน (ขึ้นอยู่กับรุ่น)

- ใช้ฟองน้ำหรือผ้าชุบน้ำหมาด ๆ ทำความสะอาดด้านในและด้านนอกเครื่อง กรุณาทำความสะอาดเครื่อง
- เครื่องใช้นี้ได้ที่ระดับความสูงไม่เกิน 4,000 ม.

ข้อควรปฏิบัติ

- อ่านและปฏิบัติตามคำแนะนำในการใช้งาน กรุณาเก็บไว้ในที่ปลอดภัย
- นำวัสดุบรรจุภัณฑ์ทั้งหมด และฉลากส่งเสริมการขาย หรือสติ๊กเกอร์ก่อนการใช้งานเครื่องใช้ ควรถอดวัสดุจากข้างใต้หม้อถอดได้เช่นกัน (ขึ้นอยู่กับรุ่น)
- ตรวจสอบว่าแรงดันไฟฟ้าที่ใส่สอดคล้องกับแรงดันไฟฟ้าที่ระบุบนป้ายแสดงของเครื่องใช้ (กระแสหลัก)
- เนื่องจากมีมาตรฐานต่าง ๆ ที่กำหนดไว้ หากนำเครื่องใช้ไปใช้งานภายนอกประเทศที่ซื้อมา กรุณานำเครื่องใช้ไปตรวจสอบที่ศูนย์บริการที่ได้รับอนุญาต
- ใช้สายไฟที่เป็นของแท้เท่านั้น
- เสียบปลั๊กเครื่องในตำแหน่งที่ต่อสายดินทุกครั้ง
- ใช้น้ำมันที่เรียบ นิ่มนวล และทนความร้อน โดยให้ห่างจากน้ำกระเด็น
- ถอดปลั๊กเครื่องใช้ทุกครั้ง หลังการใช้งาน เพื่อเคลื่อนย้าย หรือทำความสะอาด
- ในกรณีที่เกิดไฟไหม้ ถอดปลั๊กอุปกรณ์ แล้วคลุมเปลวไฟด้วยผ้าเปียก
- เพื่อป้องกันไม่ให้อายุการใช้งานเครื่องใช้เสียหาย กรุณาตรวจสอบให้แน่ใจว่าคุณปฏิบัติตามสูตรในคำแนะนำและสมุดสูตรอาหาร ตรวจสอบให้แน่ใจว่าคุณใช้ส่วนผสมในปริมาณที่ถูกต้อง

ข้อห้ามปฏิบัติ

- ห้ามให้หากเครื่องใช้หรือสายไฟได้รับความเสียหาย หรือหากตกลง และร่องรอยความเสียหายที่เห็นได้ชัด หรือปรากฏว่าการทำงานผิดปกติ หากไม่เหตุการณ์เกิดขึ้น กรุณาส่งเครื่องไปยังศูนย์บริการที่ได้รับอนุญาต
- ห้ามใช้ปลั๊กพ่วง หากคุณตัดสินใจที่จะทำเช่นนั้น แต่ด้วยความรับผิดชอบของคุณเอง ใช้ปลั๊กพ่วงที่มีสภาพดี และเป็นไปตามมาตรฐานของเครื่องใช้
- ห้ามปล่อยให้สายไฟหย่อน
- ห้ามถอดปลั๊กเครื่องโดยดึงที่สายไฟ
- ห้ามเคลื่อนเครื่องใช้เมื่อประกอบด้วยอาหารร้อน
- ห้ามเปิดใช้งานเครื่องใช้เมื่อว่างเปล่า
- ห้ามเปิดเครื่องใช้ใกล้กับวัตถุติดไฟง่าย (ผ้าม่าน ผ้าผืน...) หรืออยู่ใกล้กับแหล่งความร้อนด้านนอก (เตาแก๊ส แผ่นความร้อน ฯลฯ)
- ห้ามเก็บผลิตภัณฑ์ไวไวไว้ใกล้กับ หรืออยู่ใต้ชุดเฟอร์นิเจอร์ที่อยู่ในตำแหน่งเครื่องใช้
- ห้ามถอดชิ้นส่วนของเครื่องด้วยตัวเอง
- ห้ามแช่ตัวเครื่องในน้ำ
- ห้ามใช้ผลิตภัณฑ์ทำความสะอาดที่มีฤทธิ์สูง (โดยเฉพาะน้ำยาผสมโซดาไฟ) หรือแอมโมเนีย หรือแอมโมเนียม
- อยากรักษาเครื่องใช้ให้คงทน ให้จัดเก็บในพื้นที่แห้ง และอากาศถ่ายเทได้สะดวก

คำแนะนำ/ข้อมูล

- เมื่อใช้ผลิตภัณฑ์เป็นครั้งแรก ผลิตภัณฑ์อาจปล่อยอนุภาคที่ไม่มีพิษออกมา ซึ่งไม่ส่งผลกระทบต่อการใช้งาน และจะหายไปโดยเร็ว
- เพื่อความปลอดภัยของคุณ อุปกรณ์นี้ต้องตามมาตรฐานและข้อบังคับที่กำหนด (คำสั่งในเรื่องแรงดันไฟฟ้าต่ำ การเข้ากันได้ของแม่เหล็กไฟฟ้า วัสดุที่สัมผัสกับอาหาร สภาพแวดล้อม ฯลฯ)
- เครื่องใช้ได้รับการออกแบบให้ใช้งานภายในบ้านเท่านั้น ไม่ใช้กลางแจ้ง ในกรณีที่ใช้ในการประกอบอาชีพ ใช้งานอาจไม่เหมาะสม

- สม หรือไม่ปฏิบัติตามคำแนะนำ ผู้ผลิตจะไม่รับผิดชอบและอยู่นอกขอบเขตของการรับประกัน
- เพื่อความปลอดภัย โปรดใช้อุปกรณ์เสริมและชิ้นส่วนจากผู้ผลิตที่ได้รับการออกแบบมาสำหรับอุปกรณ์โดยเฉพาะ

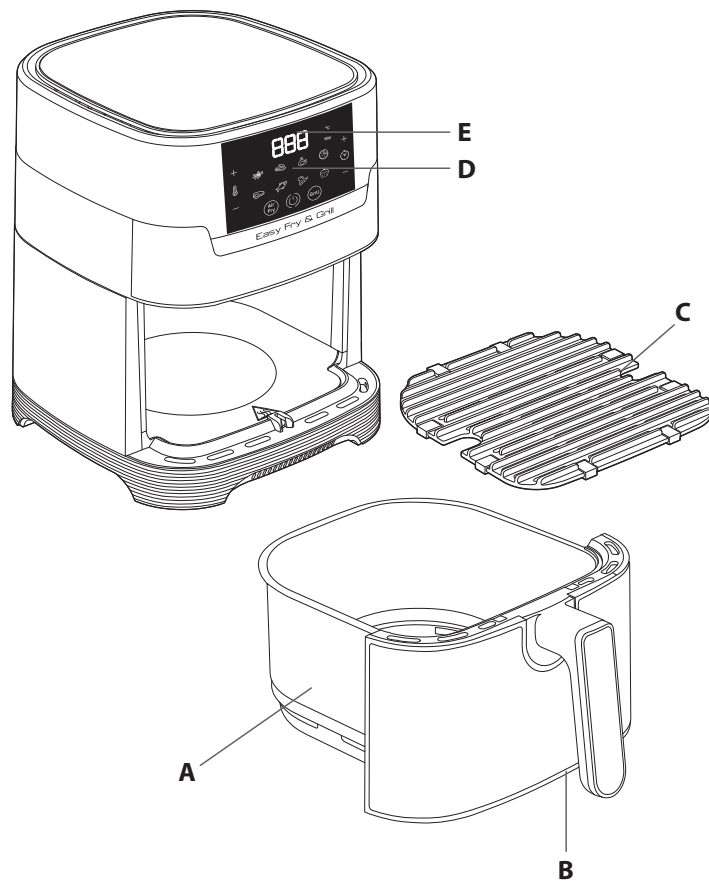
สิ่งแวดล้อม

- ก่อนที่จะใช้เครื่องใช้ของคุณ ต้องถอดแบตเตอรี่ออกจากตัวจับเวลา และนำไปทิ้งที่ศูนย์เก็บรวบรวมขยะในพื้นที่ หรือศูนย์บริการที่ได้รับอนุญาต (ขึ้นอยู่กับรุ่น)



การปกป้องสิ่งแวดล้อมต้องมาก่อน!

- 1 เครื่องใช้ของคุณประกอบด้วยวัสดุรีไซเคิล ซึ่งนำกลับมาใช้หรือรีไซเคิลได้
- 2 นำไปทิ้ง ณ จุดเก็บรวบรวมขยะในพื้นที่



คำอธิบาย

- A. น้อยสุด
- B. ตามจับหม้อทอด
- C. ตะแกรงโลหะหล่อแบบถอดได้ (Die-cast)

- D. แผงควบคุมระบบสัมผัส
- E. จอมแสดงผลเวลา/อุณหภูมิ

โหมดการทำอาหารอัตโนมัติ

- 1. เฟรนช์ฟรายส์
- 2. นั๊กเก็ต
- 3. โป๊ป
- 4. พิซซ่า
- 5. เนื้อ
- 6. ปลา
- 7. ผัก
- 8. ขนมหวาน

ก่อนการใช้งานครั้งแรก

- นำบรรจุภัณฑ์ออกทั้งหมด
- แกะสติ๊กเกอร์หรือป้ายต่างๆ ออกจากเครื่อง
- ห้ามแกะแฉกซิลิโคนออกจากตะแกรง
- ทำความสะอาดหม้อและตะแกรงแบบถอดออกได้ด้วยน้ำร้อน น้ำยาล้างจานเพียงเล็กน้อยและฟองน้ำที่ไม่ซูดสีที่อ่อน
หมายเหตุ : หม้อและตะแกรงสามารถใช้กับเครื่องล้างจานได้
- เช็ดภายในและภายนอกเครื่องด้วยผ้าหมาด เครื่องทำงานด้วยการสร้างลมร้อน ห้ามเติมน้ำมันหรือไขมันสำหรับทอดในหม้อ (A)

การเตรียมพร้อมสำหรับใช้งาน

- วางเครื่องบนพื้นผิวที่เรียบ มั่นคง หนาความร้อน และห่างไกลจากน้ำกระเด็น
- ห้ามเติมน้ำมันหรือของเหลวอื่น ๆ ลงในหม้อ**
ห้ามวางสิ่งของบนเครื่อง เพราะจะกีดขวางการไหลเวียนอากาศและส่งผลต่อผลลัพธ์ของการทอดแบบไร้น้ำมัน

การใช้งาน

Easy Fry สามารถทำอาหารได้หลากหลายเมนู ระยะเวลาที่ใช้ในการปรุงเมนูหลัก มีระบุไว้ในหัวข้อ "คู่มือการทำอาหาร"

- เสียบสายไฟเข้ากับเต้าเสียบ
- สามารถเริ่มต้มจากการอุ่นเครื่องได้ หากต้องการ โดยกดปุ่มเริ่ม ซึ่งจะกะพริบที่ที่ที่เสียบปลั๊ก หน้าจอจะแสดงอุณหภูมิที่ 180°C (356°F) เมื่อเปิดใช้งานครั้งแรก
- ปรับอุณหภูมิที่ต้องการควบคุมระบบสัมผัส บนหน้าจอดิจิทัล
- กดปุ่มเริ่มอีกครั้งเพื่อเริ่มการอุ่นเครื่อง
- เครื่องใช้จะส่งเสียงเตือนเมื่อถึงอุณหภูมิที่ตั้งไว้
- เสร็จสิ้นขั้นตอนการอุ่นเครื่อง
- ใส่อาหารลงในหม้อ

หมายเหตุ: อย่านำอาหารในหม้อเกินขีดแสดงระดับสูงสุด หรือเกินปริมาณสูงสุดที่ระบุไว้ในตาราง (ดูส่วน "คู่มือการทำอาหาร")

เนื่องจากอาจส่งผลกระทบต่อคุณภาพ

- เลือกหม้อกลับเข้าไปในเครื่อง
- ข้อควรระวัง:** ห้ามสัมผัสหม้อระหว่างใช้งานและหลังจากใช้งานเสร็จไม่นาน เพราะจะมีความร้อนสูงมาก ให้จับเฉพาะตรงด้ามจับของหม้อเท่านั้น
- ในการเริ่มทำอาหาร คุณสามารถเลือกระหว่างโหมดการทำอาหารอัตโนมัติและการตั้งค่าด้วยตนเอง
- หากเลือกการตั้งค่าด้วยตนเอง:**
 - ปรับอุณหภูมิ (⊕) ด้วยปุ่ม (+) และ (-) บนหน้าจอดิจิทัล ตัวควบคุมอุณหภูมิจะแสดงค่ากับไปตั้งแต่ 80-200°C
 - จากนั้นตั้งเวลาทำอาหารที่ต้องการด้วยการกดปุ่ม (⊕) และปรับเวลาดูด้วยปุ่ม (+) และ (-) สามารถตั้งเวลาได้ระหว่าง 0 ถึง 60 นาที
 - กดปุ่มเริ่มเพื่อเริ่มการทำอาหารตามการตั้งค่าอุณหภูมิและเวลาที่เลือก การทำอาหารจะเริ่มต้นขึ้น หน้าจอดิจิทัลจะแสดงผลอุณหภูมิที่เลือก และเวลาทำอาหารที่เหลือ สลับกันไปมา

b. หากเลือกโหมดการทำอาหารอัตโนมัติ:

- เลือกโหมดการทำอาหารที่ต้องการโดยกดไอคอนที่สัมพันธ์กับเมนูแนะนำของสัมผัส (จะอธิบายโหมดเหล่านี้ด้านล่างในหัวข้อ "คู่มือการทำอาหาร")
 - ยืนยันโหมดการทำอาหารด้วยการกดปุ่ม (⊕) ซึ่งจะเริ่มกระบวนการทำอาหาร
 - การทำอาหารจะเริ่มต้นขึ้น หน้าจอดิจิทัลจะแสดงอุณหภูมิที่เลือก และเวลาทำอาหารที่เหลือ สลับกันไปมา
 - นำมันส่วนเกินจากอาหารจะถูกรวบรวมไว้ที่ด้านล่างของหม้อ
 - อาหารบางประเภทอาจต้องมีการเขยื้อนระหว่างการทำอาหาร (ดูส่วน "คู่มือการทำอาหาร") ในการเขยื้อน ให้ดึงหม้อออกจากเครื่องโดยใช้ด้ามจับแล้วเขยื้อน จากนั้นให้เลื่อนหม้อกลับเข้าไปในเครื่องและกดปุ่มเริ่ม (⊕) อีกครั้งเพื่อเริ่มการทำอาหารอีกครั้ง
 - เมื่อคุณได้ยินเสียงจับเวลา แสดงว่าเวลาการทำอาหารสิ้นสุดแล้ว ดึงหม้อออกจากเครื่อง แล้ววางบนพื้นผิวที่ทนความร้อน
 - ตรวจดูว่าอาหารพร้อมทานหรือยัง**
หากอาหารยังไม่พร้อมทาน ให้เลื่อนหม้อกลับเข้าไปในเครื่องแล้วตั้งเวลาเพิ่มอีกเล็กน้อย
 - เมื่ออาหารสุกแล้ว ให้นำหม้อออกมา ในการนำอาหารออก ให้ใช้ที่คีบอาหารออกมาจากหม้อ
 - ข้อควรระวัง:** ในขณะที่คุณเอียงหรือคว่ำหม้อ ให้ระวังน้ำมันส่วนเกินที่สะสมอยู่ด้านล่างของหม้ออาจไหลเข้าสู่อาหาร รวมทั้งตะแกรงที่อาจตกลงมาได้
- หลังจากทอด หม้อ ตะแกรงและอาหารจะร้อนมาก โปรดระวังไอน้ำร้อนที่อาจพุ่งออกมาจากหม้อ ทั้งนี้ขึ้นอยู่กับประเภทของอาหารที่ปรุงในเครื่อง
- เมื่อปรุงอาหารชุดหนึ่งเสร็จแล้ว เครื่องจะพร้อมสำหรับทำอาหารชุดต่อไปทันที

การใช้โหมดย่าง

- ใส่ตะแกรงย่างลงในหม้อ
- กดปุ่ม (⊕) จากนั้นกดปุ่ม (⊕) บนหน้าจอเพื่อเลือกโหมดย่าง
- เลือกโหมดย่างโดยกดปุ่ม (⊕) ซึ่งจะเริ่มกระบวนการหุงตะแกรงย่าง (เวลา: 15 นาที)
- เมื่อคุณได้ยินเสียงเตือนครั้งแรก หมายถึงเสร็จสิ้นกระบวนการอุ่นตะแกรงย่างแล้ว
- นำหม้อออกจากเครื่อง แล้ววางบนพื้นผิวที่ทนความร้อน
- ข้อควรระวัง:** หม้อและตะแกรงย่างจะร้อนมาก ใช้ที่คีบอาหารวางบนตะแกรงย่าง
- วางอาหารบนตะแกรงย่างและใส่หม้อกลับเข้าไปในเครื่อง
- เลือกเวลาในการทำอาหารที่ต้องการโดยกดปุ่ม (+) และ (-) (ดูส่วน "คู่มือการทำอาหาร")
- กดปุ่มเริ่ม (⊕) เพื่อเริ่มการทำอาหาร จะแสดงอุณหภูมิและเวลาทำอาหารที่เหลือสลับกับบนหน้าจอแสดงผล
- หมายเหตุ:** ต้องหลีกเลี่ยงเนื้อเมื่อเวลาทำอาหารผ่านในเครื่อง
- นำมันส่วนเกินจากอาหารจะถูกรวบรวมไว้ที่ด้านล่างของหม้อ
- เมื่อคุณได้ยินเสียงเตือน แสดงว่ากระบวนการทำอาหารเสร็จสิ้นแล้ว นำหม้อออกจากเครื่อง แล้ววางบนพื้นผิวที่ทนความร้อน
- ตรวจดูว่าอาหารพร้อมทานหรือยัง หากอาหารยังไม่พร้อมทาน ให้กดกลับเข้าไปในเครื่องและตั้งเวลาเพิ่มอีกเล็กน้อย
- เมื่ออาหารสุกแล้ว ให้นำหม้อออกมา ในการนำอาหารออก ให้ใช้ที่คีบอาหารออกมาจากหม้อด้วยที่คีบ
- ข้อควรระวัง:** หม้อและตะแกรงย่างจะร้อนมาก

อุปแห่ง

- วางตะแกรงลงในหม้อ
- กดปุ่ม (⊕) จากนั้นปรับอุณหภูมิ (⊕) โดยกดปุ่ม (+) และ (-) ให้อยู่ที่ 80°C บนหน้าจอดิจิทัล
- จากนั้นตั้งเวลาทำอาหารที่ต้องการโดยการกดปุ่ม (⊕) และปรับเวลาดูด้วยปุ่ม (+) และ (-) คุณสามารถตั้งเวลาได้ตั้งแต่ 1 ถึง 4 ชั่วโมง
- กดปุ่มเริ่ม (⊕) เพื่อเริ่มกระบวนการอบแห้ง จะแสดงอุณหภูมิที่เลือกและเวลาทำอาหารที่เหลือบนหน้าจอแสดงผล
- เมื่อคุณได้ยินเสียงเตือน แสดงว่ากระบวนการทำอาหารเสร็จสิ้นแล้ว นำหม้อออกจากเครื่อง แล้ววางบนพื้นผิวที่ทนความร้อน
- ตรวจดูว่าอาหารพร้อมทานหรือยัง หากอาหารยังไม่พร้อมทาน ให้กดกลับเข้าไปในเครื่องและตั้งเวลาเพิ่มอีกเล็กน้อย
- เมื่ออาหารสุกแล้ว ให้นำหม้อออกมา ในการนำอาหารออก ให้ใช้ที่คีบอาหารออกมาจากหม้อด้วยที่คีบ
- ข้อควรระวัง:** หม้อและตะแกรงย่างจะร้อนมาก

คู่มือการทำอาหาร

ตารางด้านล่างจะช่วยให้คุณในการเลือกการตั้งค่าพื้นฐานสำหรับอาหารที่คุณต้องการเตรียม

หมายเหตุ: เวลาทำอาหารด้านล่างเป็นเพียงแนวทางเท่านั้น และอาจต่างกันไปตามประเภทและสีของหม้อไฟฟ้าที่ใช้ สำหรับอาหารอื่นๆ ขนาด รูปร่าง และแบรนด์อาจส่งผลต่อผลลัพธ์

ดังนั้น คุณอาจต้องปรับเวลาทำอาหารเล็กน้อย

	ปริมาณ ต่ำสุด-สูงสุด (กรัม)	เวลา โดยประมาณ (นาที)	อุณหภูมิ (°C)	โหมดการ ปรุง อาหาร	เขย่า*	ข้อมูล เพิ่มเติม
มันฝรั่งและมันฝรั่งทอด						
มันฝรั่งแช่แข็ง (ควมหนา มาตรฐาน 10 มม. x 10 มม.)	300-800 กรัม	15 - 25 นาที	200°C		ใช่	
มันฝรั่งทอดโฮมเมด (8 x 8 มม.)	300-800 กรัม	22 - 32 นาที	200°C		ใช่	คลุกน้ำมัน 1 ซ่อนโต๊ะ
มันฝรั่งทอดแช่แข็ง	300-800 กรัม	22 - 27 นาที	200°C		ใช่	คลุกน้ำมัน 1 ซ่อนโต๊ะ
เนื้อสัตว์และสัตว์ปีก						
สเต็กแช่แข็ง	100-500 กรัม	6 - 10 นาที	180°C			
เนื้ออกไก่ (ไม่มีกระดูก)	100-500 กรัม	12 - 19 นาที	180°C			
ไก่ (ทั้งตัว)	1000 กรัม	60 นาที	200°C			
ปลา						
ปลาสด, สเต็ก แซลมอน	350 กรัม	15 - 17 นาที	140°C			
กุ้ง	12 ชิ้น	4 นาที	170°C			
ขนมขบเคี้ยว						
นิกเก็ตโคแช่แข็ง	100-600 กรัม	7 - 15 นาที	200°C		ใช่	
ปีกไก่แช่แข็ง	300 กรัม	16 - 20 นาที	200°C		ใช่	
ชีสตัดแช่แข็ง	125 กรัม (5 ชิ้น)	7 - 9 นาที	180°C			
หัวหอมทอดแช่แข็ง	200 กรัม (10 ชิ้น)	8 - 10 นาที	200°C		ใช่	
ไข่						
=		15 นาที	200°C			
เนื้อ	250 กรัม	การอุ่นเครื่อง: การทำอาหาร 15 นาที: 6-8 นาที	200°C		☞	คุณสามารถเติมน้ำมัน สมุนไพรหอม และเกลือ เพื่อรสชาติที่ดียิ่งขึ้น ระหว่างทำอาหาร คุณสามารถกลับอาหารได้
ไส้กรอก	400 กรัม	การอุ่นเครื่อง: การทำอาหาร 15 นาที: 10-12 นาที	200°C		☞	คุณสามารถเติมน้ำมัน สมุนไพรหอม และเกลือ เพื่อรสชาติที่ดียิ่งขึ้น ระหว่างทำอาหาร คุณสามารถกลับอาหารได้

	ปริมาณ ต่ำสุด-สูงสุด (กรัม)	เวลา โดยประมาณ (นาที)	อุณหภูมิ (°C)	โหมดการ ปรุง อาหาร	เขย่า*	ข้อมูล เพิ่มเติม
ผัก	300 กรัม	การอุ่นเครื่อง: การ ทำอาหาร 15 นาที: 10 นาที	200°C		☞	
เนื้อปลา	200 กรัม	การอุ่นเครื่อง: การ ทำอาหาร 15 นาที: 3-5 นาที	200°C		☞	
การอบ						
มันฝรั่ง	7 ชิ้น	15 - 18 นาที	180°C			ใช้แม่พิมพ์/ จานสำหรับอบ***
เค้ก	300 กรัม	30 นาที	160°C			
ผลไม้อบแห้ง						
แอปเปิ้ลหั่นชิ้น อบแห้ง	1 ลูก	1 ชม.	80°C			

* เขย่าเมื่อเวลาทำอาหารผ่านไปครึ่งหนึ่ง

** น้ำมันของหม้อไฟฟ้าไม่ได้ปล่อย

สำคัญ: เพื่อหลีกเลี่ยงความเสี่ยงต่อเครื่องของคุณ ห้ามใส่ส่วนผสมและของเหลวเกินปริมาณสูงสุดที่ระบุไว้ในคู่มือการใช้งานและในคู่มืออาหาร

***วางแม่พิมพ์เค้ก/จานสำหรับอบลงในโอ

ในการใช้ส่วนผสมที่ (เช่น เค้ก, คีซ หรือมันฝรั่ง) ต้องไม่ใส่ส่วนผสมในจานสำหรับอบเกินครึ่งจาน

ดูสูตรอาหารออนไลน์ได้ที่ www.tefal.com

เคล็ดลับ

- โดยปกติแล้วอาหารขนาดเล็กจะใช้เวลาในการประกอบอาหารน้อยกว่าอาหารขนาดใหญ่
- อาหารปริมาณมากจะใช้เวลาในการประกอบอาหารนานขึ้นเล็กน้อย อาหารปริมาณน้อยจะใช้เวลาในการประกอบอาหารสั้นลงเล็กน้อย
- การเขย่าอาหารขนาดเล็กเมื่อผ่านไประยะของเวลาในการประกอบอาหารจะให้อุณหภูมิที่ต่ำกว่า และช่วยให้อาหารสุกอย่างทั่วถึง
- ใส่น้ำมันเล็กน้อยลงในหม้อเพื่อความสะดวก หลังจากใส่น้ำมันหนึ่งซ่อนโต๊ะ ให้ทอดมันฝรั่งภายในเวลาสองสามนาที
- อย่าใช้เครื่องปรุงอาหารที่มีไขมันเกินไป
- สามารถปรุงของว่างที่สามารถปรุงได้ในเตาอบในเครื่องได้เช่นกัน
- ปริมาณที่แนะนำสำหรับกระทอดคือ 700 กรัม
- ใช้แปรงที่ล้างจานและแปรงพวยร่วนเพื่อทำความสะอาดแบบสอดคล้องได้อย่างรวดเร็วและง่ายดาย
- วางจานสำหรับอบลงในหม้อของเครื่องหากคุณต้องการอบขนมเค้กหรือคีส หรือหากคุณต้องการทอดส่วนผสมที่บางบางหรือส่วนผสมสไลด์ คุณสามารถใช้งานสำหรับของที่ทำด้วยซิลิโคน, สเตนเลสสตีล, อะลูมิเนียม, ดินเผา
- คุณสามารถวางโรตอรีเพื่ออุ่นอาหารได้อีกด้วย ในการอุ่นร้อน ให้ตั้งอุณหภูมิไปที่ 160°C นานสูงสุด 10 นาที

การทำมันฝรั่งทอดโฮมเมด

เพื่อผลลัพธ์ที่ดีที่สุด เราแนะนำให้คุณใช้มันฝรั่งแช่แข็ง หากต้องการทำมันฝรั่งทอดโฮมเมด ให้ทำตามขั้นตอนด้านล่าง

1. เลือกมันฝรั่งที่แห้งและนำมาสำหรับทำมันฝรั่งทอด ปล่อยให้มันฝรั่งและหินไปเป็นชิ้นหนาๆ ทุกชิ้น
 2. แช่มันฝรั่งในน้ำเย็นเป็นเวลาอย่างน้อย 30 นาที แล้วเช็ดให้แห้งด้วยผ้าสะอาดที่ดูดซับได้ดี จากนั้นซับให้แห้งด้วยกระดาษความสะอาด มันฝรั่งต้องแห้งสนิทก่อนนำไปประกอบอาหาร
 3. เติมน้ำมัน 1 ซ่อนโต๊ะ (น้ำมันผัก น้ำมันดอกทานตะวัน หรือน้ำมันมะกอก) ลงในชามแห้ง ใส่มันฝรั่งลงไปแล้วคลุกด้านล่างเคลือบด้วยน้ำมัน
 4. ใช้มือหยิบมันฝรั่งออกจากชามหรือเครื่องครัวเพื่อให้มันมีส่วนเกินเหลือค้างอยู่ในชาม ใส่มันฝรั่งลงในหม้อ
- หมายเหตุ:** อ่างมันฝรั่งที่เคลือบน้ำมันลงในหม้อพร้อมกันทั้งหมดนี้ด้วย มิฉะนั้น น้ำมันส่วนเกินจะลงไปกับหม้อด้วย
5. ทอดมันฝรั่งตามคำแนะนำในคู่มือการทำอาหาร

การทำความสะอาด

ทำความสะอาดเครื่องหลังใช้งานทุกครั้ง

หม้อและตะแกรงได้รับการเคลือบสารกันติด อย่าใช้อุปกรณ์เครื่องครัวที่เป็นโลหะ หรืออุปกรณ์ทำความสะอาดซึ่งขูดขีดให้เกิดรอยใด

ในการทำความสะอาด เพราะอาจทำให้สารที่เคลือบได้รับบาดเจ็บ

1. ดึงปลั๊กไฟออกจากเต้ารับบนผนัง แล้วปล่อยให้เครื่องเย็น หมายเหตุ: นำหม้อออกจากเครื่องเพื่อไม่ให้เครื่องเย็นเร็วขึ้น
2. เช็ดภายนอกเครื่องด้วยผ้าผืนนุ่ม
3. ทำความสะอาดหม้อและตะแกรงด้วยน้ำร้อนที่ผสมน้ำยาล้างจานเล็กน้อย และใช้ฟองน้ำนุ่ม คุณสามารถใช้น้ำยาล้างจานตามันเพื่อล้างคราบสกปรก ที่เหลือ
หมายเหตุ : หม้อและตะแกรงสามารถใช้กับเครื่องล้างจานได้
เคล็ดลับ: หากมีสิ่งสกปรกติดค้างที่ด้านล่างของหม้อและตะแกรง ให้เติมน้ำร้อนลงในหม้อและน้ำยาล้างจานเล็กน้อย แล้วยกและตะแกรงค้างไว้ประมาณ 10 นาที แล้วล้างทำความสะอาดและเช็ดให้แห้ง
4. เช็ดทำความสะอาดด้านในเครื่องด้วยน้ำร้อนและผ้าผืนนุ่ม
5. ทำความสะอาดชิ้นส่วนทำความสะอาดด้วยแปรงทำความสะอาดเพื่อจัดเศษอาหาร
6. อย่านุ่มเครื่องลงในน้ำหรือของเหลวอื่นๆ

การจัดเก็บ

1. ถอดปลั๊กเครื่องและปล่อยให้เย็น
2. ตรวจสอบว่าชิ้นส่วนทั้งหมดสะอาดและแห้งแล้ว

การรับประกันและบริการ

หากคุณต้องการบริการหรือต้องการทราบข้อมูล หรือมีปัญหา โปรดไปที่เว็บไซต์ของ Tefal ที่ www.tefal.com หรือติดต่อศูนย์บริการลูกค้า Tefal ในประเทศของคุณ คุณสามารถดูรายละเอียดโทรศัพท์ได้ในแผ่นพับการรับประกันทั่วโลก หากในประเทศของคุณไม่มีศูนย์บริการลูกค้า โปรดติดต่อตัวแทนจำหน่าย Tefal ในท้องถิ่นของคุณ

การแก้ปัญหา

หากคุณพบปัญหาเกี่ยวกับเครื่อง โปรดไปที่ www.tefal.com เพื่อดูรายการคำถามที่พบบ่อย หรือติดต่อศูนย์บริการลูกค้าในประเทศของคุณ

รับประกันสินค้าระหว่างประเทศของผลิตภัณฑ์ TEFAL/T-FAL*

 : www.tefal.com

ผลิตภัณฑ์ของท่านสามารถรับประกันดูแลจากศูนย์บริการ TEFAL/T-FAL ระหว่างและหลังสิ้นสุดระยะเวลา
รับประกันตามเงื่อนไขที่กำหนด

การรับประกัน ผลิตภัณฑ์ TEFAL/T-FAL มีรับประกันสินค้าในกรณีที่เกิดจากข้อบกพร่องใด ๆ ของวัสดุหรือการ

ผลิตในช่วงระยะเวลาการรับประกันภายในประเทศ

เหล่านี้*** ที่ระบุไว้ในรายชื่อประเทศในหน้าสุดท้ายของเอกสาร โดยการรับประกันเริ่มต้นนับจากวันที่ซื้อ
ผลิตภัณฑ์หรือ วันที่จัดส่งสินค้า

การรับประกันสินค้าระหว่างประเทศ ครอบคลุมค่าใช้จ่ายทั้งหมดที่เกี่ยวข้องกับการเรียกคืนหรือซ่อมแซมผลิตภัณฑ์
ที่บกพร่อง ไม่สามารถใช้งานได้ตามคุณสมบัติของสินค้า โดยอาจทำการซ่อมแซมหรือเปลี่ยนส่วนที่ชำรุดใดๆ และ
ค่าแรงงานที่จำเป็น โดย TEFAL/T-FAL ตัดสินใจ สินค้าทดแทนอาจจะให้แทน การซ่อมสินค้า โดย TEFAL/T-FAL
มีสิทธิ์แต่เพียงผู้เดียวในการจัดการภายใต้การรับประกัน เช่น ให้ซ่อมแซมหรือเปลี่ยนผลิตภัณฑ์ดังกล่าว หรือการ
เปลี่ยนสินค้า ที่เทียบเท่าหรือดีกว่า

เงื่อนไขและการยกเว้น

TEFAL/T-FAL ไม่จำเป็นต้องซ่อมหรือเปลี่ยนผลิตภัณฑ์ที่ไม่ได้มาพร้อมกับหลักฐานการซื้อขายที่ถูกต้อง ผลิตภัณฑ์
สามารถนำมาโดยด่างหรือต้องได้รับการบรรจุอย่างเหมาะสมและมีกานันที่การส่งคืน (หรือวิธีการเทียบเท่าของ
ไปรษณีย์) เพื่อส่งถึง ศูนย์บริการที่ได้รับบริการ ตั้งแต่จาก TEFAL/T-FAL รายละเอียดของที่ตั้งศูนย์บริการที่ได้รับการ
แต่งตั้งจาก TEFAL/T-FAL ระบุไว้บนเว็บไซต์ของ TEFAL/T-FAL หรือโทรติดต่อศูนย์บริการภูมิภาคที่กำหนดไว้
ในรายชื่อของแต่ละประเทศ ที่แนบมาการรับประกันนี้ เพื่อที่จะเสนอที่ดีที่สุดที่เป็นไปได้บริการหลังการขายอย่างต่อเนื่อง
เนื่องจากเพิ่มความพึงพอใจของลูกค้า TEFAL/T-FAL อาจส่งสำรวจความพึงพอใจให้กับลูกค้าทุกคนที่มีผลิตภัณฑ์
ของพวกเขาซ่อมแซมหรือการแลกเปลี่ยนจาก TEFAL/T-FAL ศูนย์บริการที่ได้รับอนุญาต

การรับประกันนี้มีผลเฉพาะสำหรับผลิตภัณฑ์ที่ซื้อและใช้ในประเทศเท่านั้น และไม่ครอบคลุมถึงความเสียหายที่อาจ
เกิดขึ้นเป็นผลมาจากการใช้งานผิดประเภท, การไม่เอาใจใส่, การไม่ปฏิบัติตามคำแนะนำของ TEFAL/T-FAL,
ซ่อมแซมแก้ไขผลิตภัณฑ์ โดยไม่ได้รับอนุญาต, บรรจุภัณฑ์ที่ผิดพลาดโดยเจ้าของ หรือเสียหายจากการขนส่ง
นอกจากนี้ยังไม่ครอบคลุมการสึกหรอตามปกติและ การเสียหายจากการใช้งาน, การซ่อมบำรุงและ การเปลี่ยนวัสดุ
สิ้นเปลือง หรือต่อไปนี้

- การใช้ผลิตภัณฑ์กับน้ำผิดประเภท
- กลไกเกิดความเสียหายจากการใช้งานมากเกินไป
- ความเสียหายที่เกิดจากน้ำ ฝุ่น หรือแมลงเข้าไปภายในตัวผลิตภัณฑ์ (ยกเว้นผลิตภัณฑ์ที่ออกแบบเฉพาะ)
- ความเสียหายที่เกิดจากอุบัติเหตุ ภัยธรรมชาติ ต่างๆ เช่น อัคคีภัย น้ำท่วม ไฟฟ้า ฟ้าผ่า ไซเบอร์, ไฟเกิน เป็นต้น
- การใช้งานที่นอกเหนือการใช้งานภายในครัวเรือนหรือเป็นการใช้งานเชิงพาณิชย์
- ความเสียหายของอุปกรณ์ที่มาพร้อมกับผลิตภัณฑ์ เช่น เครื่องแก้วหรือกระเบื้อง
- ความเสียหายหรือผลร้ายเนื่องจากกรเชื่อมต่อที่ผิดแรงดันไฟฟ้าหรือผิดความถี่ที่ระบุในผลิตภัณฑ์หรือข้อกำหนด
ของผลิตภัณฑ์
- การปรับแต่งมาตร (การปรับแต่งมาตราใด ๆ จะต้องดำเนินการตามคำแนะนำสำหรับการใช้งาน)

สิทธิตามกฎหมายของผู้บริโภค

รับประกันระหว่างประเทศของ TEFAL/T-FAL ไม่ส่งผลกระทบต่อสิทธิตามกฎหมายของผู้บริโภคอาจจะมีหรือสิทธิที่ไม่สามารถยกเว้นหรือ จำกัด หรือสิทธิกับคู่ค้าปลีก ที่ผู้บริโภคจากผลิตภัณฑ์ที่ซื้อ การรับประกันนี้จะช่วยให้ผู้บริโภคสิทธิตามกฎหมายที่ เฉพาะเจาะจงและผู้บริโภค ยังอาจมีสิทธิทางกฎหมายอื่น ๆ ที่แตกต่างจากรัฐเพื่อให้อำนาจหรือประเทศ ผู้บริโภคอาจยื่นสิทธิดังกล่าว ขึ้นอยู่กับดุลยพินิจของผู้บริโภค

*** ระยะเวลาการรับประกันระหว่างประเทศของ TEFAL/T-FAL จะยึดตามประเทศที่ใช้งาน แม้ว่าผลิตภัณฑ์ ในประเทศที่ซื้อจะมีระยะเวลาการรับประกันที่แตกต่างกัน กระบวนการซ่อมแซมอาจต้องใช้เวลาหากสินค้า ไม่ได้ขายในพื้นที่โดย TEFAL/T-FAL หากผลิตภัณฑ์ไม่ได้ซ่อมแซม ในประเทศใหม่ที่รับประกันระหว่างประเทศ TEFAL/T-FAL อาจการเปลี่ยนโดยผลิตภัณฑ์ที่คล้ายกันหรือทางเลือกที่ต้นทุนเท่ากันที่เป็นไปได้ โปรดเก็บเอกสารนี้สำหรับนี้เพื่ออ้างอิงการรับประกัน

PETUNJUK KESELAMATAN PENGAMANAN PENTING

- Alat ini hanya ditujukan untuk keperluan rumah tangga. Alat ini tidak ditujukan untuk penggunaan berikut, garansinya juga tidak akan berlaku untuk:
 - area dapur staf di toko, kantor, dan lingkungan kerja lainnya;
 - rumah pertanian;
 - oleh klien di hotel, motel, dan lingkungan tipe hunian lainnya;
 - lingkungan jenis bed and breakfast (kamar dan sarapan).
- Alat ini tidak dimaksudkan untuk digunakan oleh orang (termasuk anak-anak) dengan keterbatasan fisik, indera atau kemampuan mental, atau kurang pengalaman dan pengetahuan, kecuali mereka telah diberi pengawasan atau instruksi mengenai penggunaan alat oleh orang yang bertanggung jawab atas keselamatan mereka.
- Awasi anak-anak untuk memastikan mereka tidak bermain dengan alat ini.
- Alat ini dapat digunakan oleh anak berusia 8 tahun ke atas dan orang dengan keterbatasan fisik, indera atau kemampuan mental, atau kurang pengalaman dan pengetahuan jika mereka telah diberi pengawasan atau instruksi mengenai penggunaan alat dengan cara yang aman dan memahami bahaya yang terlibat. Anak-anak tidak boleh bermain-main dengan alat ini. Pembersihan dan perawatan oleh pengguna tidak boleh dilakukan oleh anak-anak, kecuali mereka berusia di atas 8 tahun dan dalam pengawasan. Jauhkan alat dan kabelnya dari jangkauan anak-anak berusia di bawah 8 tahun.

id

- Alat ini tidak dimaksudkan untuk dioperasikan dengan menggunakan pengatur waktu eksternal atau sistem kendali jarak jauh yang terpisah.
- Jika kabel listrik rusak, kabel tersebut harus diganti oleh pabrik, pusat layanan resmi, atau orang yang memiliki kualifikasi serupa untuk menghindari bahaya apa pun.
- ⚠️ Permukaan yang dapat disentuh mungkin panas saat alat sedang beroperasi. Jangan menyentuh permukaan alat yang panas (tergantung model).
- Bersihkan bagian yang dapat dilepas dengan spons non-abrasif dan cairan pencuci piring atau menggunakan mesin pencuci piring (tergantung model).
- Bersihkan bagian dalam dan luar alat dengan spons atau kain lembap. Lihat bagian «Membersihkan» pada petunjuk penggunaan.
- Alat dapat digunakan hingga di ketinggian 4000 m.

Anjuran

- Baca dan ikuti Petunjuk penggunaan. Simpan di tempat yang aman.
- Singkirkan semua bahan kemasan dan label atau stiker dari alat sebelum penggunaan. Pastikan juga Anda mengeluarkan semua material dari bawah mangkuk yang bisa dilepas (tergantung model).
- Periksa apakah voltase jaringan listrik Anda sesuai dengan voltase yang tertera pada pelat peringkat alat (arus alternatif/AC).
- Mengingat beragam standar yang berlaku, jika alat digunakan di negara selain negara tempat pembeliannya, periksakan terlebih dahulu ke Pusat Servis Resmi.
- Untuk model dengan kabel listrik yang bisa dilepas, gunakan hanya kabel listrik asli.
- Selalu colokkan alat ke stopkontak yang memiliki terminal jalur arde.
- Gunakan alat pada permukaan yang datar, stabil, tahan panas, jauh dari percikan air.
- Selalu cabut steker alat: setelah digunakan, apabila akan dipindahkan, atau sebelum membersihkannya.
- Jika terjadi kebakaran, cabut colokan alat dan padamkan api menggunakan kain lap lembap.
- Untuk menghindari kerusakan pada alat, pastikan Anda mengikuti resep sesuai petunjuk dan buku resep; pastikan Anda menggunakan jumlah bahan yang tepat.

Larangan

- Jangan gunakan alat jika alat atau kabel listriknya rusak atau pernah jatuh dan terlihat rusak, atau tampak tidak berfungsi dengan baik. Jika ini terjadi, alat harus dikirim ke Pusat Servis Resmi.
- Jangan menggunakan kabel ekstensi. Namun, jika Anda tetap menggunakan kabel ekstensi, atas tanggung jawab Anda sendiri, gunakan kabel ekstensi dalam kondisi yang baik dan sesuai dengan kekuatan alat.
- Jangan biarkan kabel listrik menjuntai.
- Jangan mencabut colokan alat dengan menarik kabel listriknya.
- Jangan pernah memindahkan alat saat masih berisi makanan panas.
- Jangan mengoperasikan alat saat kosong.
- Jangan menyalakan alat di dekat bahan yang mudah terbakar (tirai, gordena...). atau dekat dengan sumber panas eksternal (kompor gas, pelat panas, dll.).
- Jangan menyimpan produk yang mudah terbakar di dekat atau di bawah unit perabot tempat peralatan berada.
- Jangan pernah membongkar sendiri alat ini.
- Jangan merendam produk di dalam air.
- Jangan gunakan produk pembersih yang kuat (terutama pengelupas berbahan dasar soda), atau bantalan penggosok atau yang serupa.
- Jangan simpan alat di luar ruangan. Simpan di tempat kering dengan ventilasi yang baik.

Saran/informasi

- Saat digunakan untuk pertama kalinya, alat mungkin dapat mengeluarkan bau tidak beracun. Ini tidak akan mempengaruhi penggunaan dan akan hilang dengan segera.
- Demi keselamatan Anda, alat ini mematuhi standar dan regulasi yang berlaku (Petunjuk tentang Voltase Rendah, Kompatibilitas Elektromagnetik, Bahan yang bersentuhan dengan makanan, Lingkungan, dll.).
- Alat ini dirancang untuk penggunaan rumah tangga saja dan bukan untuk di luar ruangan. Dalam hal penggunaan profesional, digunakan secara tidak tepat atau melanggar petunjuk penggunaan, maka pabrikan tidak menanggung tanggung jawab apapun dan garansi tidak lagi berlaku.
- Demi keselamatan Anda, gunakan hanya aksesoris dan suku cadang yang dirancang untuk peralatan Anda.

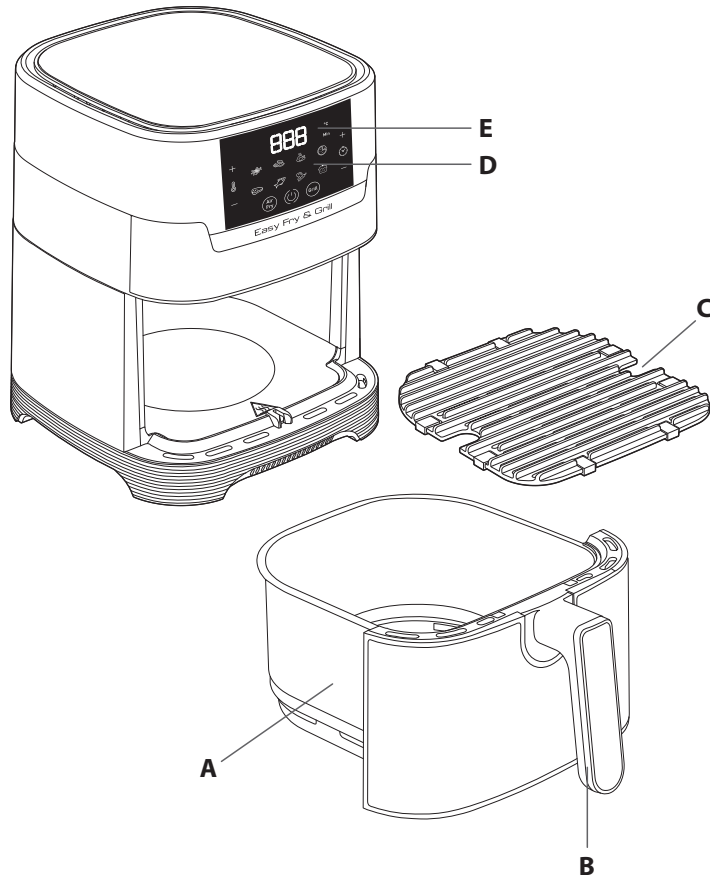
Lingkungan

- Sebelum membuang alat, baterai pengatur waktu harus dilepas dan dibuang di tempat pengumpulan sampah warga setempat atau pusat servis resmi (tergantung model).



Utamakan perlindungan lingkungan!

- ① Peralatan Anda mengandung bahan berharga yang dapat diambil lagi atau didaur ulang.
- ➔ Buanglah di tempat pengumpulan sampah warga setempat



DESKRIPSI

- A. Mangkuk
- B. Gagang mangkuk
- C. Rak pemanggang die-cast yang bisa dilepas

- D. Panel layar sentuh digital
- E. Tampilan waktu/suhu

MODE MEMASAK OTOMATIS

- 1. Kentang goreng
- 2. Nugget
- 3. Ayam panggang
- 4. Piza
- 5. Daging
- 6. Ikan
- 7. Sayuran
- 8. Hidangan penutup

SEBELUM PENGGUNAAN PERTAMA

- Lepaskan semua bahan kemasan.
 - Lepaskan semua stiker atau label dari alat.
 - Jangan lepaskan bantalan silikon pada rak.
 - Bersihkan mangkuk dan rak lepas-pasang secara menyeluruh dengan air panas, cairan pembersih, dan spons non-abrasif.
- Catatan:** Komponen dapat dibersihkan dalam mesin pencuci piring.
- Seka bagian dalam dan luar alat dengan kain lembap. Alat bekerja dengan menghasilkan udara panas. Jangan mengisi mangkuk (A) dengan minyak atau lemak.

PERSIAPAN PENGGUNAAN

- Letakkan alat pada permukaan yang rata, stabil, dan tahan panas, serta jauh dari percikan air.
- Jangan mengisi mangkuk dengan minyak atau cairan lainnya. Jangan meletakkan apa pun di atas alat. Hal ini akan mengganggu aliran udara dan memengaruhi hasil menggoreng dengan sirkulasi udara panas.

MENGGUNAKAN ALAT

Easy Fry dapat memasak berbagai resep. Waktu memasak dicantumkan di bagian 'Panduan Memasak'.

- Sambungkan kabel catu daya ke soket listrik.
- Mulai tahap pemanasan awal jika diinginkan. Untuk melakukannya, tekan tombol Start (Mulai) (🔴) yang mulai berkedip segera setelah alat dicolokkan ke stopkontak. Suhu yang ditampilkan pertama kali adalah 180°C (356°F).
 - Sesuaikan ke suhu yang diinginkan dengan tombol (+) dan (-) pada layar digital.
 - Tekan tombol Start (Mulai) lagi untuk memulai pemanasan awal.
 - Alat akan berbunyi bip saat mencapai suhu yang diinginkan.
 - Tahap pemanasan awal sekarang selesai.
- Taruh makanan dalam mangkuk.

Catatan: Jangan mengisi mangkuk melebihi tanda batas MAX atau melebihi jumlah maksimum yang ditunjukkan di dalam tabel (lihat bagian 'Panduan Memasak'), karena ini dapat memengaruhi kualitas hasil akhir.

4. Masukkan kembali mangkuk ke dalam alat.

Perhatian: Jangan menyentuh mangkuk selama alat sedang digunakan dan beberapa saat setelah selesai digunakan, karena masih sangat panas. Pegang mangkuk hanya di bagian gagangnya.

5. Untuk mulai memasak, Anda dapat memilih antara mode memasak otomatis dan setelan manual.

a. Jika memilih setelan manual:

- Sesuaikan suhu (🌡️) dengan tombol (+) dan (-) pada layar digital. Rentang suhu termostat adalah 80-200°C.
- Lalu setel waktu memasak yang diinginkan dengan menekan tombol (🕒) dan menyesuaikan waktu dengan tombol (+) dan (-). Timer dapat disetel antara 0 dan 60 menit.
- Tekan tombol Start (Mulai) untuk mulai memasak dengan setelan suhu dan waktu yang dipilih. Proses memasak dimulai. Layar akan menampilkan suhu yang dipilih dan waktu memasak yang tersisa secara bergantian.

b. Jika memilih mode memasak otomatis:

- Pilih mode memasak yang diinginkan dengan menekan ikon yang sesuai pada panel layar sentuh (mode ini dijelaskan secara detail dalam bagian "Panduan Memasak").
- Konfirmasi mode memasak dengan menekan tombol (👍). Proses memasak pun akan dimulai.
- Memasak dimulai. Layar akan menampilkan suhu yang dipilih dan waktu memasak yang tersisa secara bergantian
- 6. Kelebihan minyak dari makanan akan dikumpulkan di bagian bawah mangkuk.
- 7. Beberapa makanan perlu sedikit digoyang di tengah proses memasak (lihat bagian 'Panduan Memasak'). Untuk menggoyang-goyangkan makanan, tarik mangkuk keluar dari alat menggunakan gagangnya dan goyangkan. Kemudian masukkan kembali mangkuk ke dalam alat dan tekan lagi tombol Start (Mulai) (👍) untuk melanjutkan proses memasak.
- 8. Jika Anda mendengar suara timer, berarti waktu memasak telah habis. Tarik mangkuk keluar dari alat dan letakkan pada permukaan yang tahan panas.
- 9. **Periksa apakah makanan sudah siap.**
Jika makanan belum siap, cukup masukkan kembali mangkuk ke alat dan setel timer beberapa menit lagi.
- 10. Jika makanan sudah matang, keluarkan mangkuk. Untuk mengeluarkan makanan, gunakan penjepit untuk mengangkat makanan dari mangkuk.
Perhatian: Saat membalik mangkuk, berhati-hatilah dengan sisa minyak yang terkumpul di bagian bawah mangkuk yang dapat merembes ke makanan. Rak juga bisa terjatuh. Setelah menggoreng menggunakan sirkulasi udara panas, mangkuk, rak, dan makanan menjadi sangat panas. Tergantung jenis makanan yang dimasak dalam alat, harap berhati-hati dengan uap yang keluar dari mangkuk.
- 11. Jika makanan sudah siap, alat dapat langsung siap digunakan untuk menyiapkan makanan yang lain.

MENGGUNAKAN MODE PANGGANG

1. Letakkan rak pemanggang di dalam mangkuk alat.
2. Tekan (👍), lalu tekan (👍) pada layar untuk memilih mode Grill (Panggang).
3. Mulai mode Grill (Panggang) dengan menekan (👍). Tahap pemanasan awal pun akan dimulai (waktu : 15 menit).
4. Jika Anda mendengar suara timer, tahap pemanasan awal telah selesai.
5. Keluarkan mangkuk dari alat dan letakkan pada permukaan yang tahan panas.
Perhatian: mangkuk dan rak pemanggang sangat panas. Gunakan penjepit untuk meletakkan makanan di atas pelat pemanggang.
6. Letakkan makanan pada pelat pemanggang dan masukkan kembali mangkuk ke dalam alat.
7. Pilih waktu memasak yang diperlukan dengan menekan tombol (+) dan (-) (lihat bagian 'Panduan memasak').
8. Tekan tombol Start (Mulai) (👍) untuk mulai memasak. Layar akan menampilkan suhu dan waktu memasak yang tersisa secara bergantian.
Catatan : potongan daging harus dibalik saat setengah matang.
Kelebihan minyak dari makanan akan terkumpul di bagian bawah mangkuk.
9. Jika Anda mendengar suara timer, berarti waktu memasak telah habis. Tarik mangkuk keluar dari alat dan letakkan pada permukaan yang tahan panas.
10. Periksa apakah makanan sudah siap. Jika makanan belum siap, cukup masukkan kembali mangkuk ke alat dan setel timer beberapa menit lagi.
11. Jika makanan sudah matang, keluarkan mangkuk. Untuk mengeluarkan makanan, gunakan penjepit untuk mengangkat makanan dari mangkuk.
Perhatian: mangkuk dan rak pemanggang sangat panas.

MENGERINGKAN

1. Letakkan rak di dalam mangkuk alat.
2. Tekan (👍), lalu sesuaikan suhu (🌡️) dengan menekan tombol (+) dan (-) hingga 80°C pada layar digital.
3. Lalu setel waktu memasak yang diinginkan dengan menekan tombol (🕒) dan sesuaikan waktu dengan tombol (+) dan (-). Setel waktu antara 1 jam hingga 4 jam.
4. Tekan tombol Start (Mulai) (👍) untuk memulai proses mengeringkan. Layar akan menampilkan suhu yang dipilih dan waktu memasak yang tersisa secara bergantian.
5. Jika Anda mendengar suara timer, proses memasak telah selesai. Keluarkan mangkuk dari alat dan letakkan pada permukaan yang tahan panas.
6. Periksa apakah makanan sudah siap. Jika makanan belum siap, kembalikan mangkuk ke dalam alat dan setel timer beberapa menit lagi.
7. Jika makanan sudah matang, keluarkan mangkuk. Untuk mengeluarkan makanan, gunakan penjepit untuk mengangkat makanan dari mangkuk.
Perhatian: mangkuk dan rak pemanggang sangat panas.

PANDUAN MEMASAK

Tabel berikut membantu Anda memilih setelan dasar untuk makanan yang ingin Anda siapkan.

Catatan: Waktu memasak berikut hanya merupakan panduan dan dapat berbeda sesuai dengan variasi dan jenis kentang yang digunakan. Sedangkan untuk makanan lain, ukuran, bentuk, dan merek dapat memengaruhi hasil.

Oleh karena itu, waktu memasak mungkin perlu disesuaikan sedikit.

	Takaran Min-maks (g)	Estimasi waktu (mnt)	Suhu (°C)	Mode memasak	Goyangkan*	Informasi tambahan
Kentang dan kentang goreng						
Kentang goreng beku (ketebalan standar 10 mm x 10 mm)	300 - 800 g	15 - 25 mnt	200°C		Ya	
Kentang Goreng Buatan Sendiri (8 x 8 mm)	300 - 800 g	22 - 32 mnt	200°C		Ya	Tambahkan 1 sendok makan minyak
Potato wedges beku	300 - 800 g	22 - 27 mnt	200°C		Ya	Tambahkan 1 sendok makan minyak
Daging dan Unggas						
Steak beku	100 - 500 g	6 - 10 mnt	180°C			
Filet dada ayam (tanpa tulang)	100 - 500 g	12 - 19 mnt	180°C			
Ayam (utuh)	1000 g	60 mnt	200°C			
Ikan						
Ikan segar, steak salmon	350 g	15 - 17 mnt	140°C			
Udang	12 buah	4 mnt	170°C			
Makanan ringan						
Nugget ayam beku	100 - 600 g	7 - 15 mnt	200°C		Ya	
Sayap ayam beku	300 g	16 - 20 mnt	200°C		Ya	
Stik keju beku	125 g (5 buah)	7 - 9 mnt	180°C			
Onion ring beku	200 g (10 buah)	8 - 10 mnt	200°C		Ya	
Panggang						
		15 mnt	200°C			
Daging	250 g	Pemanasan awal: 15 mnt Memasak: 6-8 mnt	200°C			Anda dapat menambahkan minyak, rempah beraroma, dan garam untuk perasa. Saat di tengah memasak, Anda bisa membalik makanan.
Sosis	400 g	Pemanasan awal: 15 mnt Memasak: 10-12 mnt	200°C			Anda dapat menambahkan minyak, rempah beraroma, dan garam untuk perasa. Saat di tengah memasak, Anda bisa membalik makanan.

	Takaran Min-maks (g)	Estimasi waktu (mnt)	Suhu (°C)	Mode memasak	Goyangkan*	Informasi tambahan
Sayuran	300 g	Pemanasan awal: 15 mnt Memasak: 10 menit	200°C			
Filet ikan	200 g	Pemanasan awal: 15 mnt Memasak: 3-5 mnt	200°C			
Panggang Kue						
Muffin	7 buah	15 - 18 mnt	180°C			Gunakan loyang/pinggan oven***
Kue	300 g	30 mnt	160°C			
Dehidrasi / Pengerinan						
Apel dalam irisan	1 buah	1 jam	80°C			

* Goyangkan saat setengah matang.

** Berat kentang yang belum dikupas

PENTING: Untuk menghindari kerusakan pada alat, jangan pernah melebihi takaran maksimum bahan dan cairan yang ditunjukkan dalam petunjuk penggunaan dan dalam resep.

*****tempatkan loyang kue/pinggan oven di dalam mangkuk.**

Jika Anda menggunakan adonan yang mengembang (seperti kue, quiche, atau muffin), pinggan oven tidak boleh diisi lebih dari separuh.

Resep online bisa dilihat di www.tefal.com.

TIPS

- Makanan yang lebih kecil biasanya perlu waktu memasak yang lebih singkat daripada makanan yang berukuran lebih besar.
- Jumlah makanan yang lebih banyak perlu waktu memasak yang sedikit lebih lama, sedangkan makanan dalam jumlah sedikit perlu waktu memasak yang lebih singkat.
- Menggoyangkan makanan berukuran kecil saat setengah masak akan memberikan hasil akhir yang lebih baik dan dapat membantu masakan matang secara merata.
- Tambahkan sedikit minyak pada kentang segar agar renyah. Setelah menambahkan sesendok minyak, goreng kentang selama beberapa menit.
- Jangan memasak makanan yang terlalu berminyak dalam alat.
- Makanan ringan yang dapat dimasak dalam oven juga dapat dimasak menggunakan alat ini.
- Takaran optimal yang direkomendasikan untuk memasak kentang goreng adalah 700 gram.
- Gunakan puff pastry siap pakai dan short pastry untuk memasak camilan isi yang cepat dan mudah.
- Masukkan pinggan oven dalam mangkuk alat jika Anda ingin memanggang kue atau quiche atau jika Anda ingin menggoreng bahan makanan yang rapuh atau memiliki isian tertentu. Anda dapat menggunakan pinggan oven berbahan silikon, baja tahan karat, aluminium, tanah liat.
- Anda juga dapat menggunakan alat untuk memanaskan makanan. Untuk memanaskan makanan, setel suhu ke 160°C selama 10 menit.

MEMBUAT KENTANG GORENG SENDIRI

Untuk hasil terbaik, kami sarankan untuk menggunakan kentang beku. Jika Anda ingin membuat kentang goreng sendiri, ikuti langkah berikut.

1. Pilih jenis kentang yang direkomendasikan untuk membuat kentang goreng. Kupas kentang dan potong dengan ketebalan yang sama.

2. Rendam kentang dalam mangkuk berisi air dingin selama minimal 30 menit, tiriskan dan keringkan dengan serbet katun yang bersih dan sangat menyerap. Lalu tepuk-tepuk dengan tisu dapur. Kentang harus benar-benar kering sebelum dimasak.
3. Masukkan 1 sendok makan minyak (minyak sayur, bunga matahari, atau zaitun) di mangkuk kering, masukkan kentang di atasnya lalu aduk hingga kentang terlapisi minyak.
4. Keluarkan kentang dari mangkuk dengan jari atau alat dapur agar kelebihan minyak tertinggal di mangkuk. Taruh kentang di dalam mangkuk.
Catatan: Jangan memasukkan wadah kentang yang telah dilapisi minyak langsung ke dalam mangkuk sekaligus, karena kelebihan minyak akan tertinggal di bagian bawah mangkuk.
5. Goreng kentang sesuai dengan petunjuk di bagian Panduan Memasak.

PEMBERSIHAN

Bersihkan alat setiap kali selesai digunakan.

Mangkuk dan rak memiliki lapisan anti-lengket. Jangan menggunakan perabot dapur dari logam atau bahan pembersih abrasif untuk membersihkannya, karena dapat merusak lapisan anti-lengket tersebut.

1. Lepaskan steker listrik dari soket dinding dan biarkan alat mendingin. Catatan: Keluarkan mangkuk agar alat lebih cepat dingin.
2. Seka bagian luar alat dengan kain lembap.
3. Bersihkan mangkuk dan rak dengan air panas, cairan pembersih, dan spons non-abrasif. Anda dapat menggunakan cairan pembersih minyak/lemak untuk menghilangkan kotoran yang tersisa.

Catatan: Mangkuk dan rak dapat dicuci di mesin pencuci piring.

Tips: Jika kotoran melekat di bagian bawah mangkuk dan rak, tuangkan air panas dan sedikit cairan pembersih. Rendam mangkuk dan rak selama kira-kira 10 menit.

Lalu bilas hingga bersih dan kering.

4. Seka bagian dalam alat dengan air panas dan kain lembap.
5. Bersihkan elemen pemanas dengan sikat pembersih kering untuk menghilangkan sisa makanan.
6. Jangan merendam alat di dalam air atau cairan lainnya.

PENYIMPANAN

1. Cabut steker alat lalu biarkan dingin.
2. Pastikan semua komponen bersih dan kering.

GARANSI DAN SERVIS

Jika Anda membutuhkan layanan atau informasi atau mengalami masalah, kunjungi situs web Tefal di www.tefal.com atau hubungi Pusat Layanan Konsumen Tefal di negara Anda. Anda dapat menemukan nomor telepon pada lembar garansi internasional. Jika tidak ada Pusat Layanan Konsumen di negara Anda, kunjungi dealer Tefal setempat.

PENYELESAIAN MASALAH

Jika Anda menemukan masalah dengan alat, kunjungi www.tefal.com untuk melihat daftar pertanyaan yang sering diajukan atau hubungi Pusat Layanan Konsumen di negara Anda.

TEFAL / T-FAL * JAMINAN INTERNASIONAL TERBATAS

 www.tefal.com

*Produk ini dapat diperbaiki oleh TEFAL / T-FAL *, selama dan setelah masa garansi.*

Aksesori, barang habis pakai dan komponen yang dapat diganti pengguna akhir dapat dibeli, jika tersedia secara lokal, seperti yang dijelaskan pada situs internet TEFAL / T-FAL www.tefal.com

Garansi **: TEFAL / T-FAL menjamin produk ini terhadap segala cacat produksi dalam bahan atau pengerjaan selama periode jaminan di negara-negara tersebut *** sebagaimana tercantum dalam daftar negara terlampir, mulai dari tanggal awal pembelian atau tanggal pengiriman. Garansi pabrian internasional mencakup semua biaya yang terkait dengan pengembalian produk cacat yang telah terbukti sehingga sesuai dengan spesifikasi aslinya, melalui perbaikan atau penggantian bagian yang rusak dan tenaga kerja yang diperlukan. Pada pilihan TEFAL / T-FAL, produk pengganti yang setara atau unggul dapat diberikan alih-alih memperbaiki produk yang rusak. Kewajiban tunggal TEFAL / T-FAL dan resolusi eksklusif Anda berdasarkan jaminan ini terbatas pada perbaikan atau penggantian tersebut.

Ketentuan & Pengecualian: TEFAL / T-FAL tidak berkewajiban untuk memperbaiki atau mengganti produk apa pun yang tidak disertai dengan bukti pembelian yang sah. Produk dapat diambil secara langsung atau harus dikemas dan dikembalikan secara memadai, dengan pengiriman tercatat (atau metode ongkos kirim yang setara), ke pusat layanan resmi TEFAL / T-FAL. Detail alamat lengkap untuk pusat layanan resmi masing-masing negara tercantum di situs web TEFAL / T-FAL (www.tefal.com) atau dengan menghubungi pusat layanan konsumen yang sesuai yang tercantum dalam daftar negara terlampir. Untuk menawarkan layanan purna jual sebaik mungkin dan secara konstan meningkatkan kepuasan pelanggan, TEFAL / T-FAL dapat mengirimkan survei kepuasan kepada semua pelanggan yang produknya diperbaiki atau ditukar di pusat layanan resmi TEFAL / T-FAL. Jaminan ini hanya berlaku untuk produk yang dibeli dan digunakan untuk keperluan domestik dan tidak akan mencakup kerusakan yang terjadi akibat penyalahgunaan, kelalaian, kegagalan untuk mengikuti instruksi TEFAL /

T-FAL, atau modifikasi atau perbaikan yang tidak sah dari produk, kemasan yang rusak oleh pemilik atau kesalahan penanganan oleh operator apa pun. Ini juga tidak mencakup keausan normal, perawatan atau penggantian komponen habis pakai, atau yang berikut ini:

- kerusakan atau hasil yang buruk secara khusus karena tegangan atau frekuensi yang salah seperti dicap pada ID produk atau spesifikasi
- menggunakan jenis air yang salah atau dapat dikonsumsi
- kerusakan mekanis, kelebihan beban
- masuknya air, debu, atau serangga ke dalam produk (tidak termasuk peralatan dengan fitur yang dirancang khusus untuk serangga)
- penskalaan (segala penskalaan harus dilakukan sesuai dengan petunjuk penggunaan)
- kerusakan akibat petir atau lonjakan daya
- kerusakan pada gelas atau porselen yang ada dalam produk
- kecelakaan termasuk kebakaran, banjir, dll
- penggunaan profesional atau komersial

Hak Wajib Konsumen : Tjamanan TEFAL / T-FAL internasional ini tidak memengaruhi Hak Hukum yang mungkin dimiliki konsumen atau hak-hak yang tidak dapat dikecualikan atau dibatasi, atau hak terhadap pengecer tempat konsumen membeli produk tersebut. Jaminan ini memberikan hak hukum khusus bagi konsumen, dan konsumen juga dapat memiliki hak hukum lainnya yang berbeda dari satu Negara ke Negara lainnya. Konsumen dapat menegaskan hak tersebut atas kebijakannya sendiri. *** Dimana suatu produk dibeli di negara yang terdaftar dan kemudian digunakan di negara lain yang terdaftar, durasi jaminan TEFAL / T-FAL internasional adalah periode untuk negara penggunaan, bahkan jika produk tersebut dibeli di negara yang terdaftar dengan durasi garansi yang sama. Proses perbaikan mungkin memerlukan waktu lebih lama jika produk tersebut tidak dijual secara lokal oleh TEFAL / T-FAL di negara tempat penggunaan. Jika produk tidak dapat diperbaiki di negara baru penggunaan, jaminan TEFAL / T-FAL internasional terbatas pada penggantian oleh produk serupa atau alternatif dengan biaya yang sama, jika mungkin.

**** Peralatan rumah tangga TEFAL muncul di bawah merek T-FAL di beberapa wilayah seperti Amerika dan Jepang. TEFAL / T-FAL adalah merek dagang terdaftar dari Groupe SEB. Simpan dokumen ini untuk referensi Anda jika Anda ingin mengajukan klaim berdasarkan jaminan.


****Hanya untuk Australia:**

Barang-barang kami datang dengan jaminan yang tidak dapat dikecualikan di bawah Undang-Undang Konsumen Australia. Anda berhak atas penggantian atau pengembalian uang untuk kegagalan besar dan kompensasi untuk segala kerugian atau kerusakan yang dapat diperkirakan secara wajar lainnya. Anda juga berhak memiliki barang yang diperbaiki atau diganti jika barang rusak memiliki kualitas yang dapat diterima dan kerusakan tidak sama dengan kerusakan besar.

****Hanya untuk India:** Produk Tefal Anda dijamin selama 2 tahun. Jaminan mencakup secara eksklusif perbaikan produk yang cacat, tetapi sesuai pilihan TEFAL, produk pengganti mungkin disediakan alih-alih memperbaiki produk yang rusak. Adalah wajib bahwa konsumen, untuk memperbaiki produknya, harus mencatat permintaan layanan pada aplikasi Smartphone khusus APP SERVICE TEFAL atau dengan menghubungi Pusat Layanan Konsumen TEFAL di **1860-200-1232, Jam buka Senin-Sabtu 09:00 hingga 06:00 SORE.** Produk yang dikembalikan oleh Post tidak akan ditanggung oleh garansi. Sebagai bukti pembelian, konsumen harus memberikan kartu jaminan yang dicap dan memo tunai ini.

HƯỚNG DẪN VỀ AN TOÀN BIỆT PHÁP BẢO VỆ QUAN TRỌNG

- Thiết bị này được thiết kế để sử dụng trong gia đình. Thiết bị này không được thiết kế để sử dụng trong các trường hợp sau đây, và bảo hành sẽ không áp dụng cho:
 - khu vực nhà bếp nhân viên ở các cửa hàng, văn phòng và các môi trường làm việc khác;
 - trang trại;
 - khách hàng trong khách sạn, nhà nghỉ và các môi trường dạng dân cư khác;
 - loại hình lưu trú chỉ phục vụ giường ngủ và bữa sáng.
- Thiết bị này không được thiết kế để sử dụng bởi các cá nhân (bao gồm cả trẻ nhỏ) có khuyết tật về thể chất, giác quan hoặc tâm thần, hoặc thiếu kinh nghiệm và kiến thức, trừ khi họ được giám sát hoặc chỉ dẫn sử dụng thiết bị bởi một người chịu trách nhiệm về sự an toàn của họ.
- Trẻ nhỏ phải được giám sát để đảm bảo chúng không nghịch phá thiết bị này.
- Trẻ em từ 8 tuổi trở lên và người bị suy giảm khả năng thể chất, giác quan hoặc tâm thần hoặc thiếu kinh nghiệm và kiến thức có thể sử dụng thiết bị này nếu họ được giám sát hoặc hướng dẫn sử dụng thiết bị an toàn và hiểu rõ các mối nguy hiểm liên quan. Trẻ em không được chơi đùa với thiết bị này. Trẻ em không được phép thực hiện công việc vệ sinh và bảo dưỡng thiết bị trừ khi các em trên 8 tuổi và được giám sát. Giữ thiết bị và dây nguồn tránh xa khỏi tầm với của trẻ em dưới 8 tuổi.

- Thiết bị này không được thiết kế để vận hành bằng đồng hồ hẹn giờ bên ngoài hoặc hệ thống điều khiển từ xa riêng biệt.
- Nếu dây nguồn bị hỏng, phải để nhà sản xuất, trung tâm dịch vụ được cấp phép hoặc nhân sự đủ trình độ tương tự thay thế để tránh xảy ra nguy hiểm.
-  Khi thiết bị đang vận hành, nhiệt độ của các bề mặt tiếp cận có thể cao. Không được chạm vào các bề mặt nóng của thiết bị (tùy vào mẫu máy).
- Vệ sinh các bộ phận có thể tháo rời bằng miếng bọt biển không gây mài mòn và nước rửa chén. Không dùng máy rửa chén để vệ sinh thiết bị này.
- Vệ sinh mặt trong và mặt ngoài của thiết bị bằng một miếng bọt biển ẩm hoặc vải ẩm. Vui tham khảo phần «Vệ sinh» trong hướng dẫn sử dụng.
- Thiết bị có thể được sử dụng ở độ cao 4000 m.

Việc nên làm

- Đọc kỹ và thực hiện theo các hướng dẫn sử dụng. Bảo quản cẩn thận.
- Tháo tất cả vật liệu bao bì và nhãn hoặc tem dán quảng cáo ra khỏi thiết bị trước khi sử dụng. Hãy nhớ tháo mọi vật liệu phía dưới nơi có thể tháo rời (tùy vào mẫu máy).
- Kiểm tra xem điện áp của mạng lưới điện của bạn có tương ứng với điện áp ghi trên biển thông số của thiết bị (dòng điện xoay chiều) hay không.
- Dựa trên các chuẩn hiện hành khác nhau, nếu sử dụng thiết bị này ở một quốc gia khác với quốc gia nơi mua, hãy nhờ trung tâm dịch vụ được cấp phép tiến hành kiểm tra.
- Đối với các mẫu máy có dây nguồn có thể tháo rời, chỉ sử dụng dây nguồn chính hãng.
- Luôn cắm phích cắm của thiết bị vào một ổ cắm có nối đất.
- Sử dụng thiết bị trên một bề mặt bằng phẳng, ổn định, chịu nhiệt, cách xa chỗ bị nước bắn vào.
- Luôn rút phích cắm điện của thiết bị; sau khi sử dụng, để di chuyển thiết bị hoặc để vệ sinh thiết bị.
- Trong trường hợp có hỏa hoạn, hãy rút phích cắm của thiết bị và dập lửa bằng một tấm vải ẩm.
- Để tránh làm hỏng thiết bị của bạn, hãy đảm bảo bạn làm theo các công thức nấu ăn trong hướng dẫn và sách nấu ăn; đảm bảo rằng bạn sử dụng đúng lượng nguyên liệu.

Việc không nên làm

- Không sử dụng thiết bị nếu thiết bị hoặc dây nguồn bị hỏng hoặc thiết bị bị rơi và có dấu hiệu hư hỏng hoặc có vẻ như đang hoạt động không bình thường. Nếu trường hợp này xảy ra, phải gửi thiết bị đến Trung tâm dịch vụ được cấp phép.
- Không sử dụng dây nguồn dài. Tuy nhiên, nếu bạn chấp nhận trách nhiệm pháp lý khi làm như thế, hãy sử dụng đầu dây nối dài ở tình trạng tốt và phù hợp với công suất của thiết bị.
- Không để dây điện treo lủng lẳng.
- Không được rút phích cắm thiết bị bằng cách kéo dây nguồn.
- Tuyệt đối không được di chuyển thiết bị khi thiết bị chứa thức ăn nóng.
- Tuyệt đối không được vận hành thiết bị khi thiết bị đang trống không.
- Không bật thiết bị gần các vật liệu dễ cháy (mành, rèm...) hoặc để gần nguồn nhiệt bên ngoài (bếp ga, bếp điện, v.v.).
- Không cất giữ bất cứ sản phẩm nào dễ cháy gần hoặc bên dưới ngăn nội thất nơi đặt thiết bị.
- Tuyệt đối không tự tháo rời thiết bị.
- Không được nhúng sản phẩm vào nước.
- Không sử dụng bất kỳ sản phẩm cọ rửa mạnh nào (đặc biệt là dung dịch tẩy sơn pha soda), miếng rửa chén hay miếng cọ rửa.
- Không cất giữ thiết bị ngoài trời. Bảo quản thiết bị ở nơi khô ráo và thông thoáng.

Lời khuyên/Thông tin

- Khi bạn sử dụng sản phẩm lần đầu tiên, sản phẩm có thể phát ra mùi không độc hại. Hiện tượng này sẽ không ảnh hưởng đến việc sử dụng sản phẩm và sẽ nhanh chóng biến mất.
- Để đảm bảo an toàn cho bạn, thiết bị này tuân thủ theo các tiêu chuẩn và quy định hiện hành (Chỉ thị về Điện áp thấp, Độ tương thích điện từ, Vật liệu tiếp xúc với thực phẩm, Môi trường, v.v.).
- Thiết bị này được thiết kế để chỉ sử dụng trong nhà chứ không phải ngoài trời. Trong trường hợp sử dụng cho mục đích chuyên nghiệp, sử dụng không thích hợp hoặc không tuân theo hướng dẫn, nhà sản xuất không chịu trách nhiệm và bảo hành sẽ không được áp dụng.
- Để đảm bảo an toàn cho chính bạn, chỉ sử dụng các phụ kiện và bộ phận thay thế được thiết kế cho thiết bị của bạn.

Môi trường

- Trước khi bạn thải bỏ thiết bị, pin trong bộ hẹn giờ phải được tháo ra và xử lý tại trung tâm thu gom rác dân dụng địa phương hoặc trung tâm bảo hành được cấp phép (tùy thuộc vào mẫu máy).

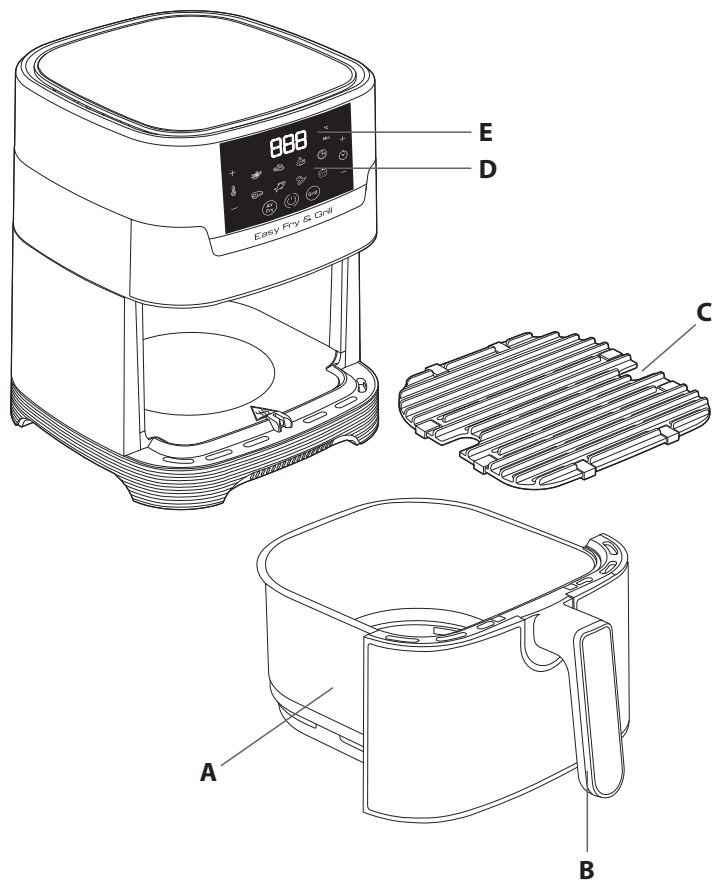


Bảo vệ môi trường là trên hết!

- ① Thiết bị của bạn có các vật liệu có giá trị có thể được phục hồi hoặc tái chế.



➔ Hãy thải bỏ thiết bị tại địa điểm thu gom rác thải dân dụng ở địa phương



MÔ TẢ

- A. Giò chiên
- B. Tay cầm
- C. Ví nướng có thể tháo rời
- D. Bảng điều khiển cảm ứng kỹ thuật số
- E. Màn hình hiển thị thời gian/nhiệt độ

CÁC CHẾ ĐỘ NẤU TỰ ĐỘNG

- 1. Khoai tây chiên
- 2. Gà viên chiên
- 3. Gà quay
- 4. Pizza
- 5. Thịt
- 6. Cá
- 7. Rau củ
- 8. Tráng miệng

TRƯỚC KHI SỬ DỤNG LẦN ĐẦU

1. Tháo gỡ tất cả vật liệu đóng gói.
2. Tháo bỏ tất cả miếng dán hoặc nhãn ra khỏi thiết bị.
3. Không tháo miếng đệm silicon của tấm lưới.
4. Rửa sạch giỏ chiên và vỉ nướng bằng nước nóng, một ít nước rửa chén và một miếng bọt biển không gây mài mòn.

Bạn có thể rửa các bộ phận này trong máy rửa chén.

5. Lấy miếng vải ẩm lau sạch bên trong và bên ngoài thiết bị. Thiết bị hoạt động bằng cách tạo ra luồng khí nóng. Không đổ dầu hoặc mỡ chiên vào giỏ (A).

CHUẨN BỊ SỬ DỤNG

1. Đặt thiết bị trên một bề mặt bằng phẳng, ổn định, chịu nhiệt, cách xa chỗ bị nước bắn vào.
2. **Không cho dầu hoặc bất cứ chất lỏng nào khác vào giỏ. Không đặt bất cứ thứ gì lên trên thiết bị. Làm như vậy sẽ làm gián đoạn luồng khí và ảnh hưởng đến kết quả chiên bằng khí nóng.**

SỬ DỤNG THIẾT BỊ

Nồi chiên Easy Fry có thể chế biến rất nhiều công thức nấu ăn. Thời gian nấu các món ăn thông thường có trong phần "Hướng dẫn nấu".

1. Kết nối dây nguồn với ổ cắm điện.
2. Bắt đầu bằng bước gia nhiệt trước nếu muốn. Để gia nhiệt trước, nhấn nút **Bắt đầu** (🔥), nút này sẽ nhấp nháy ngay sau khi thiết bị được cắm điện. Nhiệt độ hiển thị trong lần sử dụng đầu tiên là 180°C.
 - Điều chỉnh đến nhiệt độ mong muốn bằng nút **+** và nút **-** trên màn hình kỹ thuật số.
 - Nhấn nút **Bắt đầu** một lần nữa để bắt đầu gia nhiệt trước.
 - Thiết bị sẽ phát ra tiếng bíp khi đã đạt nhiệt độ.
 - Đến đây, bước gia nhiệt trước đã kết thúc.
3. Xếp thức ăn vào giỏ.

Lưu ý: Không cho thức ăn vào giỏ vượt quá chỉ dấu mức tối đa hoặc vượt quá lượng tối đa theo chỉ dẫn trong bảng (xem phần "Hướng dẫn nấu"), vì như vậy có thể ảnh hưởng đến chất lượng của món ăn.

4. Trượt giỏ vào lại thiết bị.

Thận trọng: Không chạm vào giỏ trong khi sử dụng và một lúc sau khi sử dụng vì giỏ sẽ rất nóng. Chỉ cầm giỏ bằng tay cầm.

5. Để bắt đầu nấu, bạn có thể chọn giữa chế độ nấu tự động và chế độ cài đặt thủ công.

a. Nếu chọn chế độ cài đặt thủ công:

- Điều chỉnh nhiệt độ (🔥) bằng nút (+) và nút (-) trên màn hình kỹ thuật số. Thiết bị cho phép điều chỉnh nhiệt độ trong khoảng 80-200°C.
- Sau đó, cài đặt thời gian nấu mong muốn bằng cách nhấn nút (🕒) và điều chỉnh thời gian bằng nút (+) và nút (-). Có thể cài đặt thời gian cho bộ hẹn giờ trong khoảng từ 0 đến 60 phút.
- Nhấn nút Bắt đầu để bắt đầu nấu với mức nhiệt độ và thời gian đã chọn. Quá trình nấu bắt đầu. Nhiệt độ đã chọn và thời gian nấu còn lại sẽ luân phiên hiển thị trên màn hình.

b. Nếu chọn chế độ nấu tự động:

- Chọn chế độ nấu mong muốn bằng cách nhấn biểu tượng tương ứng trên bảng điều khiển cảm ứng (các chế độ này được mô tả chi tiết trong phần "Hướng dẫn nấu").
 - Xác định chế độ nấu bằng cách nhấn nút (🕒). Thao tác này sẽ khởi động quá trình nấu.
 - Quá trình nấu bắt đầu. Nhiệt độ đã chọn và thời gian nấu còn lại sẽ luân phiên hiển thị trên màn hình.
6. Dấu thừa từ thức ăn đọng lại ở đáy giỏ.
7. Một số loại thức ăn cần phải được lắc trộn trong quá trình nấu (xem mục "Hướng dẫn nấu"). Để lắc trộn thức ăn, hãy kéo giỏ ra khỏi thiết bị bằng tay cầm và lắc trộn thức ăn. Sau đó trượt giỏ vào lại thiết bị và nhấn nút Bắt đầu (🔥) một lần nữa để tiếp tục nấu
8. Khi bạn nghe âm báo của bộ hẹn giờ, thời gian nấu do bạn đặt đã kết thúc. Kéo giỏ ra khỏi thiết bị và đặt trên một mặt phẳng chịu nhiệt.
9. **Kiểm tra xem thức ăn đã chín chưa.**
Nếu chưa chín, bạn chỉ cần trượt giỏ vào lại thiết bị và hẹn giờ thêm vài phút.
10. Khi thức ăn đã chín, hãy lấy giỏ ra. Để lấy thức ăn ra, hãy dùng kẹp gấp để nhấc thức ăn ra khỏi giỏ.

Thận trọng: Khi bạn di chuyển giỏ, hãy cẩn thận với phần dấu thừa đọng lại ở đáy giỏ có thể dính lên thức ăn và lưới có thể rơi xuống.

Sau quá trình chiên không dầu, giòn chiên, vi nướng và thức ăn sẽ rất nóng. Tùy theo loại thức ăn được nấu trong thiết bị, hãy cẩn thận vì hơi nóng có thể thoát ra từ giỏ chiên.

11. Khi nấu xong một mẻ, thiết bị có thể nấu mẻ khác ngay lập tức.

SỬ DỤNG CHẾ ĐỘ NƯỚNG VI

1. Đặt vi nướng vào giỏ chiên của thiết bị.
2. Nhấn (🔥), sau đó nhấn (🕒) trên màn hình để chọn chế độ Nướng vi.
3. Bắt đầu chế độ Nướng vi bằng cách nhấn (🕒). Thao tác này sẽ khởi động bước gia nhiệt trước (thời gian: 15 phút).
4. Khi bạn nghe thấy âm báo của bộ hẹn giờ, quá trình gia nhiệt trước đã kết thúc.
5. Lấy giỏ ra khỏi thiết bị rồi đặt trên một mặt phẳng chịu nhiệt.

Thận trọng: Giỏ và tấm lưới rất nóng. Dùng kẹp gấp để xếp thức ăn lên tấm lưới.

6. Xếp thức ăn lên tấm lưới và trượt giỏ vào lại thiết bị.
7. Chọn thời gian nấu cần thiết bằng cách nhấn nút (+) và nút (-) (xem mục "Hướng dẫn nấu").

8. Nhấn nút Bắt đầu (🔥) để bắt đầu quá trình nấu. Nhiệt độ và thời gian nấu còn lại sẽ luân phiên hiển thị trên màn hình.

Lưu ý: Thịt nguyên miếng cần phải được lật trở giữa chừng.

Dấu thừa từ thức ăn sẽ đọng lại ở đáy giỏ chiên.

9. Khi bạn nghe thấy âm báo của bộ hẹn giờ, quá trình nấu đã kết thúc. Lấy giỏ ra khỏi thiết bị rồi đặt trên một mặt phẳng chịu nhiệt.

10. Kiểm tra xem thức ăn đã chín chưa. Nếu chưa chín, hãy đặt giỏ vào lại thiết bị và đặt hẹn giờ thêm vài phút.

11. Khi thức ăn đã chín, hãy lấy giỏ ra. Để lấy thức ăn ra, dùng kẹp gấp để nhấc thức ăn ra khỏi giỏ.

Thận trọng: Cẩn thận sau khi máy nấu xong, giỏ chiên, vi nướng và thức ăn rất nóng.

SẤY KHÔ

1. Đặt tấm lưới vào trong giỏ.
2. Nhấn (🔥), sau đó điều chỉnh nhiệt độ (🔥) bằng cách nhấn nút (+) và nút (-) đến khi màn hình kỹ thuật số hiển thị 80°C.
3. Sau đó, đặt thời gian nấu mong muốn bằng cách nhấn nút (🕒) và điều chỉnh thời gian bằng nút (+) và nút (-). Bạn có thể cài đặt thời gian trong khoảng từ 1 giờ đến 4 giờ.
4. Nhấn nút Bắt đầu (🔥) để bắt đầu quá trình sấy khô. Nhiệt độ đã chọn và thời gian nấu còn lại sẽ luân phiên hiển thị trên màn hình.
5. Khi bạn nghe thấy âm báo của bộ hẹn giờ, quá trình nấu đã kết thúc. Lấy giỏ ra khỏi thiết bị rồi đặt trên một mặt phẳng chịu nhiệt.
6. Kiểm tra xem thức ăn đã chín chưa. Nếu chưa chín, hãy đặt giỏ vào lại thiết bị và đặt hẹn giờ thêm vài phút.
7. Khi thức ăn đã chín, hãy lấy giỏ ra. Để lấy thức ăn ra, dùng kẹp gấp để nhấc thức ăn ra khỏi giỏ.

Thận trọng: Giỏ và tấm lưới rất nóng.

HƯỚNG DẪN NẤU

Bảng dưới đây sẽ giúp bạn lựa chọn các chế độ cài đặt cơ bản cho loại thức ăn bạn muốn chế biến.

Lưu ý: Thời gian nấu dưới đây chỉ mang tính chất hướng dẫn và có thể thay đổi tùy theo loại và lượng khoai tây cần chế biến. Đối với các loại thức ăn khác, kích thước, hình dạng và nhãn hiệu có thể ảnh hưởng đến kết quả.

Do đó, bạn có thể sẽ cần điều chỉnh thời gian nấu đôi chút.

	Lượng tối thiểu-tối đa (g)	Thời gian ước chừng (phút)	Nhiệt độ (°C)	Nút chức năng	Lắc trộn*	Thông tin bổ sung
Khoai tây và đồ chiên						
Khoai tây cắt lát đông lạnh (độ dày thông thường 10 mm x 10 mm)	300 - 800 g	15 - 25 phút	200°C	🔥	Có	
Khoai tây chiên kiểu Pháp tự làm tại nhà (8 x 8 mm)	300 - 800 g	22 - 32 phút	200°C	🔥	Có	Thêm 1 muỗng canh dầu ăn
Khoai tây cắt múi đông lạnh	300 - 800 g	22 - 27 phút	200°C	🔥	Có	Thêm 1 muỗng canh dầu ăn

	Lượng tối thiểu-tối đa (g)	Thời gian ước chừng (phút)	Nhiệt độ (°C)	Nút chức năng	Lắc trộn*	Thông tin bổ sung
Thịt và gia cầm						
Bit tét đông lạnh	100 - 500 g	6 - 10 phút	180°C			
Phi-lê ức gà (không xương)	100 - 500 g	12 - 19 phút	180°C			
Gà (nguyên con)	1000 g	60 phút	200°C			
Cá						
Cá tươi, bit tét cá hồi	350 g	15 - 17 phút	140°C			
Tôm	12 miếng	4 phút	170°C			
Đồ ăn vặt						
Gà viên đông lạnh	100 - 600 g	7 - 15 phút	200°C		Có	
Cánh gà đông lạnh	300 g	16 - 20 phút	200°C		Có	
Phô mai que đông lạnh	125 g (5 miếng)	7 - 9 phút	180°C			
Vòng hành tây đông lạnh	200 g (10 miếng)	8 - 10 phút	200°C		Có	
Nướng vi						
=		15 phút	200°C			
Thịt	250 g	Gia nhiệt trước: 15 phút Nấu: 6 - 8 phút	200°C			Bạn có thể thêm dầu ăn, rau thơm và muối để tăng thêm hương vị. Bạn có thể lật trở thức ăn trong quá trình nấu.
Xúc xích	400 g	Gia nhiệt trước: 15 phút Nấu: 10 - 12 phút	200°C			Bạn có thể thêm dầu ăn, rau thơm và muối để tăng thêm hương vị. Bạn có thể lật trở thức ăn trong quá trình nấu.
Rau củ	300 g	Gia nhiệt trước: 15 phút Nấu: 10 phút	200°C			
Phi-lê cá	200 g	Gia nhiệt trước: 15 phút Nấu: 3 - 5 phút	200°C			
Nướng bánh						
Bánh nướng xốp	7 miếng	15 - 18 phút	180°C			Sử dụng hộp thiếc/ khay nướng lò***
Bánh giòn	300 g	30 phút	160°C			
Sấy khô						
Táo thái mỏng	1 miếng	60 phút	80°C			

* Lắc trộn giữa chừng trong quá trình nấu.

** Lượng khoai tây chưa gọt vỏ

QUAN TRỌNG: Để tránh làm hỏng thiết bị, không cho nguyên liệu và chất lỏng vào vượt quá mức tối đa cho phép trong hướng dẫn sử dụng và trong công thức chế biến.

***Đặt hộp thiếc nướng bánh/khay nướng lò vào giỏ.

Khi chế biến thức ăn sẽ nở ra (chẳng hạn như bánh ngọt, bánh quiche hoặc bánh nướng xốp), bạn không nên cho thức ăn vào quá nửa khay nướng.

Truy cập www.tefal.com để xem công thức nấu ăn trực tuyến.

LỜI KHUYÊN

- Thức ăn có kích thước nhỏ thường cần ít thời gian nấu hơn so với thức ăn có kích thước lớn.
- Thức ăn nhiều cần thời gian nấu lâu hơn đôi chút so với thức ăn ít.
- Lắc trộn giữa chừng trong quá trình nấu các loại thức ăn có kích thước nhỏ sẽ giúp thức ăn ngon hơn và tránh tình trạng thức ăn chín không đều.
- Thêm một chút dầu ăn vào khoai tây tươi để khoai chín giòn ngon hơn. Sau khi thêm một muỗng canh dầu ăn, chiên khoai tây trong vài phút.
- Không nấu thức ăn có quá nhiều dầu mỡ trong thiết bị.
- Các món ăn nhẹ nấu được trong lò nướng cũng có thể nấu được trong thiết bị này.
- Định lượng tối ưu được khuyến nghị cho món khoai tây chiên là 700 gram.
- Sử dụng bột puff và bột shortcrust nhào sẵn để chế biến các món ăn nhẹ nhanh gọn và dễ dàng.
- Đặt khay nướng vào giỏ của thiết bị nếu bạn muốn nướng bánh ngọt hoặc bánh quiche hoặc nếu bạn muốn chiên các thức ăn để vỡ hoặc có nhân. Bạn có thể sử dụng khay nướng lò bằng silicon, thép không gỉ, nhôm, sành.
- Bạn cũng có thể sử dụng thiết bị để hâm nóng thức ăn. Để hâm nóng thức ăn, hãy đặt nhiệt độ ở 160°C trong tối đa 10 phút.

LÀM KHOAI TÂY CHIÊN LÁT MỎNG TẠI NHÀ

Để có kết quả tốt nhất, bạn nên sử dụng lát khoai tây đông lạnh. Nếu bạn muốn tự làm khoai tây chiên lát mỏng, hãy làm theo các bước dưới đây.

- Chọn trong các loại khoai tây được gợi ý để làm khoai tây chiên. Gọt vỏ và cắt khoai tây thành từng lát có độ dày bằng nhau.
- Ngâm khoai tây cắt lát trong một tô nước lạnh ít nhất 30 phút, để ráo nước và thấm khô bằng khăn sạch, có khả năng thấm hút tốt. Sau đó, vỗ bằng khăn giấy dùng trong nấu ăn. Khoai tây cắt lát phải thật khô trước khi đem chiên.
- Lấy 1 muỗng canh dầu ăn (dầu thực vật, dầu hướng dương hoặc dầu ô-liu) cho vào một chiếc tô khô ráo, cho khoai tây cắt lát lên trên và trộn cho đến khi khoai tây được phủ một lớp dầu.
- Lấy khoai tây ra khỏi tô bằng tay hoặc dụng cụ nhà bếp, để dầu thừa lại trong tô. Xếp khoai tây vào giỏ.

Lưu ý: Không lấy tô đựng khoai tây trộn dầu ăn đổ trực tiếp vào giỏ chiên, nếu không dầu thừa sẽ đọng ở dưới đáy giỏ chiên.

- Chiên khoai tây theo hướng dẫn trong mục Hướng dẫn nấu.

VỆ SINH

Vệ sinh thiết bị sau mỗi lần sử dụng.

Giỏ chiên và tấm lưới có một lớp phủ chống dính. Không sử dụng dụng cụ nhà bếp bằng kim loại hoặc dụng cụ vệ sinh gây mài mòn để làm sạch giỏ chiên và tấm lưới, vì như vậy có thể làm hỏng lớp chống dính.

1. Rút phích cắm điện ra khỏi ổ cắm trên tường và để thiết bị nguội lại. Lưu ý: Lấy giẻ ra để thiết bị nguội nhanh hơn.
2. Lau bên ngoài thiết bị bằng một miếng vải ẩm.
3. Rửa sạch giỏ và tấm lưới bằng nước nóng, một ít nước rửa chén và một miếng bọt xốp không gây mài mòn. Bạn có thể sử dụng dung dịch khử dầu mỡ để loại bỏ các vết bẩn còn sót lại.

Giò chiên và tấm lưới có thể rửa được bằng máy rửa chén.

Lời khuyên: Nếu vết bẩn bị kẹt dưới đáy giỏ chiên và tấm lưới, hãy đổ nước nóng cùng một ít nước rửa chén vào. Ngâm giỏ chiên và tấm lưới trong khoảng 10 phút. Sau đó rửa sạch và để khô.

4. Lau bên trong thiết bị bằng nước nóng và một tấm vải ẩm.
5. Làm sạch bộ phận gia nhiệt bằng bàn chải khô và sạch để loại bỏ cặn thức ăn.
6. Không được nhúng thiết bị vào nước hay bất cứ chất lỏng nào khác.

BẢO QUẢN

1. Rút phích cắm của thiết bị và để thiết bị nguội lại.
2. Đảm bảo tất cả các bộ phận đều sạch và khô ráo.

BẢO HÀNH VÀ DỊCH VỤ

Nếu bạn cần tìm hiểu dịch vụ hoặc thông tin hay gặp vấn đề, vui lòng truy cập trang web của Tefal www.tefal.com.vn hoặc liên hệ với Trung tâm Chăm sóc Khách hàng hotline 180055521. Bạn có thể tìm thấy số điện thoại trong phiếu bảo hành toàn cầu. Nếu không có Trung tâm Chăm sóc Khách hàng tại quốc gia của bạn, hãy liên hệ với đại lý Tefal tại địa phương bạn.

XỬ LÝ SỰ CỐ

Nếu bạn gặp vấn đề với thiết bị, hãy truy cập www.tefal.com.vn để xem danh sách các câu hỏi thường gặp hoặc liên hệ với Trung tâm Chăm sóc Khách hàng tại quốc gia bạn.

TEFAL/T-FAL* INTERNATIONAL LIMITED GUARANTEE



Sản phẩm này được TEFAL/T-FAL sửa chữa trong và sau thời gian bảo hành.

Có thể mua các phụ kiện, hàng tiêu dùng và vật tư có thể thay thế nếu có sẵn tại các quốc gia như mô tả trên trang web của TEFAL/T-FAL www.tefal.com

Bảo hành

TEFAL/T-FAL đảm bảo sản phẩm này không có bất kỳ khuyết điểm sản xuất hoặc tay nghề trong thời gian bảo hành tại các quốc gia *** như đã nêu trong danh sách quốc gia ở trang cuối của hướng dẫn sử dụng, bắt đầu từ ngày đầu tiên mua hàng hoặc từ ngày nhận hàng.

Việc bảo hành của các nhà sản xuất quốc tế bao gồm tất cả chi phí liên quan đến việc sửa lại sản phẩm được chứng minh lỗi để phù hợp với thông số kỹ thuật ban đầu, qua việc sửa chữa hoặc thay thế bất kỳ phần nào khiếm khuyết và công việc cần thiết. TEFAL/T-FAL có thể thay thế sản phẩm tương đương hay cao hơn thay vì sửa chữa sản phẩm. Điều chế độ bảo hành này, TEFAL/T-FAL sẽ giới hạn sửa chữa hoặc thay thế sản phẩm mới của khách hàng.

Điều kiện bảo hành & Ngoại trừ

TEFAL/T-FAL sẽ không có nghĩa vụ sửa chữa hoặc thay thế bất kỳ sản phẩm mà không kèm theo chứng minh mua hợp lệ. Sản phẩm có thể được trực tiếp mang theo người hoặc phải được đóng gói đúng và gửi trả về, xác nhận bao phát (hoặc hình thức tương đương của bưu chính), cho trung tâm dịch vụ ủy quyền của TEFAL/T-FAL. Chi tiết địa chỉ của các trung tâm dịch vụ ủy quyền ở từng quốc gia được liệt kê trên trang web của TEFAL/T-FAL hoặc điện thoại trung tâm dịch vụ khách hàng theo Danh mục Quốc gia đính kèm.

Để cung cấp dịch vụ hậu mãi tốt nhất và không ngừng nâng cao sự hài lòng của khách hàng, TEFAL / Tefal* có thể sẽ khảo sát sự hài lòng của khách hàng đã sử dụng dịch vụ hậu mãi của các trung tâm dịch vụ ủy quyền TEFAL / Tefal*.

Bảo hành này chỉ áp dụng cho các sản phẩm đã mua và sử dụng cho mục đích gia dụng và sẽ không bao gồm bất kỳ thiệt hại nào có thể xảy ra do kết quả của việc sử dụng sai, bất cẩn, không thao tác theo hướng dẫn của TEFAL/T-FAL, hoặc sửa đổi trái phép hoặc sửa chữa sản phẩm, bao bì bị lỗi do chủ sở hữu hoặc do hãng vận chuyển xử lý sai. Không bao gồm hao mòn thông thường, bảo dưỡng hoặc thay thế các bộ phận tiêu thụ, hoặc như sau:

- Sử dụng nguồn nước không phù hợp hoặc tiêu hao -Thiệt hại về cơ học, quá tải điện áp.
- Cặn bẩn (bất kỳ cặn bẩn phải được thực hiện theo hướng dẫn sử dụng) -Tai nạn bao gồm hỏa hoạn, lũ lụt, sét đánh.v.v
- Thiệt hại đến bất kỳ bộ phận thủy tinh hoặc sứ -Sử dụng chuyên dụng hoặc thương mại
- Thiệt hại hoặc kết quả xấu đặc biệt do điện áp sai hoặc tần số sai so với nhãn ghi trên mã nhận diện sản phẩm hoặc đặc tính kỹ thuật.
- Nước, bụi bẩn và côn trùng xâm nhập vào bên trong sản phẩm (trừ các thiết bị có các tính năng được thiết kế đặc biệt cho côn trùng)

Quyền lợi hợp pháp của người tiêu dùng

Bảo hành sản phẩm TEFAL/T-FAL quốc tế không ảnh hưởng đến quyền lợi pháp định, người tiêu dùng có thể có những quyền không thể loại trừ hoặc hạn chế, có quyền khiếu nại nhà bán lẻ nơi người tiêu dùng mua sản phẩm. Bảo hành này cho người tiêu dùng quyền lợi hợp pháp riêng biệt, và người tiêu dùng cũng có thể có quyền hợp pháp khác biệt từ Bang này đến Bang khác hoặc Quốc Gia này đến Quốc gia khác. Người tiêu dùng có thể đòi quyền lợi đó dựa trên quyết định của mình.

* Thiết bị gia dụng TEFAL xuất hiện dưới thương hiệu Tefal ở một số vùng lãnh thổ như Mỹ và Nhật Bản. TEFAL / Tefal là thương hiệu đã đăng ký của Groupe SEB.


*** Trong trường hợp sản phẩm được mua ở một quốc gia được liệt kê trong danh sách và sau đó được sử dụng tại một quốc gia khác được liệt kê, thì thời hạn bảo hành của TEFAL/T-FAL quốc tế căn cứ vào thời hạn quy định tại quốc gia khách hàng sử dụng sản phẩm, ngay cả khi sản phẩm đã được mua tại một quốc gia được liệt kê trong danh sách với thời hạn bảo hành khác nhau. Quy trình sửa chữa có thể sẽ lâu hơn nếu sản phẩm không được TEFAL/T-FAL bán tại quốc gia đó. Nếu sản phẩm không thể sửa chữa tại quốc gia mới, thì TEFAL/T-FAL quốc tế sẽ hạn chế việc thay thế sản phẩm bằng một sản phẩm tương tự hoặc thay thế bằng một sản phẩm có chi phí tương đương, nếu có thể.

Hãy giữ tài liệu này để tham khảo và xuất trình khi bạn có yêu cầu bảo hành sản phẩm.

TEFAL/T-FAL INTERNATIONAL GUARANTEE: COUNTRY LIST

SMALL HOUSEHOLD APPLIANCES

www.tefal.com

				
HK	香港 HONG KONG	1 year	8130 8998	SEB ASIA Ltd. 9/F, South Block, Skyway House 3 Sham Mong Road, Tai Kok Tsui, Kowloon Hong-Kong
ID	INDONESIA	1 year	+62 21 6220 2288	PT GROUPE SEB INDONESIA MSD, TCC Batavia Bld. Jl. K.H. Mas Mansyur No. 126, Karet Tengsin, Tanah Abang, Kota Jakarta Pusat, Daerah Khusus Ibukota Jakarta 10250, Indonesia
MY	MALAYSIA	2 years	603 7802 3000	GROUPE SEB MALAYSIA SDN. BHD, Unit No. 402-403, Level 4, Uptown 2, No. 2, Jalan SS21/37, Damansara Uptown, 47400, Petaling Jaya, Selangor D.E. Malaysia
SG	SINGAPORE	2 years	6550 8900	GROUPE SEB (Singapore) Pte. Ltd. 3A International Business Park #12-04/05, ICON@IBP Singapore 609935
TH	ประเทศไทย THAILAND	2 years	02 765 6565	GROUPE SEB THAILAND 2034/66 Hathai Tower, 14th Floor, n° 14-02, New Phatchburi Road, Bangkok, Huaykwang, Bangkok, 10320
VN	VIETNAM	2 năm 2 years	1800-555521	Groupe SEB Vietnam JSC 25 Nguyen Thi Nho Str, Ward 9, Tan Binh Dist, HCM city

2021-07-01

TEFAL/T-FAL INTERNATIONAL GUARANTEE

Date of purchase / Date d'achat / Fecha de compra / Købsdato / Ostopäiva / Kjøpsdato / Inköpsdatum / Ostukaupitev / Pirkuma datums / Įsigijimo data / Data zakupu / Datum izročitve blaga / Datum kupovine / Vásárlás dátuma / Data achiziției / Дата на закупуване / Дата продажи / Час продажы ор. / Дата продажы / Сатылган күні / 購入日 / 进货日 / 구입일자 / Датум на купување :

Product reference / Référence produit / Referencia del producto / Referencenummer / Tuotenumero / Artikkelnummer / Produktreferens / Toote viitenumber / Produkta atsauces numurs / Gaminio numeris / Referența produsului / Oznaka proizvoda / Tip aparata / Készleték típusa / Cod produs / Model / Модель / Подтип / Модель / Yariici / 製品リファレンス番号 / 进货编号 / 제품명 / Подтипоти за произвоодот :

Retailer name and address / Nom et adresse du revendeur / Nombre y dirección del minorista / Forhandler navn & adresse / Jälleenmyyjän nimi ja osoite / Forhandler navn og adresse / Aterförsäljarens namn och adress / Müüja kauplus ja address / Veikala nosaukums un adrese / Parduotuves pavadinimas ir adresas / Nazwa i adres sprzedawcy / Naziv i adresa prodajnog mjesta / Naziv in naslov trgovine / Forgalmazó neve és címe / Numele și adresa vânzătorului / Търговски обект / Назва та адреса продавца / Чыгуқуыштың атауы мен мекен-жайы / Название и адрес продавца / Сатышының атауы мен мекен-жайы / 販売店名、住所 / 进货店名及地址 / 소매점 이름과 주소 / Име и адреса на продавач :

Distributor stamp / Cachet / Sello del distribuidor / Forhandler stempel / Jälleenmyyjän leima / Forhandler stempel / Aterförsäljarens stämpel / Tempel / Zimogs / Antspaudas / Piezēde sprēdzavcy / Pečet distributera / Pečet trgovine / Forgalmazó pecsétje / Ștampila vânzătorului / Печат на търговския обект / Печатка продавца / Ч/лрр. / Печать продавца / Сатыштын аты / 販売店印 / 进货店印 / 소매점 직인 / Печат на дистрибутор :

1520013329