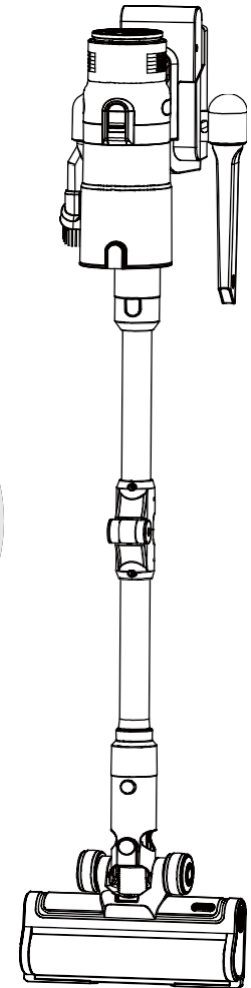




SVC6114HH

Cordless vacuum cleaner



**PLEASE READ THIS MANUAL CAREFULLY BEFORE USING THE APPLIANCE
AND KEEP IT PROPERLY FOR FUTURE USE.**

IMPORTANT SAFETY INSTRUCTIONS

BEFORE USING THIS APPLIANCE READ ALL INSTRUCTIONS AND CAUTIONARY MARKINGS IN THIS MANUAL AND ON THE APPLIANCE.

When using an electrical appliance, basic precautions should always be followed, including the following:

WARNING

These warnings apply to the appliance, and also where applicable, to all tools, accessories, chargers or main adaptors.

01. This appliance can be used by children aged from 8 years and above and persons with reduced physical, sensory or reasoning capabilities, or lack of experience and knowledge, only if they have been given supervision or instruction by a responsible person concerning use of the appliance in a safe way and understand the hazards involved. Cleaning and user maintenance shall not be made by children without supervision.
02. Do not allow to be used as a toy. Close attention is necessary when used by or near children. Children should be supervised to ensure that they do not play with the appliance.
03. Use the appliance only as described in this manual and do not carry out any maintenance other than that described in this manual.
04. Suitable for dry locations ONLY. Do not use outdoors or on wet surfaces.
05. Do not handle any part of the plug or appliance with wet hands.
06. Do not use with a damaged cable or plug. If the supply cable is damaged it must be replaced by its service agent or similarly qualified person in order to avoid a hazard.
07. If the device is not working properly, has been hit hard, dropped, damaged, left outdoors, or dropped into water, do not use it and contact the after-sales hotline.
08. When service or repair is required, please contact the after-sales hotline. Do not disassemble the device as incorrect reassembly may result in electric shock or fire.
09. Do not stretch the cable or place the cable under strain. Keep the cable away from heated surfaces. Do not close a door on the cable, or pull the cable around sharp edges or corners. Arrange the cable away from traffic areas and where it will not be stepped on or tripped over. Do not run over the cable.
10. Do not unplug by pulling on the cable. To unplug, grasp the plug, not the cable. The use of an extension cable is not recommended.
11. Do not use to pick up water.
12. Do not use to pick up flammable or combustible liquids, such as petrol, or use in areas where they or their vapours may be present.
13. Do not pick up anything that is burning or smoking, such as cigarettes, matches, or hot ashes.
14. Keep hair, loose clothing, fingers, and all parts of the body away from openings and moving parts, such as the brush bar. Do not point the hose, wand or tools at your eyes or ears or put them in your mouth.
15. Do not put any object into openings. Do not use with any opening blocked, keep free of dust lint, hair, and anything that may reduce airflow.

16. Use only original recommended accessories and replacement parts.
17. Do not use without the clear bin and filter in place.
18. Unplug when not in use for extended periods and before maintenance or servicing.
19. Use extra care when cleaning on stairs.
20. Do not install, charge or use this appliance outdoors, in a bathroom or within 3 metres (10 feet) of a pool. Do not use on wet surfaces and do not expose to moisture, rain or snow.
21. Only use the original charger to charge this device. Use only original batteries: other types of batteries may explode, causing personal injury and damage.
22. Do not incinerate this appliance even if it is severely damaged. The battery may explode in a fire.
23. Always turn 'OFF' the appliance before connecting or disconnecting the motorised brush bar.
24. The appliance is only to be used with the power supply unit provided with the appliance.

READ AND SAVE THESE INSTRUCTIONS THIS APPLIANCE IS INTENDED FOR HOUSEHOLD USE ONLY



Do not use near naked flames.

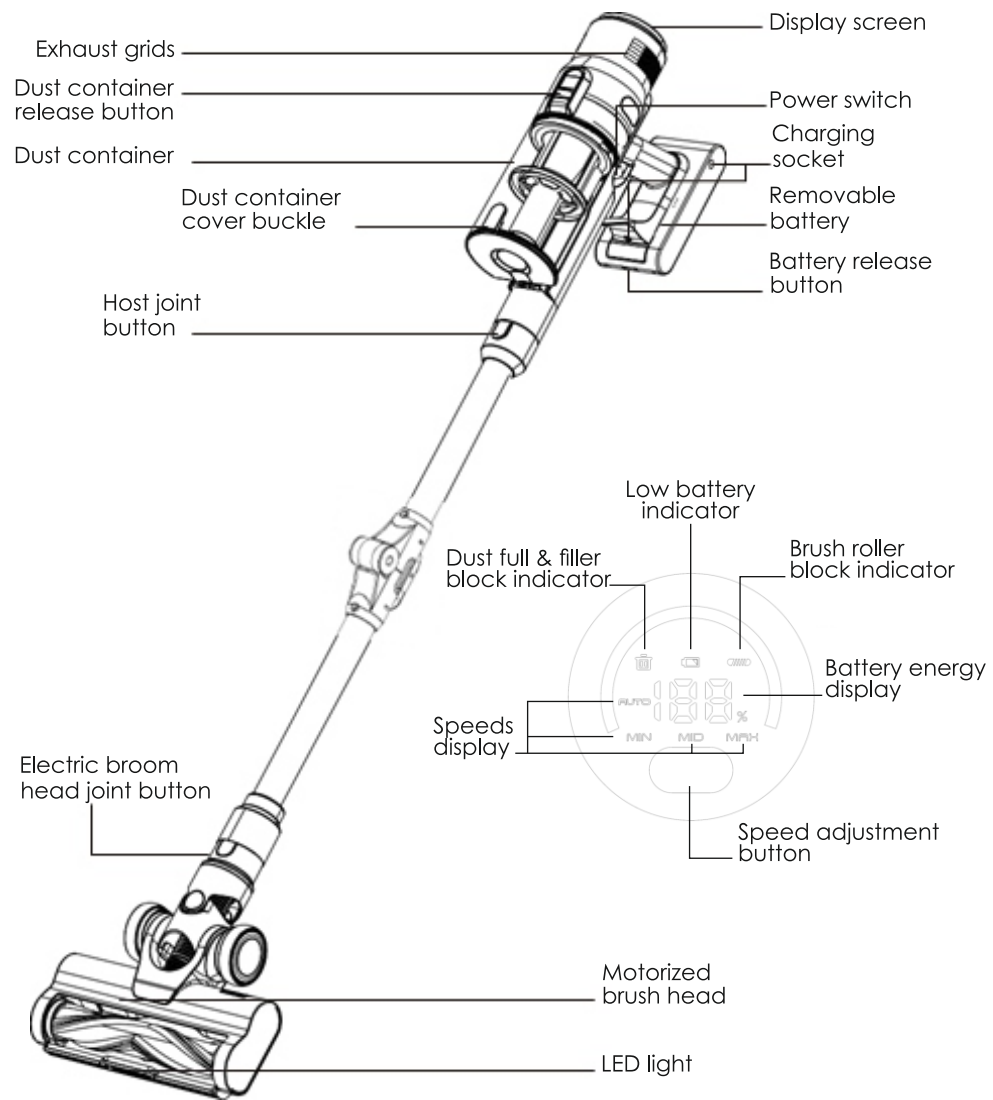
Do not store near heat sources.

Do not pick up water or liquids.

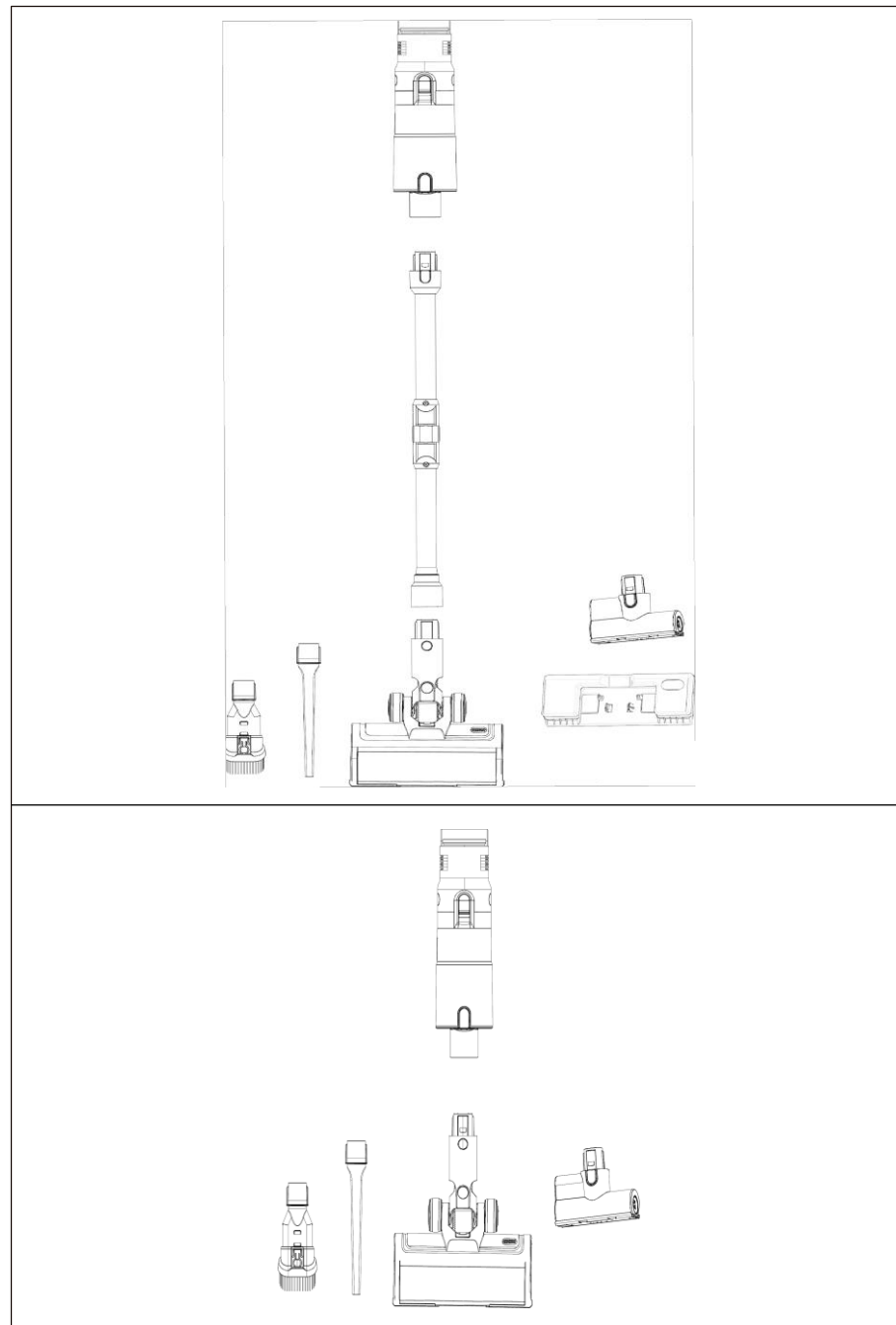
Do not pick up burning objects.

Do not put hands near the brush bar when the appliance is in use.

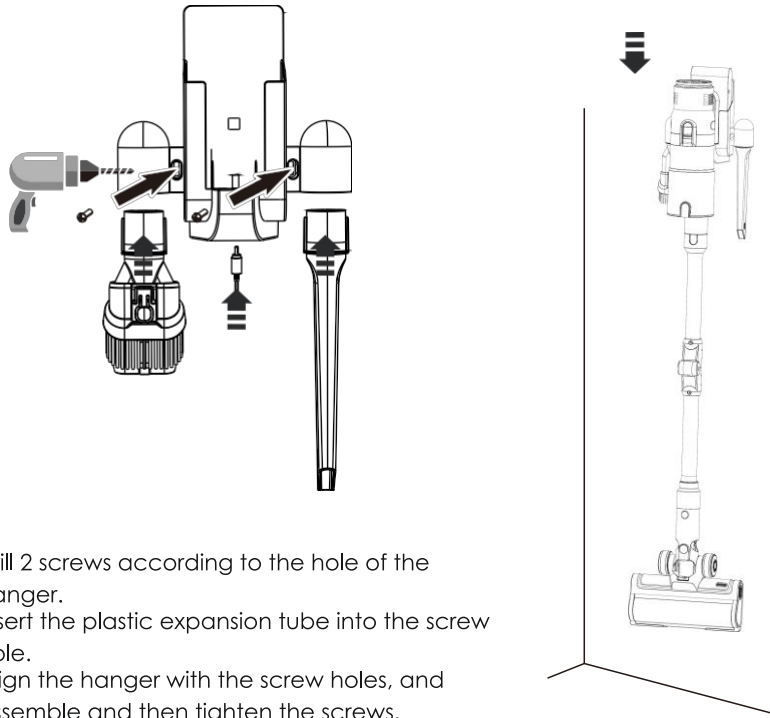
Product composition



Accessory installation



Wall-mounted charging station installation



01. Drill 2 screws according to the hole of the hanger.
02. Insert the plastic expansion tube into the screw hole.
03. Align the hanger with the screw holes, and assemble and then tighten the screws.

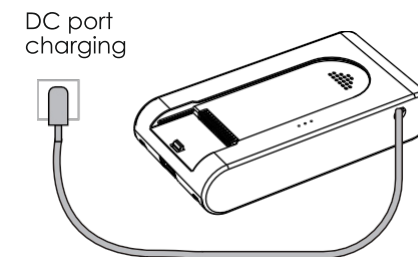
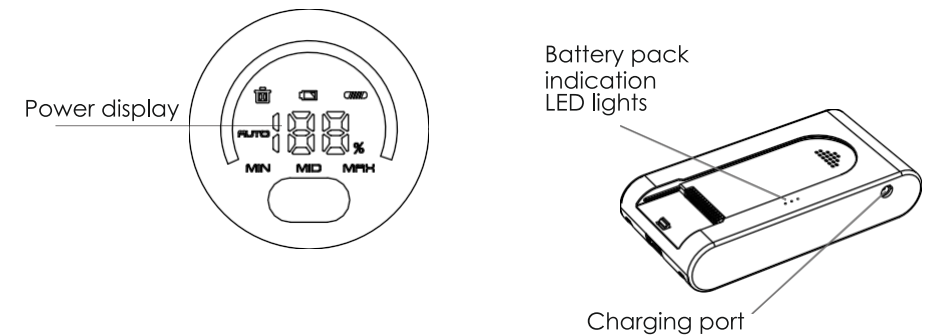
Parameters

Model No.	SVC6114HH
Nominal voltage	28.8V
Rated power	430W
Rated input current	1A
Adapter rated input	100-240V, 50/60Hz
Adapter rated output	35V
Charging time	5 hours

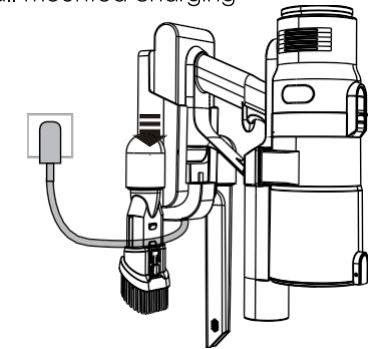
Product use

During the working process of the machine, when the power of the LED display module shows 00%, it indicates that the power is insufficient and needs to be charged.

01. Please use the built-in charger of the machine to charge.
02. Turn off the power of the host, and insert the adapter into the charging port to charge.
03. The LED display module displays the real-time power, and the LED light on the battery pack flashes, indicating that the charging is normal.
04. The LED display module displays 100%, and the LED light on the battery pack is always on and blue color, indicating that the charging is complete. 10 minutes later after full charging, all lights will off.



Wall-mounted charging

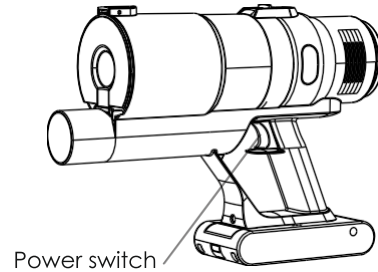
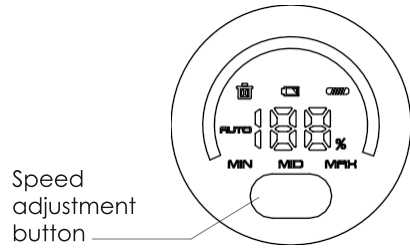


ⓘ Attention

01. This machine can only be charged with the supplied power adapter.
02. The machine can't work during the charging process. At this time, pressing the power switch, the machine does not work.

Instructions for product use

01. As shown in the figure below, a variety of combination modes can be realized by matching the host and accessories. After the machine is assembled, press the switch button to start the machine and start working, and press it again to shut down.
02. Switching on defaults to low, pressing the speed adjustment button switches to Auto speed, press again for switching to Low, Medium, High.

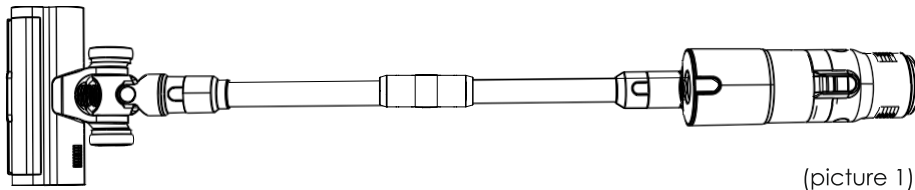


■ Vacuum cleaner use

The desired suction tip can be used by connecting it to the suction tip holder. The metal extension tube can be selectively used depending on the actual environment.

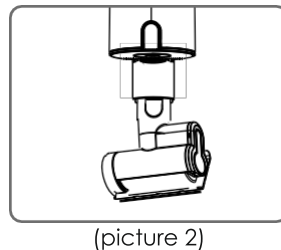
■ Use of the motorized floor brush

The motorized floor brush can be used to clean hard floors, floor tiles or short-haired carpets. It is recommended to use a metal extension tube for a better experience. (picture 1)



■ Use small motorized turbo head

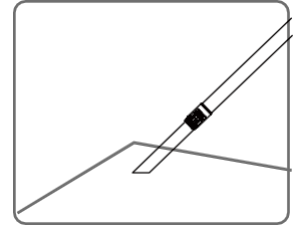
Insert and fix it for use. The turbo head can be used to clean furniture, mattresses, cribs, stair carpet, area rugs as well as pet fur. (picture 2)



Instructions for product use

■ Use of the long flat suction tip

Insert the long flat suction tip into the suction tip holder and fix it for use. The long flat suction tip can be used to clean ceilings, bookshelves, computer keyboards and narrow gaps that are not easy to be cleaned up, etc. (picture 3)

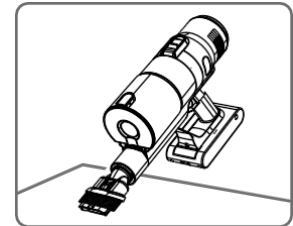


(picture 3)

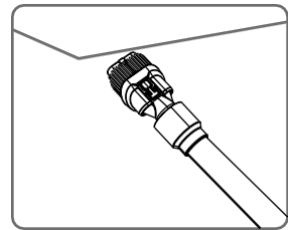
■ Use a 2-in-1 tip

Insert the 2-in-1 into the tip holder and secure it for use.

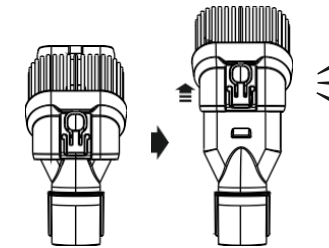
01. Directly connected to the engine, the 2-in-1 suction head can be used to clean desktops, cabinets, sofas, short-haired carpets, etc. (picture 4)
02. Attach the metal extension tube, the 2-in-1 suction head can be used to clean the ceiling, curtains and other heights. (picture 5)



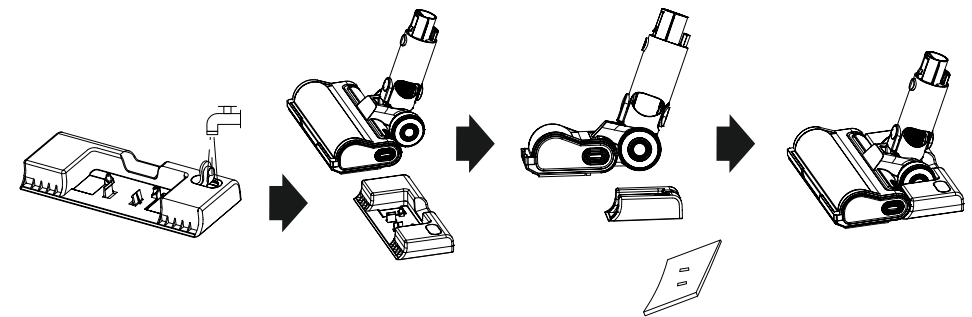
(picture 4)



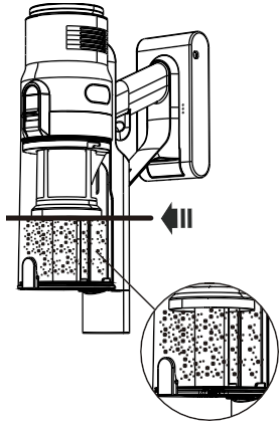
(picture 5)



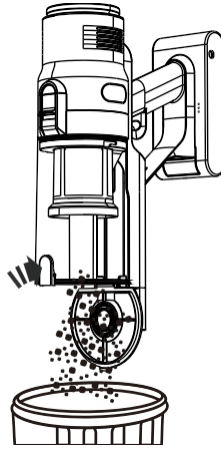
■ How to use the mopping accessory



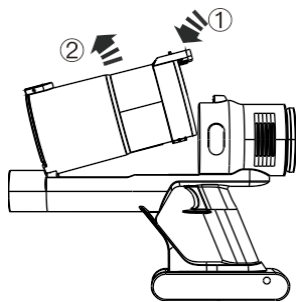
01. Empty the dust cup when dust inside is paralleled with the lower rim of filter case. Otherwise, the suction may be weakened.



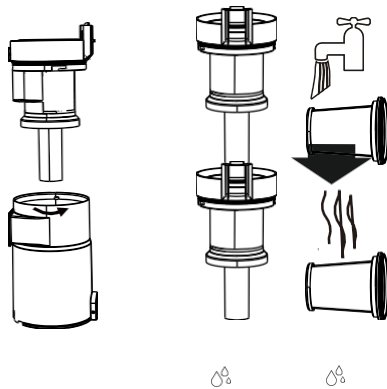
02. Open the dust cup lid to dump dust.



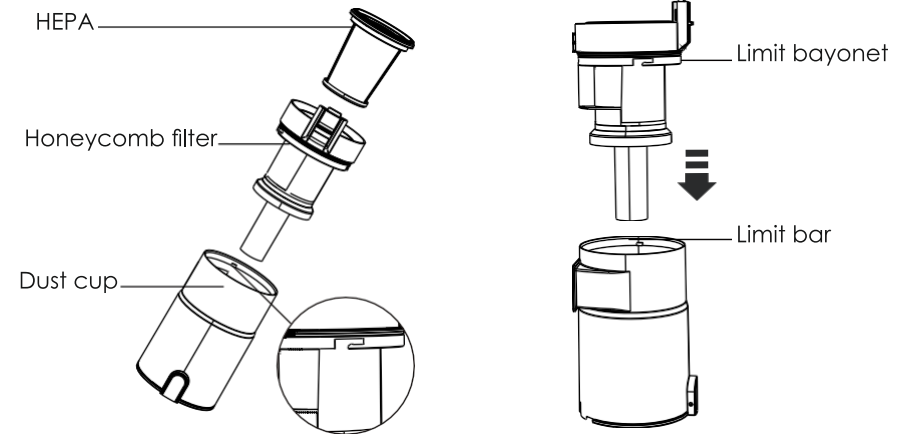
03. Dust container and filter assembly: Detach dust container.



04. Clean filter assembly.



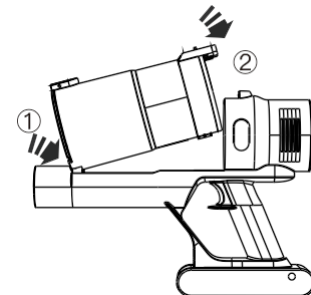
Note: After washing the HEPA filter and filter sponge, please dry them before use.



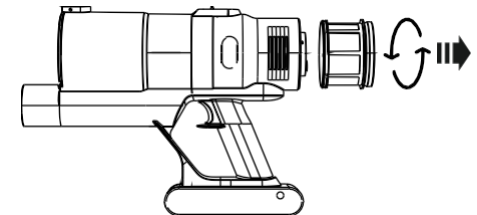
ⓘ Attention

- 01. Please clean the HEPA assembly weekly, otherwise it may be clogged.
- 02. If the filter assembly is washed, it must be dried before use.
- 03. The HEPA is a consumable product, it is recommended to replace it every 3 months.

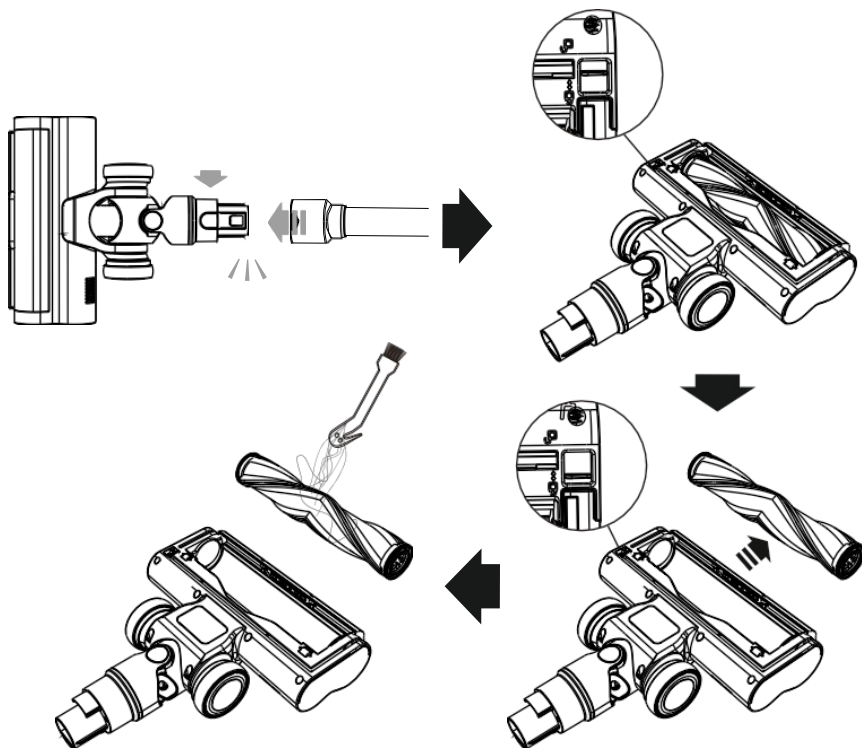
01. Push the bottom of the dust container in the direction shown in the picture, until you hear a click.



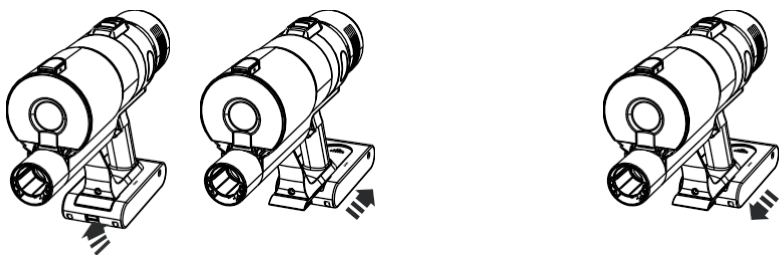
02. Rotate the HEPA to the left to remove, and to the right to install the HEPA.



■ Motorized floor brush and roller brush



■ Battery



Disassembly:
Press the battery release button, grab the battery and pull it out.

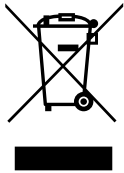
Installation:
Align the battery slot with the card slot, press the bottom to slide into the battery slot until it snaps tightly.

PROBLEM	POSSIBLE REASONS	SOLUTIONS
The vacuum can not be charged	The used adapter is not the original one.	Please charge the vacuum with the original adapter.
	The battery pack/adapter malfunctions.	Please contact the costumer service for help.
The vacuum can not be powered on	The battery runs out.	Please charge the vacuum with the original adapter.
	The battery pack is not attached correctly.	Remove and attach back the battery pack and make sure it is attached in place.
	Other malfunctions.	Please contact the costumer service for help.
The vacuum stops working suddenly	The battery runs out.	Use the original adapter for charging. It is recommended to charge the vacuum after each time use and use the low suction mode for long time.
	The floor brush gets stuck.	Clean foreign objects entangled on the floor brush.
	01. The air dust is blocked. 02. The dust cup is full.	Clean the floor brush, extension tube, dust cup and the HEPA filter regularly.
	Other malfunctions.	Please contact the costumer service for help.
The cleaning results are not good	Incorrect use of the vacuum	01. It is recommended to use high suction mode for cleaning complicated environments. 02. It is recommended to use the crevice tool for better absorption of heavy objects such as beans. 03. It is recommended to use the floor brush for cleaning stain.
	The battery runs out.	The cleaning results are not good.
	01. The air dust is blocked. 02. The dust cup is full.	Clean the floor brush, extension tube, dust cup and the HEPA filter regularly.
	The HEPA filter is not dried completely.	Detach and air dry the HEPA filter completely. It is recommended to clean and replace it regularly.
There is static during vacuum working	There is too much dust insede the dust cup.	Please empty the dust cup.
	The vacuum runs at an environment full of static.	It's normal that there may be much static in the air in winter and dry regions.
The electric floor brush stops working	The floor brush gets stuck.	Clean foreign objects entangled on the floor brush.
	Other malfunctions.	Please contact the costumer service for help.

Battery removal and disposal

This product uses a lithium-ion rechargeable and recyclable battery. When the battery no longer holds a charge, it should be removed from the vacuum and recycled. DO NOT incinerate or compost the battery. When your lithium-ion battery needs to be replaced, dispose of it or recycle it in accordance with local ordinances or regulations. In some areas, it is illegal to place spent lithium-ion batteries in the trash or in a municipal solid waste stream. Return spent battery to an authorized recycling center or to retailer for recycling. Contact your local recycling center for information on where to drop off the spent battery.

Correct disposal of the product



This marking indicates that this product should not be disposed with other household wastes throughout the EU. To prevent possible harm to the environment or human health from uncontrolled waste disposal, recycle it responsibly to promote the sustainable reuse of material resources. To return your used device, please use the return and collection systems or contact the retailer where the product was purchased. They can take this product for environmental safe recycling.

Declaration of conformity

Herewith, we state that this product, complies with the requirements of below directives:

EMC-Directive: 14/30/EU

Low voltage Directive: 14/35/EU

ErP Directive: 09/125/EC

RoHS Directive: 11/65/EU & 15/863/EU

CE Marking: 93/68/EEC

The detailed declaration of conformity can be found at

www.morris.gr.



KALLIOPI KARIDA & CO, LP
87A, 17is Noemvriou str.,
PC 55535, Pylaia, Greece
T. +30 2316 006600
www.morris.gr