

Rohnson®

INNOVATE FOR LIFE

• Rohnson BLDC motor •
5
Rohnson
• 5 YEARS MOTOR WARRANTY •



Thank you for buying a Rohnson cordless stick vacuum cleaner with digital brushless motor (BLDC)



MAMBA gold

** Scan with your phone or QR reader to find out more about your machine

CLEANING FILTERS

EN:

WARNING!!! For your product's better performance, PLEASE CLEAN THE FILTERS REGULARLY (see the section "CLEANING AND MAINTENANCE")

ΕΛ:

ΠΡΟΕΙΔΟΠΟΙΗΣΗ!!! Για τη βέλτιστη απόδοση της συσκευής σας, ΠΑΡΑΚΑΛΟΥΜΕ ΚΑΘΑΡΙΖΕΤΕ ΤΑ ΦΙΛΤΡΑ ΤΑΚΤΙΚΑ (δείτε την ενότητα "ΚΑΘΑΡΙΣΜΟΣ ΚΑΙ ΣΥΝΤΗΡΗΣΗ").

BU:

ВНИМАНИЕ!!! За по-добра работа на уреда, МОЛЯ, РЕДОВНО ПОЧИСТВАЙТЕ ФИЛТРИТЕ (вижте раздела „ПОЧИСТВАНЕ И ПОДДРЪЖКА“)

RO:

ATENȚIE!!! Pentru o performanță mai bună a produsului, CURĂȚAȚI FILTRELE ÎN MOD REGULAT (consultați secțiunea „CURĂȚARE ȘI ÎNTREȚINERE”).

CZ:

UPOZORNĚNÍ!!! Pro lepší výkon vašeho výrobku PROSÍM PRAVIDELNĚ ČISTĚTE FILTRY (viz část „ČIŠTĚNÍ A ÚDRŽBA“)

SK:

UPOZORNENIE!!! Pre lepší výkon vášho výrobku PROSÍM PRAVIDELNE ČISTITE FILTRE (vid' časť „ČISTENIE A ÚDRŽBA“)

SAFETY INSTRUCTIONS

The vacuum cleaner is specially used for household purpose, please do not use it for commercial or other purposes.

1. Please don't use the vacuum cleaner to suck detergent, kerosene, glass waste, needles, cigarette ash, moisturized dust, sewage, matches, similar articles or any liquid.
2. Please do not use the vacuum cleaner to suck cement, gypsum powder, wall paper and similar small particles, or toy, paper filler and other larger objects, which can cause vacuum cleaner clogging, motor burnout and another fault.
3. Please do not use the vacuum cleaner near fire source and other high temperature places.
4. When the vacuum cleaner is used, please pay attention to install HEPA and rolling brush properly before operating the unit.
5. When the vacuum cleaner is used, please note that the suction inlet cannot be clogged and rolling brush cannot be blocked, otherwise motor failure may be caused.
6. Please do not dump or splash water or other liquid into the machine, to avoid short-circuit and burn-out of machine.
7. When cleaning the vacuum cleaner filters, please remove and wash them with water **if recommended by the manufacturer**; when you need to use them, please install the dried filters into the vacuum cleaner. Do not use the wet filters, otherwise it may burn out the machine due to the short-circuit.
8. Please use dry cloth for cleaning vacuum cleaner, do not use gasoline, banana oil etc. otherwise shell cracking or fading will be caused. Please do not use and store the machine in extremely adverse conditions, such as extreme temperature. Use the vacuum cleaner in room temperature of 5°C~ 40°C. Please store it in a cool and dry place. Sunlight exposure for long time should be prohibited.
9. Make sure that the mains voltage matches the voltage stated on the rating label of the appliance and that the outlet is grounded.
10. Do not use the device if it has been dropped or if there are any visible signs of damage.
11. Do not try to repair the appliance by yourself. Contact our official technical support service.
12. Do not use any accessory that has not been recommended by the manufacturer, as they might cause injuries or damage.
13. Turn off and unplug the appliance from the mains supply when it is not going to be used for a long period of time, before cleaning or repairing, before attaching components and before removing the battery.
14. Never modify the charger in any way.
15. Do not use any battery that has not been provided with the original product.
16. The appliance is not intended to be used by children under the age of 12. It can be used by children over the age of 12, as long as they are given continuous supervision.
17. This appliance is not intended to be used by persons with reduced physical, sensory or mental capabilities or lack of experience or knowledge unless they have been given supervision or instruction concerning the use of the appliance in a safe way by a person responsible for their safety and understand the hazards involved.
18. Supervise young children to make sure that they do not play with the appliance. Close supervision is necessary when the appliance is being used by or near children.

BATTERY INSTRUCTIONS

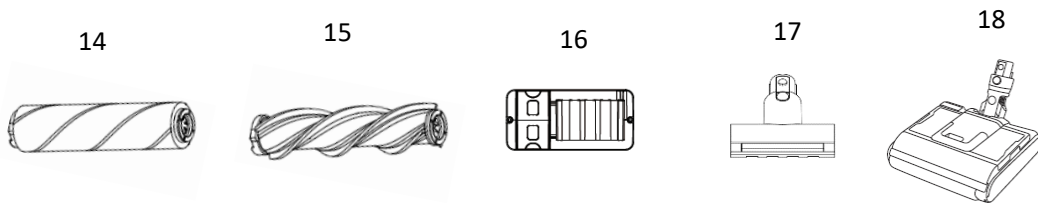
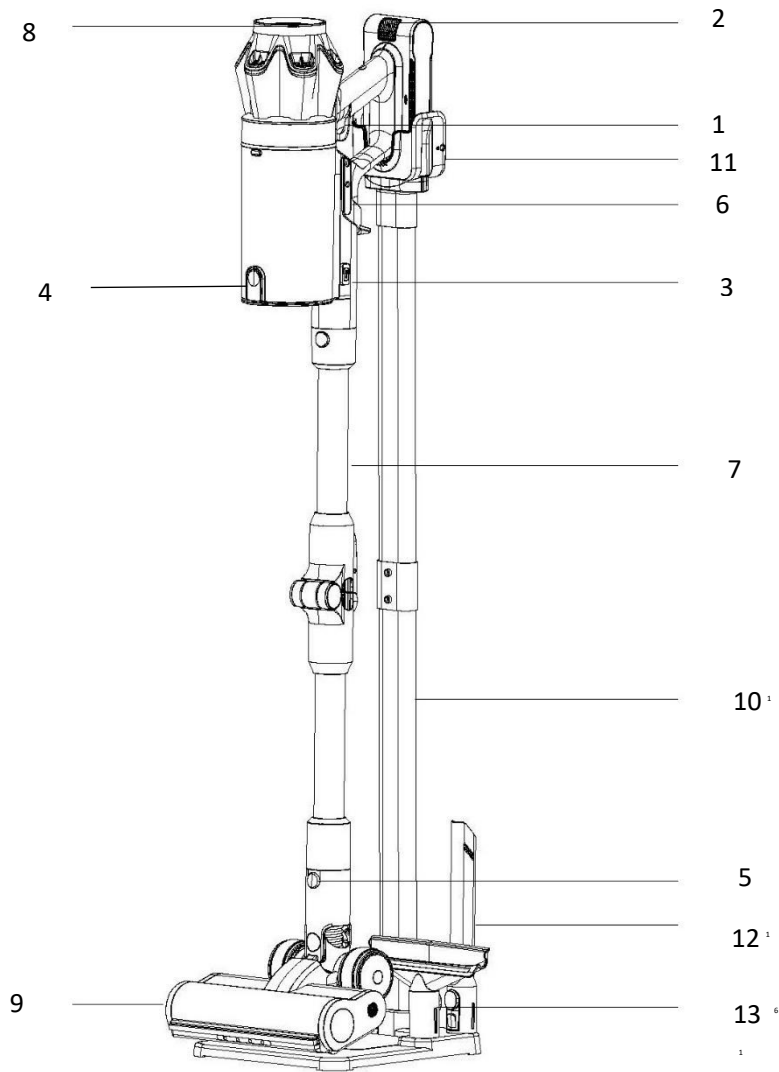
-This appliance includes Li-ion batteries, do not incinerate or expose them to high temperature, as they may explode.

-Leaks from the battery or battery cells can occur under extreme conditions. Do not touch any liquid that leaks from the battery. If the liquid gets into contact with skin, wash immediately with soap and water. If the liquid gets into the eyes, flush them immediately with clean water for a minimum of 10 minutes and seek medical attention. Wear gloves to handle the battery and dispose of immediately in accordance with local regulations.

-Avoid contact between the battery and small metallic objects such as paper clips, coins, keys, nails or screws.

-Before a new battery is used or the battery is used for the first time after long-term storage, fully charge the battery. When the device is stored and not used for long periods of time, ensure that the battery pack is fully charged and ensure that the battery is charged and discharged at least once every three months.

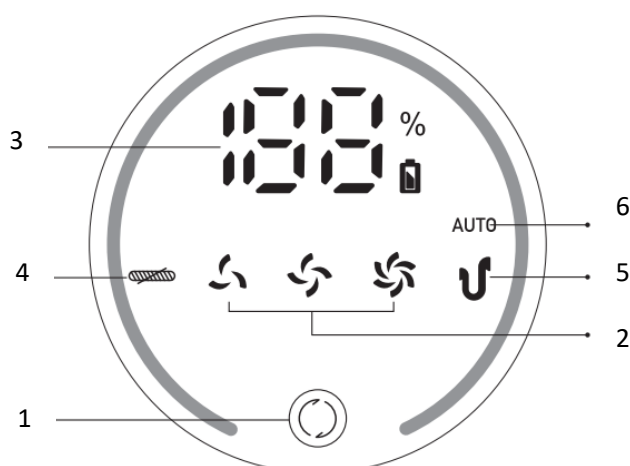
PRODUCT COMPONENTS



- | | | | |
|----|-------------------------------------|-----|-------------------------|
| 1. | Switch Button | 10. | Chargeable floor stand |
| 2. | Battery Removal Button | 11. | Chargeable bracket |
| 3. | Dust cup Release | 12. | Crevice tool with light |
| 4. | Dust Release button | 13. | Sofa accessory |
| 5. | Electric Floor Brush Removal Button | 14. | Soft roller |
| 6. | Ash Scraper Pusher | 15. | Bristle roller |
| 7. | Foldable conductive aluminum tube | 16. | Wall mount |
| 8. | Touch screen | 17. | Mini motorized brush |
| 9. | Motorized Floor Brush | 18. | Wet & Dry mop brush |

TOUCH SCREEN DESCRIPTION

- 1 Speed control button
- 2 Suction level display
- 3 Battery display
- 4 Brush blockage
- 5 Suction blocked
- 6 Auto mode



CHARGING THE BATTERY

The vacuum is powered by the built-in lithium battery. Before first use, charge the battery for at least 5 hours.

During the work of the machine, when the power display is only 10%, the power display number will flash. This is a reminder that the battery is low and should be charged in time to avoid affecting the use.

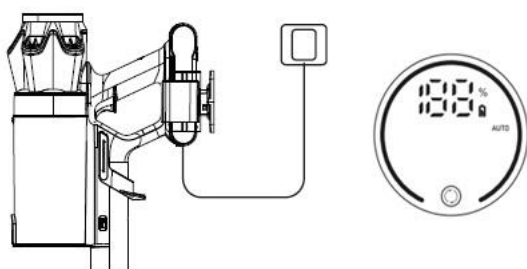
You can charge the battery in three ways - see below Method 1 & Method 2 & Method 3
The vacuum cannot work while charging.

The vacuum cannot be charged when the ambient temperature is below 10°C/50°F or above 45°C/113°F.

Charging Methods

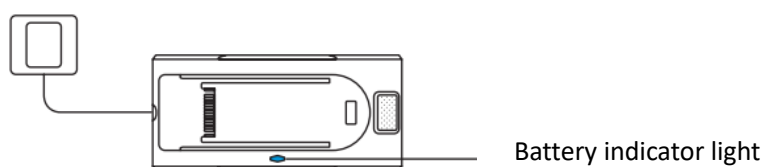
Method 1:

The product can be charged on the storage wall-mount. The digital screen will be showed the charging process, when at 100%, the battery is full.



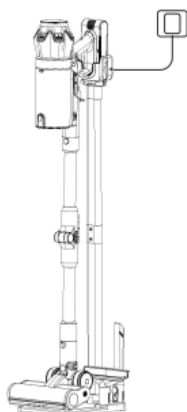
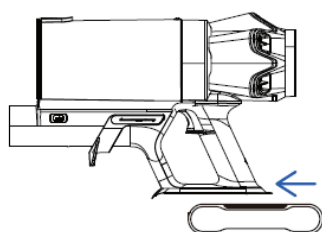
Method 2:

The battery package can be pulled out and charged separately. The battery indicator light will be flashing in green, When the battery is fully charged, the green light is always on.

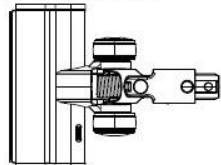


Method 3:

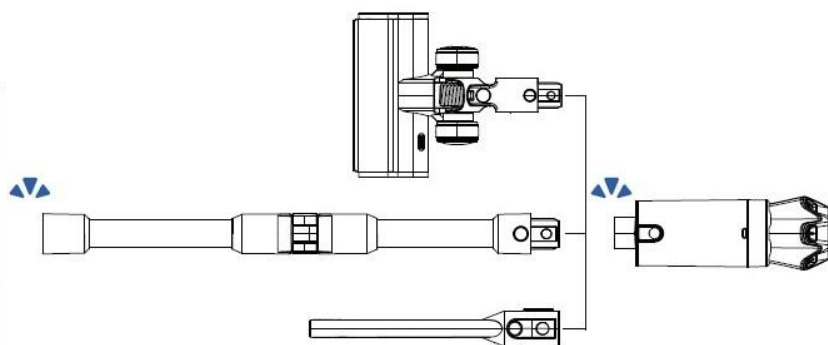
The product can be charged on the chargeable floor stand. The digital screen will be showed the charging process, when at 100%, the battery is full.

**ASSEMBLING****1. Install the battery pack****2. Install the cleaning accessory you prefer**

Normal motorized brush



Wet & Dry mop brush

**CAUTION:**

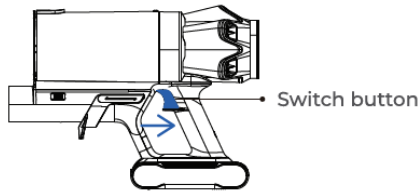
DO NOT use normal motorized brush to suck any liquid during operation.

If you want to mop and suck liquid, please use wet & dry brush.

If water enters to the dust bin during cleaning, please stop operation immediately, disassemble the filter and dustbin, and dry them completely before use.

OPERATION METHOD

1. Press the switch button, the machine will start to work. Press the button again to shut down the machine.



2. You can choose between the different suction power by touching the speed control button. The appliance starts in AUTO mode.

Touch once for Low suction level (runtime up to 90 min)

Touch twice for Middle suction level (runtime up to 45 min)

Touch three times for High suction level (runtime up to 15 min)

Touch four times to go back to AUTO mode

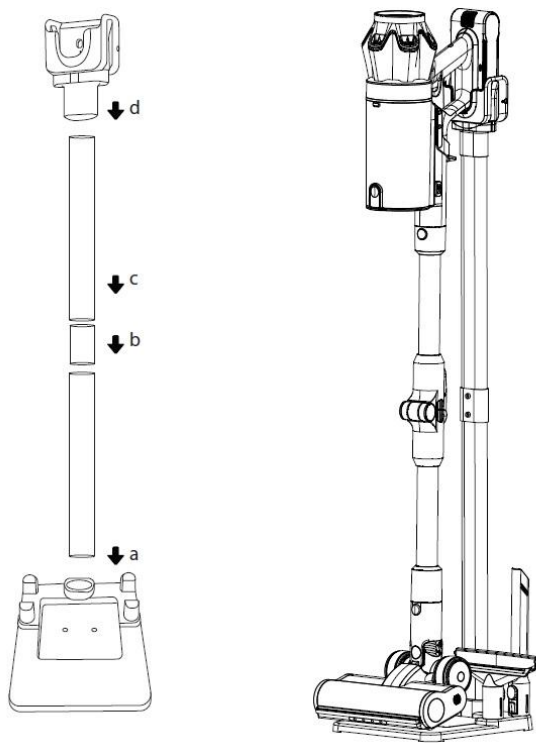
Running time with Neptune floor brush (wet&dry) up to 40 minutes



When the machine is working at any suction, press the ON/OFF button, the machine will stop working.

INSTALLATION RECHARGEABLE FLOOR STAND

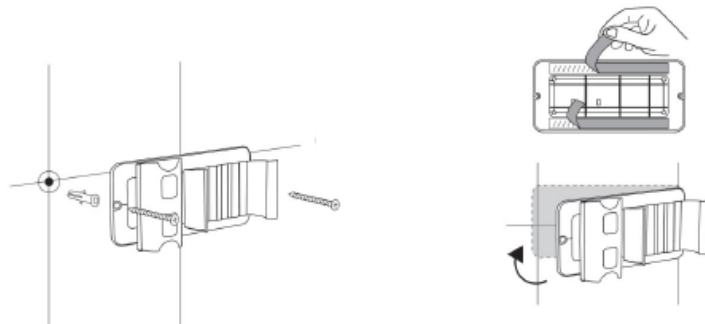
EN



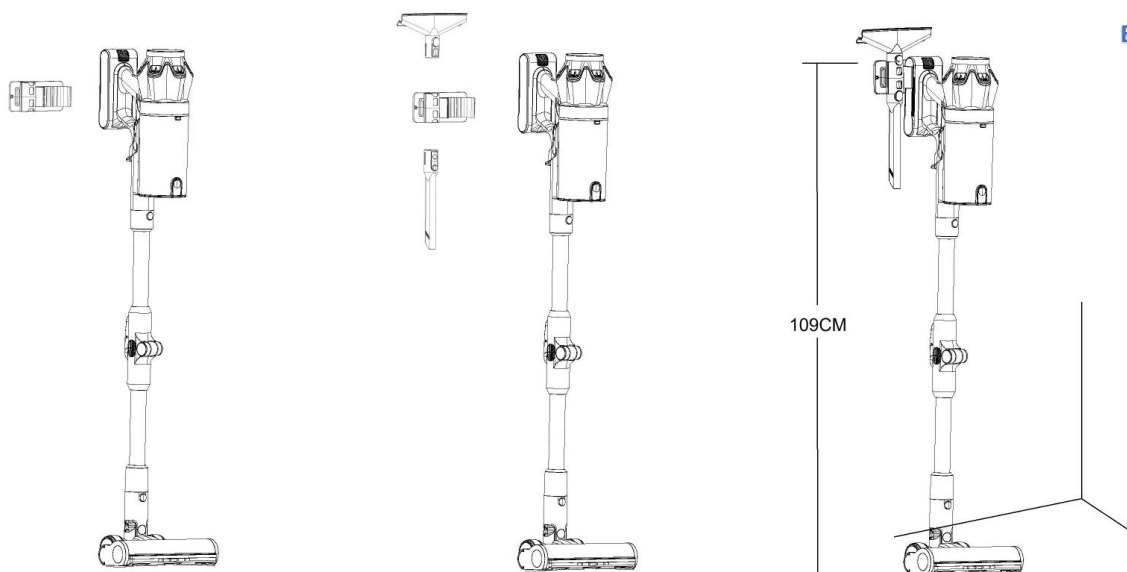
INSTALLATION WALL MOUNT

Use the 3M tape or screws to install the wall mount.

When using the screws, before drilling, make sure that there are no cables in the wall. Make sure that it is aligned correctly: the recesses in the large mount must point upwards.



Hook the hand-held appliance into the large attachment from above.



CLEANING AND MAINTANANCE

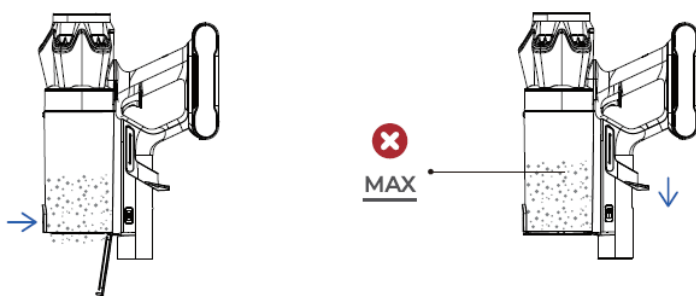
When the filters are blocked due to excessive dust, they must be cleaned and if necessary, they can also be replaced. To ensure maximum efficiency, it is suggested to clean the filters regularly, We recommend to clean the filters after every 5 uses. More frequent washing may be required where the user: vacuums fine dust, operated mainly in “max” mode or uses the machine intensively. We recommend to replace the filters at least once a year. Both cleaning and replacement depend on use. More frequent cleaning may be required when vacuuming fine dust or using the machine intensively.

Clean the dust box

Caution! Turn off the vacuum before cleaning it.

If the dust box is filled with dust, the vacuum may stop to prevent overheating.

Clean the dust box before it fills to the MAX line.



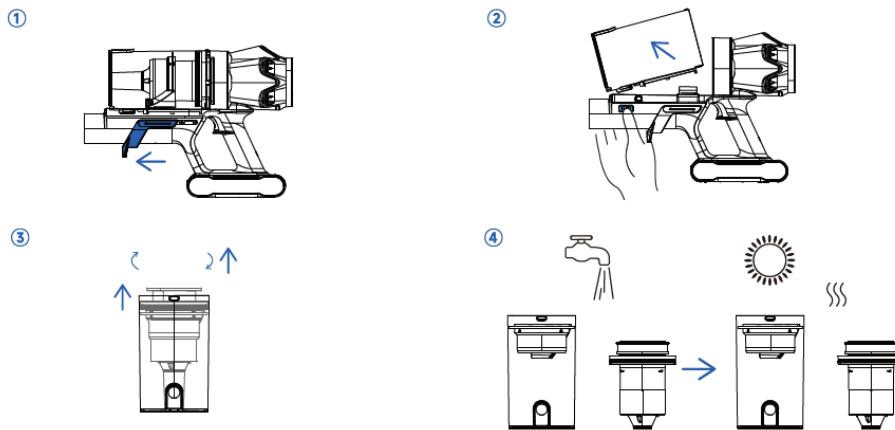
Clean the filters

1. Press the dust cup release button to release the dustcup.
2. Turn the inlet HEPA filter clockwise to release it.
3. Pull out the metal filter compartment.
4. Turn the outlet HEPA filter anti clockwise to release it.
5. Shake off debris by tapping the filters against your trash container
6. Wash the filters with cold water only, under a running tap. Repeat washing the filter until clean water runs. Do not immerse into water.

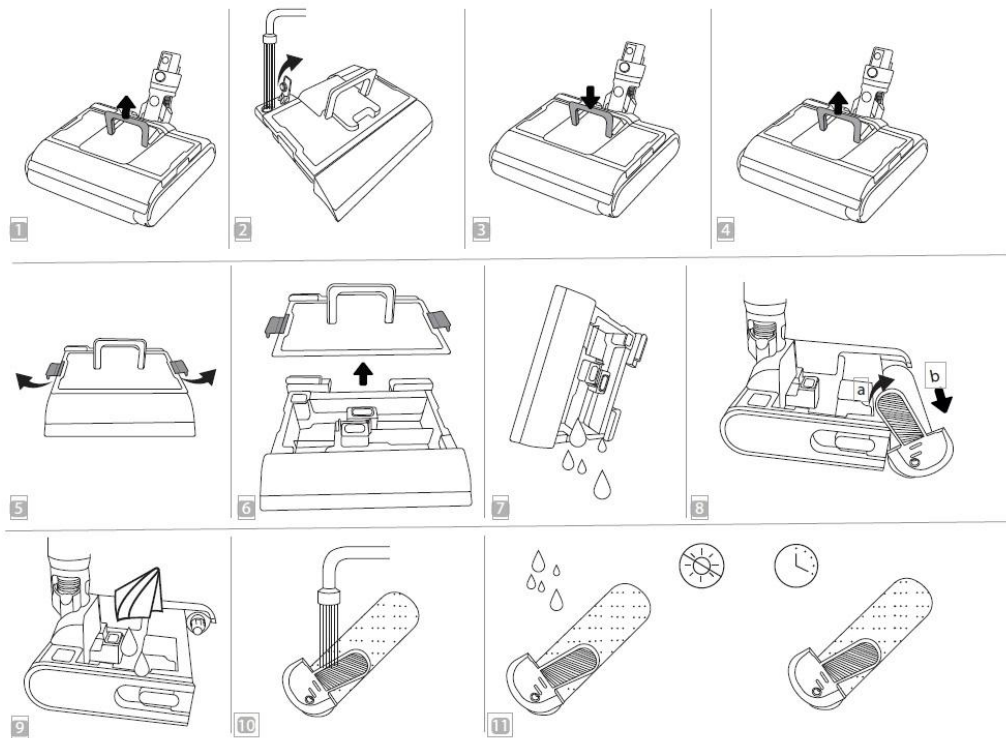
7. Tap the filter to remove any excess water and leave to dry completely. Allow the filters to dry completely in a dry area with good air circulation for at least 24 hours, away from direct sunlight, heat sources like heating appliances etc. Make sure the filters are completely dry before installing them.

CAUTION:

- Do not clean the filters in a washing machine.
- Do not use a hair dryer to dry them.
- Never use the appliance without filters.



ELECTRIC WET & DRY BRUSH INSTALLATION AND USE



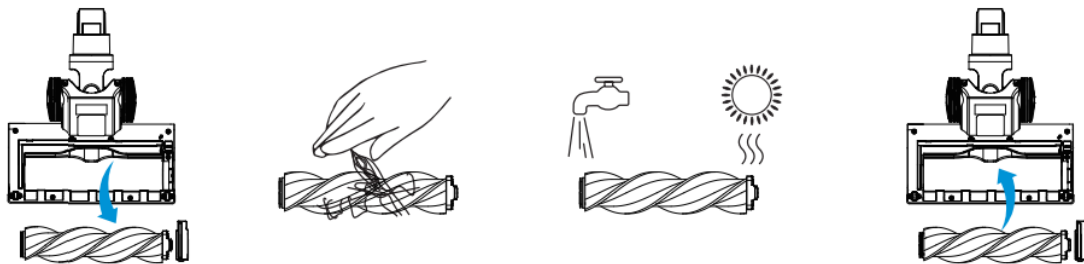
Note:

The wet & dry brush is designed to vacuum, mop and suck the liquid in the floor. We do not recommend using floor cleaner in the brush tank. Only use cool fresh water.

Do not store water in the wet & dry brush, or leave a used wet brush roller attached to the accessory. The tank should be emptied after each use, and the brush roller removed, washed and allowed to fully dry before using once more.




Clean the motorized floor brush

1. Turn off the vacuum, press the floor brush release button to remove the floor brush from the metal tube.
2. Press the rolling brush release button to release the rolling brush locking strip.
3. Take out the rolling brush locking strip and lift the rolling brush to remove.
4. Clean the rolling brush using scissors or other tools, rinse and then air-dry the rolling brush.
5. Reinstall the rolling brush by inserting the fixed protruding end first, then clicking into place.
6. Push the rolling brush locking strip in until you hear a click.



TROUBLESHOOTING

Switch off the appliance and disconnect the mains plug before addressing any faults!
Failure to do so may result in injury or electric shock.

Problem	Possible causes	Solution
Appliance is not working	Battery is empty	Charge the battery
	Filters are dirty	Clean the filters, replace the HEPA filter if necessary
	Brush roller is blocked	Clean the brush roller and remove debris such as hair and fibres if necessary.
Battery will not charge	Appliance or charging station is not correctly connected to a power socket	Connect the mains adaptor correctly to a functioning power socket
	Contact with charging station has not been established	Hang the hand-held appliance correctly in the charging station
Suction power decreases	Suction opening on the container is blocked	Clean the suction opening on the hand-held appliance and check the suction tube for any dirt.
	Dust container is full	Empty the dust container
	Filters are dirty	Clean the filters, replace the HEPA filter if necessary
	Brush roller is blocked	Clean the brush roller and remove debris such as hair and fibres if necessary.
Vacuum is not picking up debris. No suction or light suction.	Dust box may be full	empty the dust box.
	Check for blockages	Clear crevice tool nozzle and floor brush from blockages; remove any string, hair etc that may be wrapped around the rolling brush Clear connection between the main unit and metal tube from blockages Clear any debris from metal tube
	Check filters to see if they need cleaning.	Follow instructions for rinsing and completely air-drying the filters before reassembling.
Vacuum turns off on its own.	Battery is low	Check the battery indicator lights and recharge if needed.
	Check for blockages	Empty the dust box and clean the filters. Check the metal tube, accessories and openings and remove any blockages.
	Machine is overheated	Allow the main unit of the vacuum to cool for at least for 4 minutes and restart the vacuum
Filter cannot be inserted correctly	Filter not fitting properly in slot	Check filter and fitting are correct
	Brush roller not inserted correctly/blocked or Flashes red	Check that the brush roller is correctly fitted and remove any string, carpet fibers or hair that may be wrapped around the rolling brush
Red flashing battery 	Battery level is under 10%	Charge the battery as soon as possible.
	Suction blocked or flashes red 6 times	Check the brush rollers, suction tube and suction opening for dirt/blockages

TECHNICAL SPECIFICATIONS:**MODEL: Rohson mamba gold M29****BATTERY: Li-Ion 25,2V 4000mAh, 7 battery cells****POWER: 815W****DIGITAL MOTOR (BLDC motor)****IMPORTANT INFORMATION FOR CORRECT DISPOSAL OF THE PRODUCT IN ACCORDANCE WITH EC DIRECTIVE 2002/96/EC.**

At the end of its working life, the product must not be disposed of as urban waste. It must be taken to a special local authority differentiated waste collection center or to a dealer providing this service.

Disposing of a household appliance separately avoids possible negative consequences for the environment and health, deriving from inappropriate disposal and enables the constituent materials to be recovered to obtain significant savings in energy and resources. As a reminder of the need to dispose of household appliances separately, the product is marked with a crossed-out wheeled dustbin.