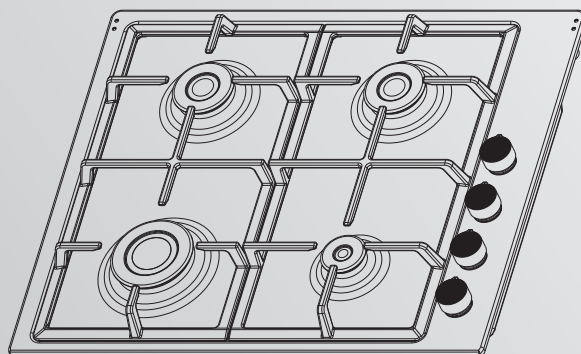


CANDY

HOBS USER INSTRUCTIONS

GB 02



- CHG6L
- CHW6L

SAFETY INSTRUCTIONS

We recommend you keep the instructions for installation and use for later reference, and before installing the hob, note its serial number in case you need to get help from the after sales service.

WARNING: the appliance and its accessible parts become hot during use. Care should be taken to avoid touching heating elements. Children under 8 years of age must be kept away from the appliance unless they are continuously supervised.

WARNING: use only hob guards designed by the Manufacturer of the cooking appliance or indicated by the Manufacturer of the appliance in the instructions for use as suitable or hob guards incorporated in the appliance. The use of inappropriate guards can cause accidents.

WARNING: unattended cooking on a hob with fat or oil can be dangerous and may result in fire. NEVER try to extinguish a fire with water, but switch off the appliance and then cover flame e.g. with a lid or a fire blanket.

WARNING: danger of fire: do not store items on the cooking surfaces.

WARNING: if the surface is cracked, do not touch the glass and switch off the appliance to avoid the possibility of electric shock.

This appliance can be used by children aged from 8 years and above and people with reduced physical, sensory or mental capabilities or lack of experience and knowledge if they have been given supervision or instruction concerning use of the appliance in a safe way and understand the hazards involved. Children should be supervised to ensure that they do not play with the appliance. Cleaning and user maintenance shall not be made by children without supervision.

CAUTION: the cooking process must be supervised. A short term cooking process has to be supervised continuously.

It is strongly recommended to keep children away from the cooking zones while they are in operation or when they are switched off, so long as the residual heat indicator is on, in order to prevent the risks of serious burns.

This appliance is not intended to be operated by means of an external timer or separate remote control system.

If present do not to stare into halogen lamp hob elements.

Connect a plug to the supply cable that is able to bear the voltage, current and load indicated on the tag and having the earth contact. The socket must be suitable for the load indicated on the tag and must be having the earth contact connected and in operation. The earth conductor is yellow-green in color. This operation should be carried out by a suitably qualified professional. In case of

incompatibility between the socket and the appliance plug, ask a qualified electrician to substitute the socket with another suitable type. The plug and the socket must be conformed to the current norms of the installation country. Connection to the power source can also be made by placing an omnipolar breaker between the appliance and the power source that can bear the maximum connected load and that is in line with current legislation.

The yellow-green earth cable should not be interrupted by the breaker. The socket or omnipolar breaker used for the connection should be easily accessible when the appliance is installed.

The disconnection may be achieved by having the plug accessible or by incorporating a switch in the fixed wiring in accordance with the wiring rules.

If the supply cord is damaged, it must be replaced by Manufacturer, its service agent or similarly qualified people in order to avoid a hazard. The earth conductor (yellow-green) must be longer than 10 mm on the terminal block side. The internal conductors section should be appropriate to the power absorbed by the hob (indicated on the tag). The type of power cable must be HO5V2V2-F.

Do not put metallic objects such as knives, forks, spoons or lids on the hob. They could heat up.

Aluminum foil and plastic pans must not be placed on heating zones.

After every use, some cleaning of the hob is necessary to prevent the build-up of dirt and grease. If left, this is recooked when the hob is used and burns giving off smoke and unpleasant smells, not to mention the risks of fire propagation.

Never use a steam or high pressure spray to clean the appliance.

Do not touch the heat zones during operation or for a while after use.

Never cook food directly on the glass ceramic hob.

Always use the appropriate cookware. Always place the pan in the center of the unit that you are cooking on.

Do not place anything on control panel.

Do not use the hob as a working surface.

Do not use the surface as a cutting board.

Do not store heavy items above the hob. If they drop onto the hob, they may cause damage.

Do not use the hob for storage of any items.

Do not slide cookware across the hob.

No additional operation/setting is required in order to operate the appliance at the rated frequencies

1. INSTRUCTIONS FOR THE INSTALLER

INSTALLING A DOMESTIC APPLIANCE CAN BE A COMPLICATED OPERATION WHICH IF NOT CARRIED OUT CORRECTLY, CAN SERIOUSLY AFFECT CONSUMER SAFETY. IT IS FOR THIS REASON THAT THE TASK SHOULD BE UNDERTAKEN BY A PROFESSIONALLY QUALIFIED PERSON WHO WILL CARRY IT OUT IN ACCORDANCE WITH THE TECHNICAL REGULATIONS IN FORCE. IN THE EVENT THAT THIS ADVICE IS IGNORED AND THE INSTALLATION IS CARRIED OUT BY AN UNQUALIFIED PERSON, THE MANUFACTURER DECLINES ALL RESPONSIBILITY FOR ANY TECHNICAL FAILURE OF THE PRODUCT WHETHER OR NOT IT RESULTS IN DAMAGE TO GOODS OR INJURY TO INDIVIDUALS.

1.1 BUILDING IN

The hob may be installed in any worktop which is heat resistant to a temperature of 100°C, and has a thickness of 25-45 mm. The dimensions of the insert to be cut out of the worktop are in shown in *Figure 2*.

When there is an accessible space between the built-in hob and the cavity below, a dividing wall made of insulating material should be inserted (wood or a similar material) (*Figure 3*).

If the hob is fitted next to a cabinet on either side, the distance between the hob and the cabinet must be at least 15 cm; while the distance between the cut out and the rear wall must be at least 7 cm.

The distance between the hob and any other unit or appliance above it (e.g. An extractor hood) must be no less than 70 cm (*Figure 4*).

Metal objects in the drawer may reach high temperatures due to air recirculation. It is therefore recommended to use an intermediate wood panel.

Important - The diagram in figure 1 shows how the sealant should be applied.

The Hob unit is fitted by attaching the Fixing Clamps supplied, using the holes at the base of the unit.

If a hob of 60 cm is fitted above an oven which is not equipped with fan cooling system it is recommended that openings are created within the built in furniture to ensure correct air circulation.

The size of these openings must be at least 300 cm² and placed as shown in *Figure 5*.

1.2. SUITABLE LOCATION

This appliance must be installed in accordance with the regulations in force and only used in a well ventilated space. Read the instructions before installing or using this appliance.

A gas-powered cooking appliance produces heat and humidity in the area in which it is installed. For this reason you should ensure good ventilation either by keeping all natural air passages open or by installing an extractor hood with an exhaust flue. Intensive and prolonged use of the appliance may require extra ventilation, such as the opening of a window or an increase in speed of the electric fan, if you have one.

If a hood can not be installed, an electric fan should be fitted to an outside wall or window to ensure that there is adequate ventilation.

The electric fan should be able to carry out a complete change of air in the kitchen 3-5 times every hour. The installer should follow the relevant national standards.

2. ELECTRICAL CONNECTION (FOR U.K. ONLY)

Warning - this appliance must be earthed

This appliance is designed for domestic use only. Connection to the main supply must be made by a competent electrician, ensuring that all current regulations concerning such installations are observed.

The appliance must only be connected to a suitably rated spur point, a 3 pin 13 amp plug/socket is not suitable. A double pole switch must be provided and the circuit must have appropriate fuse protection. Further details of the power requirement of the individual product will be found in the users' instruction and on the appliance rating plate. In the case of built-in product you are advised, should you wish to use a longer cable than the one supplied, that a suitably rated heat resistant type must be used.

The wiring must be connected to the mains supply as follows:

| CONNECT | TO SPUR TERMINAL |
|---------------------|--------------------|
| Green & Yellow Wire | Earth Connection |
| Blue Wire | Neutral Connection |
| Brown Wire | Live Connection |

Note: We do not advocate the use of earth leakage devices with electric cooking appliances installed to spur points because of the «nuisance tripping» which may occur. You are again reminded that the appliance must be correctly earthed, the manufacturer declines any responsibility for any event occurring as a result of incorrect electrical installation.

2.1. ELECTRICAL CONNECTION

Check the data on the rating plate, located on the outside of the unit, to ensure that the supply and input voltage are suitable.

Before connection, check the earthing system.

By Law, this appliance must be earthed. If this regulation is not complied with, the Manufacturer will not be responsible for any damage caused to persons or property. If a plug is not already attached, fit a plug appropriate to the load indicated on the rating plate. The earth wire is coloured yellow/green. The plug should always be accessible.

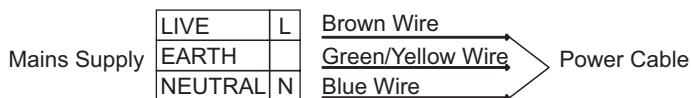
Where the Hob is connected direct to the electricity supply, a circuit breaker must be fitted.

If the power supply cord is damaged this is to be replaced by a qualified engineer so as to prevent any potential risk.

The earth wire (green and yellow coloured) must be at least 10 mm longer than the live and neutral wires.

The section of the cable used must be of the correct size in relation to the absorbed power of the hob.

Please check rating plate for the power details and ensure that the power supply cord is of the type 3x0.75 mm² H05 V2V2-F.



If an appliance is not fitted with a supply cord and a plug, or with other means for disconnection from the supply mains having a contact separation in all poles that provide full disconnection under overvoltage category III conditions, the instructions shall state that means for disconnection must be incorporated in the fixed wiring in accordance with the wiring rules.

2.2. GAS CONNECTION

These instructions are for qualified personnel, installation of equipment must be in line with the relevant national standard. **(For U.K. only: by law the gas installation/commissioning must be carried out by a "Gas Safe" installer)**

All work must be carried out with the electricity supply disconnected.

The rating plate on the hob shows the type of gas with which it is designed to be used. Connection to the mains gas supply or gas cylinder should be carried out after having checked that it is regulated for the type of gas with which it will be supplied. If it is not correctly regulated see the instructions in the following paragraphs to change gas setting.

For liquid gas (cylinder gas) use pressure regulators which comply with the relevant national standards.

Use only pipes, washers and sealing washers which comply with the relevant national standards.

For some models a conic link is furnished to outfit for the installation in the countries where this type of link is obligatory; in picture 8 it is pointed out how to recognize the different types of links (CY = cylindrical, CO = conic). In every case the cylindrical part of the link has to be connected to the hob.

When connecting the hob to the gas supply via use of flexible hoses please ensure that the maximum distance covered by the hose does not exceed 2 metres.

The flexible tube shall be fitted in such a way that it cannot come into contact with a moveable part of the housing unit (e.g. a drawer) and does not pass through any space where it may become crushed/ kinked or damaged in any way.

To prevent any potential damage to the hob please carry out the installation following this sequence (picture 6):

1)As illustrated, assemble parts in sequence:

A: 1/2 Male Adaptor Cylindrical

B: 1/2 Seal

C: 1/2 Female Gas Adaptor Conical-Cylindrical or Cylindrical-Cylindrical

2) Tighten the joints with the spanner, remembering to twist the pipes into position.

3) Attach fitting C to mains gas supply using rigid copper pipe or flexible steel pipe.

IMPORTANT: carry out a final check for leaks on the pipe connections using a soapy solution. NEVER USE A FLAME. Also, make sure that the flexible pipe cannot come into contact with a moving part of the cabinet (eg. adrawer) and that it is not situated where it could be damaged.

Warning: If gas can be smelt in the vicinity of this appliance turn off the gas supply to the appliance and call the engineer directly. Do not search for a leak with a naked flame.

2.3. ADAPTING THE HOB TO DIFFERENT TYPES OF GAS

To adapt the Hob for use with different types of gas, carry out the following instructions:

- Remove the grids and burners
- Insert on hexagonal spanner (7 mm) into the burner support (Figure 7)
- Unscrew the injector and replace it with one suitable for the gas to be used (see gas type table)

2.4. REGULATING THE MINIMUM FLAME

After lighting the burners, turn the control knob to the minimum setting and then remove the knob (this can easily be removed by applying gentle pressure).

Using a small «Terminal» type screwdriver the regulating screw can be adjusted as in Figure 9. Turning the screw clockwise reduces the gas flow, whilst turning it anticlockwise increases the flow – Use this adjustment to obtain a flame of approximately 3 to 4 mm in length and then replace the control knob.

When the gas supply available is LPG - the screw to set the idle flame must be turned (clockwise) to the end stop.

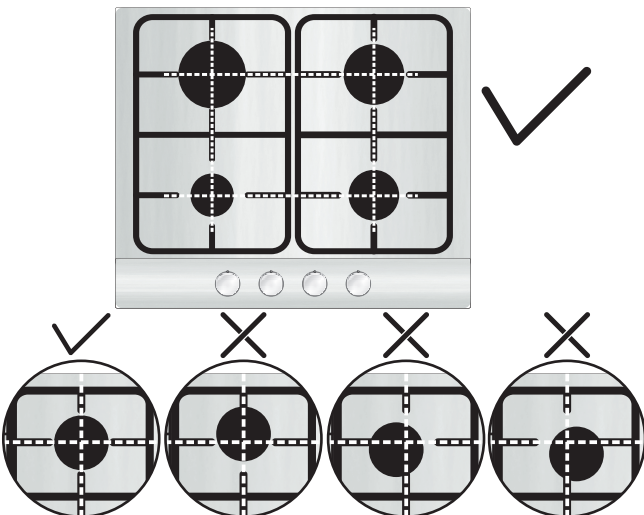
When you have carried out the new gas regulation, replace the old gas rating plate on your appliance with one (supplied with hob) suitable for the type of gas for which it has been regulated.

3. USE OF HOB - USER INSTRUCTIONS

This appliance must only be used for the purpose for which it is intended, domestic cooking, and any other use will be considered improper and could therefore be dangerous. The Manufacturer will not be responsible for any damage or loss resulting from improper use.

Before using burner, be sure, grid perimeters center the burner as below figure.

If you are using Cast Iron Grids; underneath the grid, position of it is stated. Be sure for the exact grid is used in correct position.



3.1. USING THE GAS BURNER

To ignite the burners, place a lighted taper close to the burner, press in and turn the control knob anti-clockwise.

If the burners have not been used for a couple of days, wait for a few seconds before lighting the burner, this will allow any air present in the pipes to escape.

For appliances fitted with electronic ignition carry out the following:

- Push in and turn the knob anticlockwise to the ignition symbol.
 - Ignite the burner by pressing the sparker button.
- For hobs fitted with automatic ignition simply push in and turn the knob to the ignition symbol.

The ignition system will continue to generate sparks as long as the control knob is being pressed.

If the burner has not ignited within 5 seconds, turn the knob to the 0 position and repeat the operation.

For models fitted with a safety tap (which cuts-off the flow of gas if the flame is accidentally extinguished) the burners are ignited and described above, but care must be taken.

Prior to switching on the gas hob ensure that the burners and burner caps are correctly placed within their position.

Warning: If there is no electricity on appliance, to ignite the burner a lighter should be used;

- Push in and turn the knob anti-clockwise to the ignition symbol,
- While pushing in the button ignite the burner by using a lighter and keep button pushed in 5 seconds after ignition.

GENERAL ADVICE

For best results, use cooking vessels with a flat surface. The size of the surface should match the gas burner side as follows. Table A.

| Burner Type | Ø pan/pot (cm) | Power (kW) | G20/20 mbar (methane) | G30/28-30 mbar (LPG) |
|---------------|----------------|------------|-----------------------|----------------------|
| AUX Auxiliary | 10 - 18 | 1,00 | 95 l/h | 73 g/h |
| SR Semi Rapid | 12 - 22 | 1,75 | 167 l/h | 127 g/h |
| R Rapid | 16 - 26 | 2,70 | 257 l/h | 196 g/h |

Table A

For smaller containers the gas burner should be regulated so that the flame does not overlap the base of the pan. Vessels with a concave or convex base should not be used.

WARNING: If a flame is accidentally extinguished, turn the knob to the off position and do not attempt to re-ignite if for at least 1 minute.

If over the years the gas taps become stiff to turn it is necessary to lubricate them.

Such operation must be carried out only by qualified Service Engineers.

4. MAINTENANCE AND CLEANING

Before cleaning the hob, ensure the appliance has cooled down. Remove the plug from the socket or (if connected directly) switch off the electricity supply.

Cleaning and user maintenance shall not be made by children without supervision

Never use abrasives, corrosive detergents, bleaching agents or acids. Avoid any acid or alkaline substances (lemon, juice, vinegar etc.) on the enamelled, varnished or stainless steel sections.

When cleaning the enamelled, varnished or chrome sections, use warm soapy water or a non caustic detergent. For stainless steel use an appropriate cleaning solution.

The burners can be cleaned with soapy water. To restore their original shine, use a household stainless steel cleaner. After cleaning, dry the burners and replace.

It is important the Burners are replaced correctly.

Chromed grids and burners

Chromed grids and burners have a tendency to discolour with use. This does not jeopardize the functionality of the hob.

Our After Sales Service Centre can provide spare parts if required.

5. AFTERCARE

Before calling out a Service Engineer please check the following:

- that the plug is correctly inserted and fused;
- that the gas supply is not faulty.

If the fault cannot be detected:

Switch off the appliance and call the After Service Centre. **DO NOT TAMPER WITH THE APPLIANCE.**

Declaration of compliance: This equipment, in the parts intended to come into contact with food, complies with the regulations laid down in EEC directives 89/109.

The Manufacturer will not be responsible for any inaccuracy resulting from printing or transcript errors contained in this brochure. We reserve the right to carry out modifications to products as required, including the interests of consumption, without prejudice to the characteristics relating to safety or function.

6. PROTECTION OF THE ENVIRONMENT



This appliance is marked according to the European directive 2012/19/EU on Waste Electrical and Electronic Equipment (WEEE). WEEE contains both polluting substances (which can cause negative consequences for the environment) and basic components (which can be re-used). It is important to have WEEE subjected to specific treatments, in order to remove and dispose properly all pollutants, and

recover and recycle all materials.

Individuals can play an important role in ensuring that WEEE does not become an environmental issue; it is essential to follow some basic rules:

- WEEE shall not be treated as household waste.
- WEEE shall be handed over to the relevant collection points managed by the municipality or by registered companies. In many countries, for large WEEE, home collection could be present.
- When you buy a new appliance, the old one may be returned to the retailer who has to collect it free of charge on a one-to-one basis, as long as the equipment is of equivalent type and has the same functions as the supplied equipment.

Table 1

| | |
|------------------------|---------------------|
| Burner Plate | 4 Gas |
| Burner | Aux/2SR/R |
| Type | UH60ML |
| FFD | YES |
| Aux 1kW | 1 |
| Sr 1,75 kW | 2 |
| R 2,7 kW | 1 |
| Nominal Heat Input | 7,2 kW |
| G20/20 mbar | 686 l/h |
| G30/28-30 mbar | 524 g/h |
| Installation Class | 3 |
| Voltage V/Frequency Hz | 220-240 V/ 50/60 Hz |
| Electrical Input Power | 1 |
| Electric Ignition | YES |
| Product Dimension | 595x510 |

This appliance has been designed for non-professional, i.e. domestic, use.

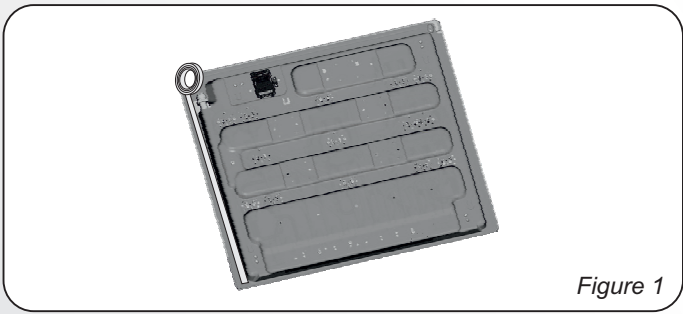


Figure 1

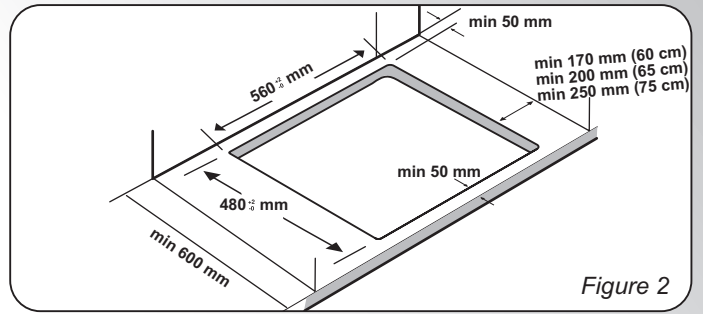


Figure 2

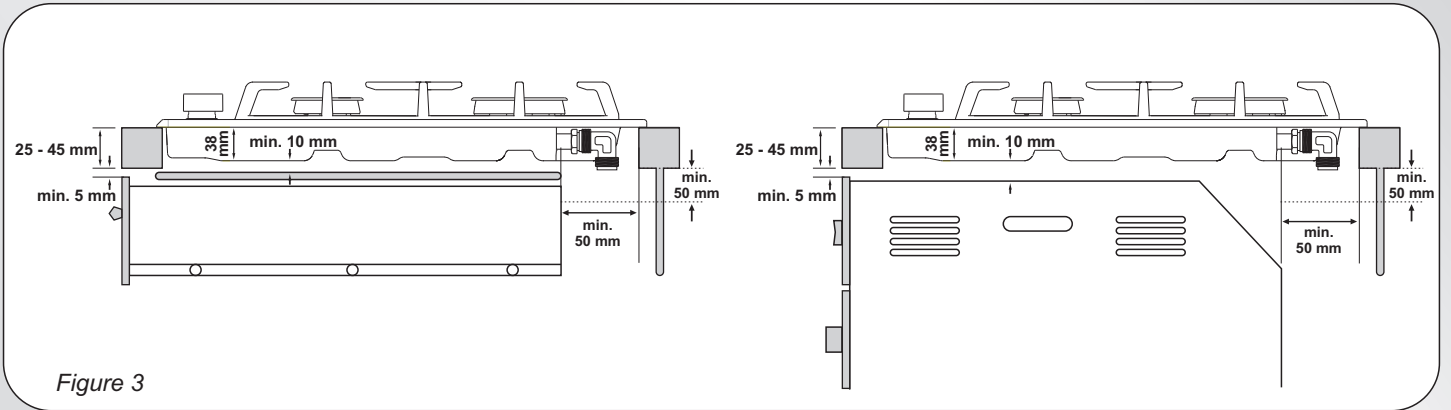


Figure 3

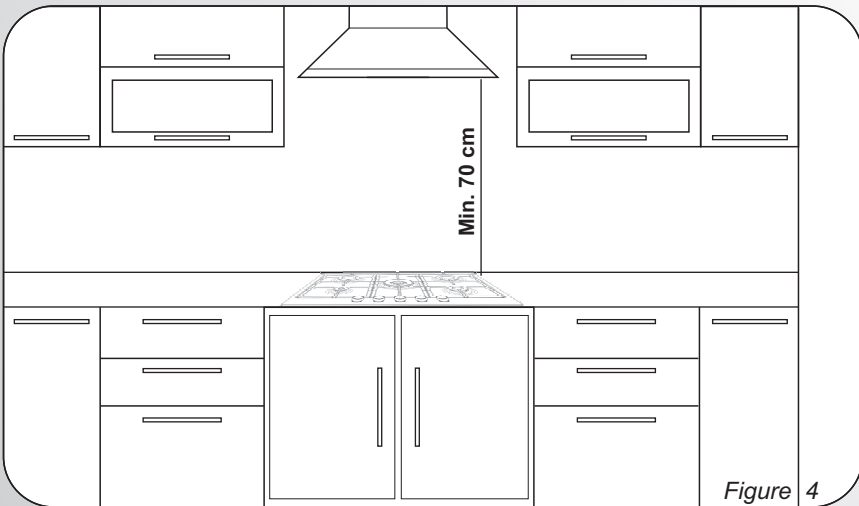


Figure 4

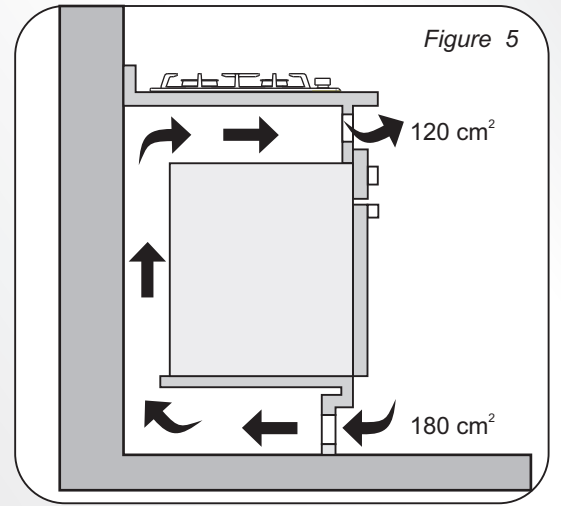


Figure 5

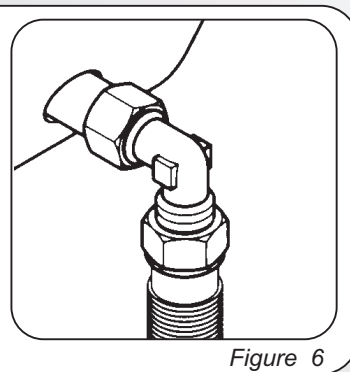
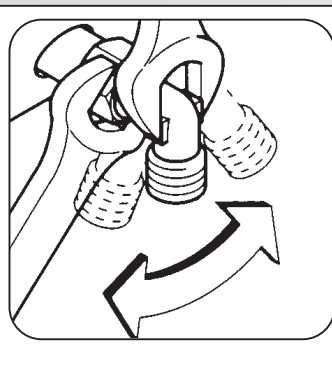
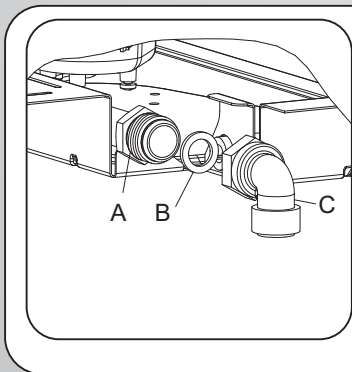


Figure 6

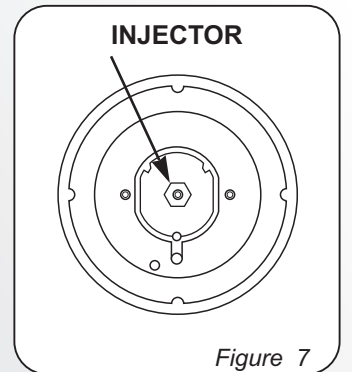


Figure 7

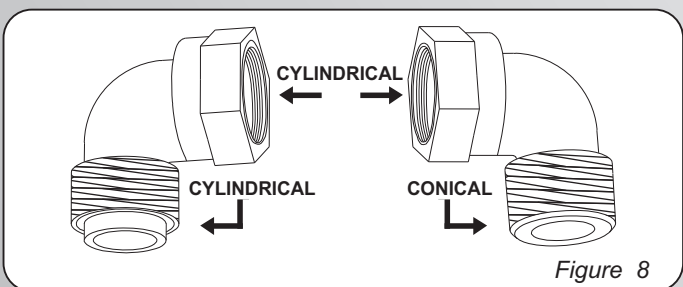


Figure 8

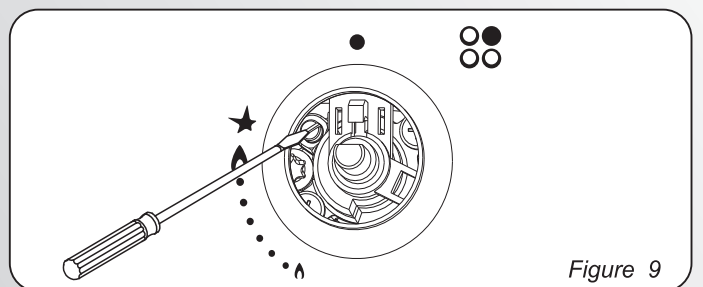
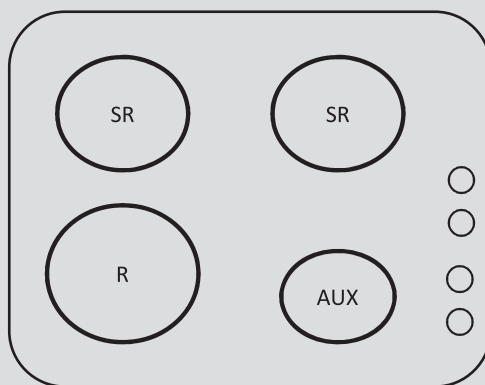



Figure 9



HOBS GAS TYPE

|  | Gas Type | | G20 | G20 | G25.1 | G25.3 | G30 | G30 | G30 |
|--|--------------|----------|------------------------|-------------------------|-------------------------|--------------------------|-----------------------|-----------------------|------------------------|
| | Gas Pressure | | 20 mbar | 25 mbar | 25 mbar | 25 mbar | 29 mbar | 37 mbar | 50 mbar |
| Burners | Max (kW) | Min (kW) | Injector NG | Injector NG | Injector NG | Injector NG | Injector LPG | Injector LPG | Injector LPG |
| | | | Max - Min | Max - Min | Max - Min | Max - Min | Max - Min | Max - Min | Max - Min |
| Aux | 1 | 0,3 | 72X (1Kw-0,3Kw) | 70X (1Kw-0,3Kw) | 74F1 (1Kw-0,3Kw) | 72F1 (1Kw-0,3Kw) | 50 (1Kw-0,3Kw) | 46 (1Kw-0,34Kw) | 43H2 (1Kw-0,39Kw) |
| Sr | 1,75 | 0,44 | 97Z (1.75Kw-0.44Kw) | 91Z (1.75Kw-0.44Kw) | 98Y (1.75Kw-0.44Kw) | 102F3 (1.75Kw-0.44Kw) | 65 (1.75Kw-0.44Kw) | 61 (1.75Kw-0.51Kw) | 58M (1.75Kw-0.58Kw) |
| R | 2,7 | 0,75 | 109Y (2.7Kw-0.75Kw) | 110F3 (2.7Kw-0.75Kw) | 125F3 (2.7Kw-0.75Kw) | 120F3 (2.7Kw-0.75Kw) | 80 (2.7Kw-0.75Kw) | 78 (2.7Kw-0.83Kw) | 73S (2.7Kw-0.96Kw) |

| Gas Categories | II2E+3+ | II2H3+ | II2H3B/P |
|----------------|----------------------|-----------------------------------|--|
| | G20/G25-20/25 mbar | G20 20 mbar | G20 20 mbar |
| | G30/31 28-30/37 mbar | G30 28-30mbar | G30/31 30/30 mbar |
| | | G31 37 mbar | |
| Countries | BE,FR | CY,CZ,GB,GR,IE,IT,PT,SI, ES,TR,CH | BG, HR,DK,EE,FI,LV,LT,NO,RO,SK,SE,CZ,SI,TR |

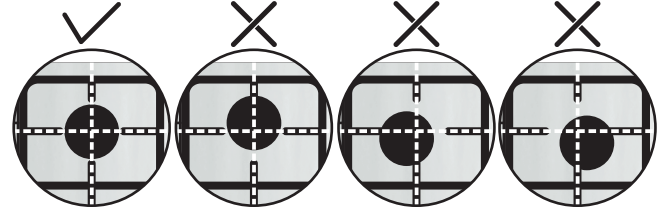
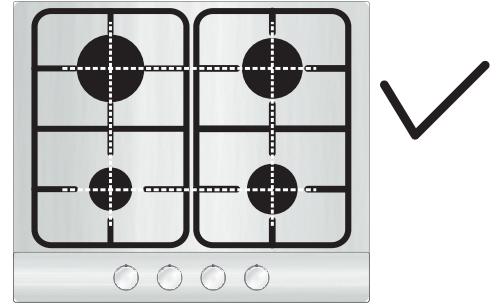
| Gas Categories | II2H3B/P | II2EK3B/P | II2HS3B/P | II2E3B/P | II2E3B/P |
|----------------|-------------------|-------------------|-------------------|-------------------|----------------|
| | G20 20 mbar | G20 20 mbar | G20 25mbar | G20 20 mbar | G20 20 mbar |
| | G30/31 50/50 mbar | G25.3 25 mbar | G25.1 25 mbar | G30/31 37/37 mbar | G30/31 50 mbar |
| | | G30/31 30/30 mbar | G30/31 30/30 mbar | | |
| Countries | AT,CH | NL | HU | PL | DE |

| | |
|---------------------------|---|
| 4 غازات | المواقد |
| Aux/2SR/R | |
| UH60ML | نموذج |
| نعم | سلامة الحراريه للغاز |
| 1 | موقد مساعد Aux 1kW |
| 2 | الموقد الشبه السريع Sr 1,75 kW |
| 1 | موقد سريع R 2,7 kW |
| 7,2 كيلو واط | القوة الكلية |
| 686 لتر / س | الغاز الطبيعي: الميثان (G20 / 20 mbar) |
| 524 غ / ساعة | البيوتان / البروبان (G 30 / 28-30 mbar) |
| 3 | فئة التركيب |
| هرتز 50-60 / فولت 220-240 | الجهد / التردد الخامس / هرتز |
| 1 | قوة كهربائية |
| نعم | الإشعال الإلكتروني المتكامل |
| 595x510 | أبعاد الجهاز (WxD) مم |

تم تصميم هذا الجهاز للاستخدام غير الاحترافي ، للاستخدام المنزلي فقط

3. استخدام الجدول

يجب استخدام هذا الجهاز للأغراض المخصصة له فقط: الطهي المنزلي. أي استخدام آخر سيعتبر مسيئراً وقد يكون خطراً. المصنع لا يتحمل مسؤولية عن أي ضرر أو خسارة تنشأ من سوء الاستخدام. التأكد من أن الشبكة في الوسط كما يشير المثال في الأسفل يجب



1.3. استخدام موقد الغاز

بالقرب من الموقد، اضغط)... ولاعة، إشعال النار، مشعلة (لإشعال الموقد، ضع لهباً على مفتاح مقبض التحكم إذا لم يتوأسد تخدام الموقد لبضعة أيام، انتظر بضع ثوانٍ قبل إشعال الموقد، مما يسمح لأي هواء في الأنابيب بالخروج). بالنسبة للأجهزة المزودة بالإشعال الإلكتروني، قم بإجراء العمليات التالية: ادفع مفتاح التحكم وتحويله إلى رمز الإشعال. قم بإشعال الموقد بالضغط على زر الإشعال بالنسبة لأجهزة الطهي المجهزة بإشعال إلكتروني متكامل، قم ببساطة بدفع الزر الموجود على رمز الإشعال وقم بتشغيله. سيستمر نظام الإشعال في إنتاج الشرر طالما يتم تشغيل صمام الغاز. إذا لم يشعل الموقد في غضون 5 ثوانٍ، فقم بإدارة المفتاح إلى الوضع 0 وكرر العملية بالنسبة لنماذج المجهزة بصمام الأمان الحرارية (الذي يقطع تدفق الغاز إذا تم تشغيله ولكن يجب توخي الحذر للحفاظ، بطريق الخطأ لهب إيقاف)، يشتعل الموقد الذي تم ذكره سابقاً على أسفل عصا التحكم لمدة 5 أو 6 ثوانٍ بعد إشعال الشعلة. تحذير: قبل إشعال جدول الغاز، تأكد من وضع الشعلات وقبعات الموقد بشكل صحيح. نصيحة للتحقق من وصول على أفضل النتائج، يجب أن يتطابق حجم القدر ذات القاع المسطح مع حجم الشعلات كما يلي

| نوع الموقد | قدر (صم) Ø | القوة الكلية (G20 / 20 mbar) الغاز الطبيعي: الميثان | 95 ل/س | 73 غ/س |
|--------------------|------------|---|---------|---------|
| AUX الموقد مساعدة | 10 - 18 | 1,00 | 95 ل/س | 73 غ/س |
| SR الموقد شبه سريع | 12 - 22 | 1,75 | 167 ل/س | 127 غ/س |
| R الموقد السريع | 16 - 26 | 2,70 | 257 ل/س | 196 غ/س |

Table A

بالنسبة للأقمار / المقالي الصغيرة، يجب ضبط موقد الغاز بحيث لا يتداخل اللهب مع قعر القدر. لا يجب استخدام الأوعية المقعرة أو المجوفة تنبيه: إذا تم إطفاء الموقد عن طريق الخطأ، فقم بإدارة المقبض إلى الوضع المغلق ولا تحاول إعادة التشغيل لمدة دقيقة على الأقل. إذا أصبحت الصمامات الغازية مع مرور الوقت قاسية، فمن الضروري تشحيمها. يجب أن يتم تنفيذ هذه العملية فقط من قبل فني معتمد.

4. الخدمة والصيانة

قبل تنظيف الموقد، تأكد من أن هذا الجهاز بارد. قم بإزالة القابس من المخرج أو (إذا كان متصلاً مباشرة)، فقم بإيقاف إمداد الطاقة. رقابة لا ينبغي أن يتم التنظيف والصيانة من قبل الأطفال بدون. لا تستخدم أبداً المنظفات الكاشطة أو المنظفات المسببة للتآكل أو المبيضات أو الأحماض. تجنب المواد الحمضية أو القلوية (الليمون، العصير، الخل، الخ...) على الغلاف أو الفولاذ. عند تنظيف الغلاف أو الصبغ أو الأجزاء من معدن الكروم، استخدم الماء الساخن استخدم محلول التنظيف، والصابون أو المنظفات غير التآكل. بالنسبة للفولاذ الذي لا يصدأ المناسب. يمكن تنظيف الموقد بالماء والصابون. لاستعادة بريقتها الأصلي، استخدم المنظف المنزلي للفولاذ المقاوم للصدأ. بعد التنظيف، جفف الموقد وأعدّها إلى مكانها من المهم أن يتم إعادة الموقد إلى مكانها بشكل صحيح شواية من الكروم وموقد إلى التعطيم عند الاستخدام. هذه ظاهرة طبيعية ولا مفر منها تميل الشوابة من الكروم والموقد ولكنها لا تؤثر على وظيفة هذا الموقد، إذا لزم الأمر، تتوفر قطع الغيار في مركز خدمات ما بعد البيع لدينا

5. المساعدة الفنية

المساعدة الفنية 5. قبل الاتصال بخدمة المساعدة الفنية، تحقق مما يلي: تم إدخال القابس بشكل صحيح؛ إمدادات الغاز ليست معيبة. إذا تعذر تحديد الفشل: أوقف تشغيل الجهاز (لا تستخدمه) واتصل بخدمة المساعدة الفنية

6. حماية المحيط

بالنفايات المتعلقة EU / يسمى هذا الجهاز وفقاً للتوجيه 2012/19 الكهربائية والإلكترونية (ن ك إ) يحرم توري مخلفات المعدات الكهربائية والإلكترونية على كل من المواد الملوثة (التي يمكن أن يكون لها عواقب بيئية سلبية) والعناصر الأساسية (قابلة لإعادة الاستخدام). من المهم أن تقدم (ن ك إ) لعلاجات محددة من أجل انتزاع والتخلص بشكل سليم من جميع الملوثات، ثم استعادة وإعادة تدوير جميع المواد. يمكن للجميع لعب دور مهم في حماية البيئة ضد (ن ك إ) لتحقيق هذا الهدف، من الضروري اتباع بعض القواعد الأساسية يجب ألا يتم التعامل مع مخلفات المعدات الكهربائية والإلكترونية كمخلفات منزلية يجب إعادةتها إلى نقاط التجميع المناسبة التي تديرها البلدية أو الشركات المسجلة في العديد من البلدان، من الممكن جمع نفايات الأجهزة الكهربائية والإلكترونية الضخمة في المنزل. عندما تشترى جهازاً جديداً، يجب عليك إعادة الجهاز القديم إلى البائع الذي يسترده مجاناً على أساس كل حالة على حدة، بشرط أن يكون الجهاز من نوع مكافئ وله نفس الوظائف التي تهدف إلى الاحتكاك مع الغذاء، يتوافق مع إعلان المطابقة: هذه المعدات، في أجزاء يتوافق الجهاز مع التوجيهات EEC 89/109 للمعايير المنصوص عليها في توجيهات كما يتم تعديله، EC / و EC 2009/142 / و EC 2004/108 / الأوروبية 2006/95 من وقت لآخر. الشركة المصنعة لا تتحمل أي مسؤولية عن أي عدم دقة بسبب أخطاء الطباعة أو النسخ الواردة في هذا الدليل. تحتفظ الشركة المصنعة بالحق في تعديل المنتجات إذا لزم الأمر، حتى في مصلحة الاستخدام، دون التسبب في أي ضرر للخصائص التشغيلية والحماية لهذا الجهاز



إن تشييد الأجهزة المنزلية في بيئتها هي عملية حساسة، إذا لم يتم تنفيذها بشكل صحيح، يمكن أن يكون لها عواقب وخيمة على سلامة المستهلكين. في هذه الظروف، لا بد من إسناد هذه المهمة إلى محترف يقوم بتنفيذها وفقاً للمعايير الفنية المعمول بها. إذا وُجد على الرغم من هذه التوصية، قام المستهلك بتنفيذ التثبيت بنفسه، فإن المصنع لا تتحمل أي مسؤولية في حالة حدوث عطل فني للجهاز ينتج عنه أو لا يلحق الضرر بالممتلكات أو الأشخاص.

2.2 الربط

يجب تثبيت الجهاز وربطه وفقاً للقواعد المعمول بها في بلد التثبيت. انتبه يجب إيلاء اهتمام خاص للقواعد المطبقة بالنظر إلى التهوية

يجب أن تتم جميع أعمال التركيب مع فصل الكهرباء. تشير اللوحة الوصفية على اللوحة إلى نوع الغاز الذي يجب استخدامه. يجب أن يتم التوصيل بشبكة تزويد الغاز للأسطوانة بعد التحقق من تعديلها لنوع الغاز الذي سيتم توزيعه به. إذا لم يتم تعديله بشكل صحيح، راجع التعليمات الواردة في الفقرات التالية لتغيير إعدادات الغاز بالنسبة للغاز المسائل (قارورة الغاز)، استخدم منظمات الضغط التي تتوافق مع المعايير المعمول بها.

لا تستخدم سوى الخراطيم والغسالات وخراطيم الغلق التي تتوافق مع المعايير المعمول بها بالنسبة لبعض الموديلات، يتم توفير رابط مخرومي لتثبيت الجهاز، في البلدان التي يشار إلى كيفية التعرف على أنواع، 8 يكون فيها هذا النوع من الارتباط إلزامياً؛ في الرسم في جميع الحالات، يجب أن يكون (مخرومي = CO، أسطواني = CY) الروابط المختلفة جزئياً من الربط متصلاً بالجدول

عند توصيل موقد لطهي بالغاز عن طريق استخدام الخراطيم، يرجى التأكد من أن المسافة القصوى التي يغطيها الخرطوم لا تتجاوز 2 متر

يجب تركيب الأسنوب المرن بطريقة لا تتلامس مع جز متحرك من المطبخ (مثل الدرج) ولا يمر في مساحة يمكن ازديادها

6. لتجنب حدوث تلف محتمل للموقد، يرجى إجراء التثبيت كما هو موضح في الرسم: كما هو موضح في الرسم، قم بتجميع الأجزاء بالترتيب 1

ذكر أسطواني محول ب: 1/2 إغلاق 1/2؛ أ:

مهائيل الغاز انثي مخرومي أسطواني أو أسطواني - أسطواني: 1/2 ج:

على وضع الأنابيب في الموضع أحرض، تشديد المفصلات عن طريق مفتاح شد 2

لشبكة إمدادات الغاز باستخدام أنابيب جامدة أو الفولاذ المرن C تشديد الحبل (3)

ونصاوبو محلدا ماستخوذب لأنيب اكيبا في تودجولمر ب انهائي للتتص فحرا بءا بءة: ماه تستخدم اللهب. تأكد أيضاً من أن الخرطوم لا يمكن أن يتلامس مع جز متحرك من وحدة لا

المطبخ (مثل الدرج) وأنه ليس في مكان حيث يمكن أن يتلف

تحذير: إذا شتمت راحة الغاز من الجهاز، فقم بإيقاف تشغيل إمدادات الغاز على الفور واتصل بشخص مؤهل مباشرة. لا تبحث عن تسرب باستخدام اللهب

3.2 التكيف مع الجدول لأنواع مختلفة من الغاز

• لتكييف الموقد مع أنواع مختلفة من الغازات، يرجى تنفيذ التعليمات التالية

• إزالة الشبكات والقبعات والهيئات الموقد

• (7) أدخل مفتاح ربط أنبوب (7 مم) في حامل الشعلة (الرسم

• قسم بتقسيم الحد واقتواستبدالها بواحد أو أكثر من الحاقنات التي تم تكييفها للغاز المستخدم

• انظر نوع الغاز الموصى به على الطاولة (الرسم)

• ثبت الحواقي الداخلي

• ضبط حلقة الهوا

• استبدال الهيئات الموقد، غطا الموقد وشبكات

4.2 تنظيم اللهب بالحد الأدنى

بعد إشعال الموقد، قم بإدارة مقبض التحكم إلى الحد الأدنى من الإعداد، ثم أخرج مقبض التحكم (الذي يمكن إزالته بسهولة عن طريق تطبيق الضغط الخفيف)

بأسخدام مخداف مك البراغي نوع "المحطة الطرفية" صغيرة، يمكن تعديل برغي تعديل (انظر الرسم 9). يؤدي تدوير البرغي في اتجاه عقارب الساعة إلى تقليل تدفق الشعلة، بينما يؤدي تدويرها في الاتجاه المعاكس إلى زيادتها. استخدم هذا الإعداد للحصول على شعلة بطول

يتراوح من 3 إلى 4 مم، ثم استبدل مقبض التحكم

لبرغي يروجب تد، (ز القارورة غا) نباولبرن / البوتانا وح لمتاز الغاد امن إن عندما يكو

لساعة حتى يتوقف اتجاه عقارب الساعة في اللهب لضبط

عند الانتهاء من ضبط نظام الغاز، استبدل اللوحة القديمة للجهاز بجهاز مناسب لنوع

الغاز الذي تم تركيبه (المزود بموقد)

1.1 التثبيت في الحائط

أيضا غلاف الأثاث التي الطاولة و يجب أن يكون الأثاث أو الحامل الذي ستثبت عليه ولسمك بين) درجة مئوية 100 إلى حدود(بجانبها، من مادة مقاومة لدرجة الحرارة العالية سم 45 و 25.

يتم تحديد مقاييس التثبيت في الشكل 2

إذا تم تثبيت الطاولة بين قطعتين أثاث مطبخ، يجب أن تكون المسافة بين الطاولة والأثاث إذا كان الموقد مثبتاً بجانب خزنة على أي من الجانبين، فيجب أن تكون المسافة بين الموقد والخزنة 10 سم على الأقل؛ بينما يجب أن تكون المسافة بين الفتحة والجار الخلفي 7 (4) الرسم (سم 70 سم على الأقل. فوقها) (على سبيل المثال المدخنة) على الأقل إذا كان الجزء السفلي من الصندوق، حسب تركيب الطاولة، قريباً من منطقة يمكن الوصول إليها عادة أثناء التحريك / أو الترتيب، فضع حاجزاً (خشبياً أو ما شابهه) لتجنب أي مخاطر حريق أو تدهور (الشكل 3)

تحذير: أثناء التركيب، يجب توخي الحذر عند المفصل المحيط بحافة الطاولة لمنع أي تسرب في أثاث التحميل (الرسم 1)

عند وضع المفصل في الجزء الخلفي، احذر من حجب الممرات الهوائية اللازمة للاحتراق تم تجهيز صندوق الطاولة تحت 4 أماكن متاحة لاستقبال المشابك لتثبيت الطاولة على

ل مقارنة بالأثاثة بالكامل مسدود تكون طاولة العمل بعة بحير لت التثبيت اضع مشاب الأثاث

إذا تم تركيب طاولة بعرض 60 سم فوق فرن غير مجهز بتهوية عرضية، فمن المستحسن إنشاء فتحات في المطبخ لتدوير الهواء

على الأقل ويتم وضعه كما هو موضح في 2 يجب أن يكون حجم هذه الفتحات 300 سم 5 الرسم

إذا تم تركيب طاولة بعرض 70 سم فوق الفرن، فيجب تزويد الفرن بتهوية عرضية

2.1 الخصائص المطلوبة

يجب تثبيت هذا الجهاز وفقاً للوائح المعمول بها ويجب استخدامه فقط في مساحة جيدة هذا الجهاز التهوية. اقرأ التعليمات قبل تثبيت أو استخدام

قد يتطلب الاس تخدام المكثف والمطول للجهاز المزيد من التهوية، مثل فتح نافذة أو قوة إذا كانت مجهزة VMC شطف أكثر قوة من

على حائط في الخارج أو VMC إذا لم يكن من الممكن تركيب المدخنة، فيجب تثبيت على النافذة

قادرة على إحداث تغيير كامل في هو المطبخ من 3 إلى 5 مرات VMC يجب أن تكون وفقاً للقواعد المعمول بها في بلد التثبيت VMC في الساعة. يجب أن يقوم المثبت بتثبيت

1.2 الربط الكهربائي

يجب أن يتوافق التثبيت الذي يستقبل الجهاز المشار إليه مع المعيار المعمول به في بلد التثبيت. المصنع لا يتحمل أي مسؤولية في حالة عدم احترام هذه التعليمات

تحقق من البيانات الموجودة على لوحة التصنيف، الموجودة خارج الوحدة، لضمان تناسب الطاقة والجهد

قبل التوصيل، تحقق من نظام التأريض. تنبيه: تحقق من استمرارية تركيب الأرض المسؤولية لأي حادث أو عواقبه المحتملة التي قد تنشأ مع قبل الاتصال. لا يمكن أن تتحمل استخدام جهاز غير مرتبط بالأرض، أو متصل بأرض تكون استمراريته معيبة

على للتيار من قبل، فقم بتثبيت قابس مناسب للشحن المحدد إذا لم يتم توفير قابس لوحة التصنيف

يجب أن يكون القابس متاخماً دائماً. السلك الأرضي أصفر / أخضر عندما يكون الموقد متصلاً مباشرة بمصدر الكهرباء، يجب تركيب قاطع الدائرة الكهربائية

في حالة تلف سلك الطاقة، يجب استبداله من قبل فني مؤهل لتجنب المخاطر المحتملة

يجب أن يكون السلك الأرضي (اللون الأخضر والأصفر) أطول من 10 ملم على الأقل من الأسلاك الحية والمحيدة

من الحجم الصحيح مقارنة بالقوة استهلاك الموقد يجب أن يكون اختيار السلك الذي سيعمل

يرجى التحقق من اللوحة للحصول على تفاصيل الطاقة والتأكد من أن سلك التيار H05RR F3 0.75 mm² x الكهربياني من صنف

| | | |
|-------|---|---------------|
| مرحلة | L | سلك البني |
| أرض | | سلك أخضر/أصفر |
| محايد | N | سلك أزرق |

سلك كهربائي للإمداد بالطاقة

يجب دمج نظام الفصل في جهاز القياس وفقاً للقواعد التوصيل

- تحذير: يصبح الجهاز وأجزاء المتاحة ساخنة أثناء الاستخدام. يجب توخي الحذر لتجنب لمس عناصر الساخنة.
- يجب إبقاء الأطفال دون سن 8 سنوات على بعد ما لم يتم الإشراف عليهم باستمرار.
- هذا الجهاز غير مخصص للاستخدام من قبل الأشخاص (بما في ذلك الأطفال) الذين يعانون من ضعف في قدراتهم البدنية أو الحسية أو العقلية ، أو الذين لديهم نقص في الخبرة والمعرفة ، ما لم يتم تدريبهم على استخدام الجهاز ، من قبل شخص مسؤول عن سلامتهم.
- لا يجب أن يلعب الأطفال بالجهاز.
- يجب ألا يتم تنظيف وصيانة الجهاز من قبل الأطفال دون رقابة.
- تنبيه: إن الطهي بالشحوم أو بالزيوت الغير المراقب على موقد الطهي قد يكون خطيراً ويمكن أن يؤدي إلى نشوب حريق.
- لا تحاول أبداً إطفاء الحرائق بالماء ، ولكن قم بإيقاف تشغيل الجهاز ، ثم قم بتغطية اللهب ، على سبيل المثال بغطاء أو بطانة حريق.
- تحذير: خطر الحريق: لا تقم بتخزين الأشياء على سطح الطهي.
- تنبيه: إذا كان السطح متصدعاً، فقم بإيقاف تشغيل الجهاز لتجنب خطر حدوث صدمة كهربائية.
- لا تستخدم منظفات البخار للتنظيف.
- يجب إزالة جميع السوائل من الغطاء قبل الفتح.
- يوصى بترك طاولة الطبخ حتى تبرد قبل إغلاق الغطاء.
- الجهاز غير مخصص للاستخدام مع جهاز ضبط الوقت الخارجي أو نظام تحكم عن بعد.
- يجب دمج نظام الفصل مع جهاز القياس وفقاً لقواعد التوصيل.
- تنفيذ التعليمات بنوع السلك الذي يجب استخدامه مع الأخذ بعين الاعتبار درجة حرارة السطح الخلفي للوحدة.
- في حالة تلف سلك الطاقة ، يجب استبداله بسلك خاص متاح عند المنتج أو عند محطات المساعدة المعتمدة.
- تنبيه: لتجنب الخطر الناجم عن إعادة التعيين العرضي ، يجب ألا يتم تشغيل هذا الجهاز عن طريق أداة تحويل خارجي ، مثل جهاز ضبط الوقت الخارجي ، أو أداة متصلة بدائرة يتم تشغيلها أو إيقافها بشكل متواصل بواسطة الأداة المساعدة.
- يجب تثبيت هذا الجهاز وفقاً للوائح الحالية ويستخدم فقط في فضاء مهوء اقرأ التعليمات قبل تثبيت هذا الجهاز أو استخدامه.
- هذه التعليمات صالحة فقط إذا ظهر رمز البلد على الجهاز. إذا لم يظهر الرمز على الجهاز ، من الضروري الرجوع إلى الدليل الفني الذي سيوفر الإرشادات اللازمة بشأن تعديل الجهاز وفقاً لشروط استخدام البلد.
- قبل التثبيت ، تأكد من توافق شروط التوزيع المحلية (طبيعة الغاز والضغط) مع إعداد الجهاز.
- إن ظروف إعداد هذا الجهاز مشار إليها على الملصق (أو بيانات اللوحة) ؛
- هذا الجهاز غير متصل بجهاز تنفيس مواد غازية ، يجب تثبيته وتوصيله وفقاً لقواعد التركيب الحالية ، يجب إيلاء اهتمام خاص لمتطلبات التهوية.
- تعتمد نتائج جدول الغاز في إنتاج الحرارة على الرطوبة الغرفة التي تم تركيبها فيها. تأكد من أن المطبخ مهوء جداً. اترك فتحات التهوية الطبيعية مفتوحة أو قم بتركيب جهاز تهوية ميكانيكية. (مدخنة شفط ميكانيكية) قد يتطلب الاستخدام المكثف للجهاز استخدام تهوية إضافية ، مثل فتح نافذة ، أو للأكثر فعالية يرجى استخدام تهوية ميكانيكية ، على سبيل المثال عن طريق رفع مستوى التهوية الميكانيكية الحالي
- لا يلزم إجراء تشغيل/ضبط إضافي لتشغيل الجهاز بالترددات المقننة

CANDY

لوحة الطبخ

AE 02



42831433 • A4 • 02.2021 • Rev_D

GB - IE

The manufacturer will not be responsible for any inaccuracy resulting from printing or transcript errors contained in this brochure. We reserve the right to carry out modifications to products as required, including the interests of consumption, without prejudice to the characteristics relating to safety or function.

AE

لن تتحمل الشركة المصنعة أية مسؤولية عن أي خطأ أو عدم دقة ينجم عن أخطاء مطبعية أو كتابية واردة في هذه النشرة. ونحتفظ بالحق في تنفيذ أية تعديلات على المنتجات حسب الطلب، بما في ذلك فوائد الاستهلاك بدون المساس بالخصائص المتعلقة بالسلامة أو الوظيفة.