

# DEWALT®



[www.DEWALT.com](http://www.DEWALT.com)

**DWV901L**



Fig. A

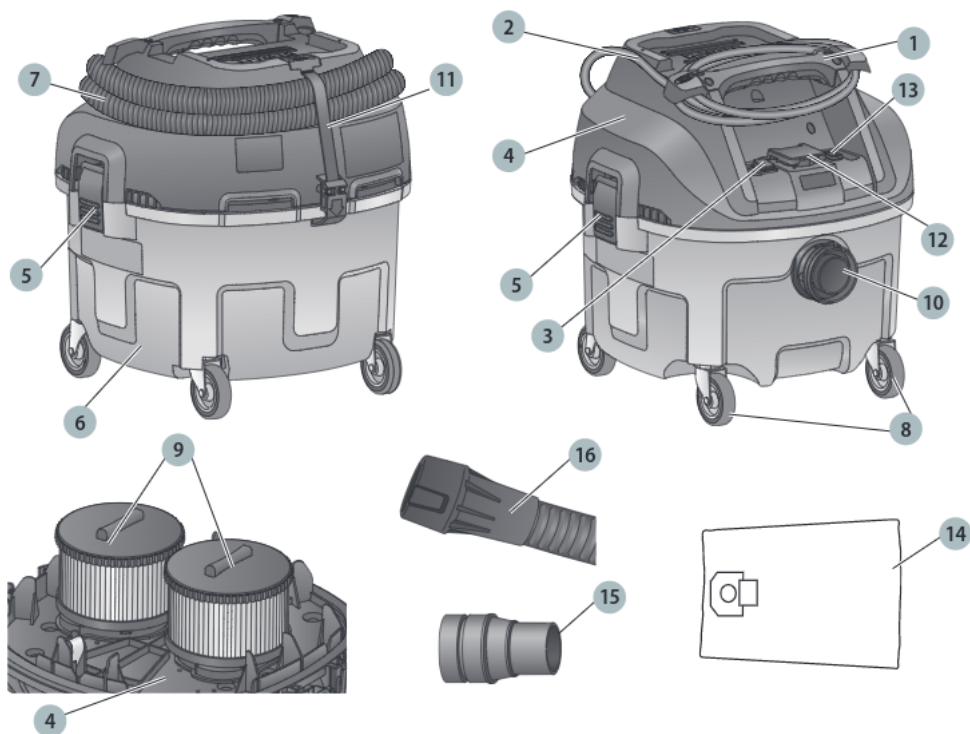


Fig. B

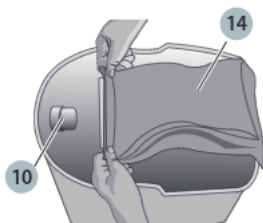


Fig. C

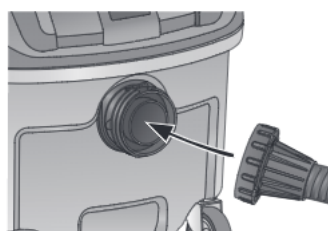


Fig. D

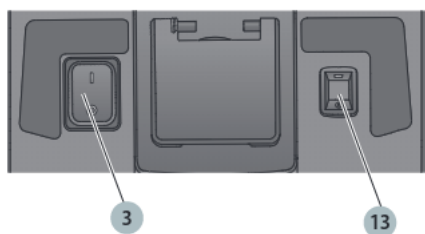


Fig. E

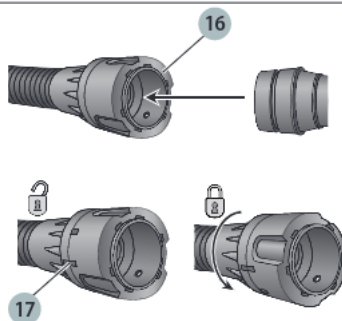


Fig. F

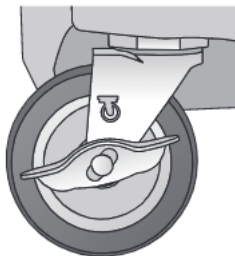


Fig. G

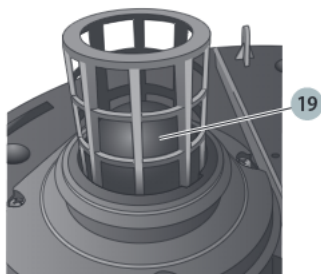


Fig. H

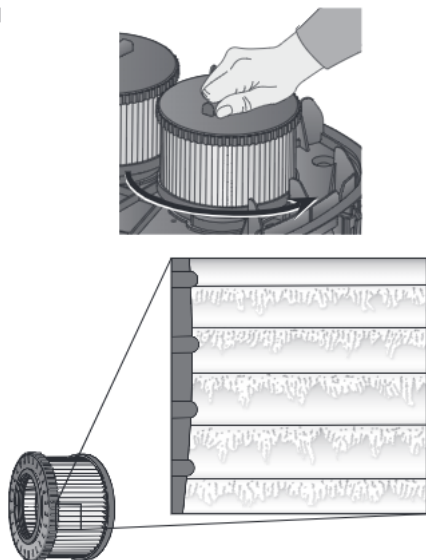


Fig. I

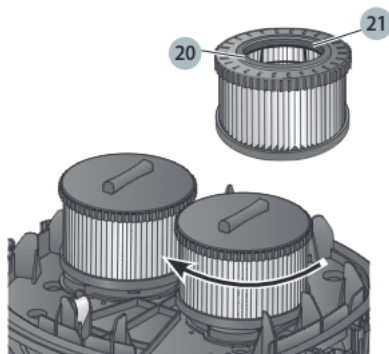
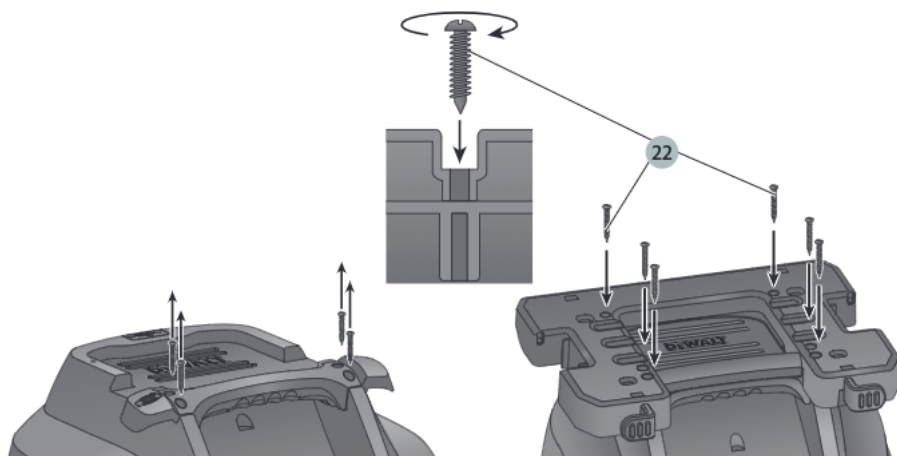


Fig. J



# HEAVY-DUTY CONSTRUCTION DUST EXTRACTOR

## DWV901L

### Congratulations!

You have chosen a DeWALT tool. Years of experience, thorough product development and innovation make DeWALT one of the most reliable partners for professional power tool users.

### Technical Data

		DWV901L- QS/GB	DWV901L- LX
Voltage	V <sub>AC</sub>	230	115
Type		2/11	2/11
Rated power	W	1400	1400
Max power	W	3600/3000	1840
Power, normal operation (EN 60335-2-69)	W	1200	1065
Frequency	Hz	50	50
Protective class		IPX4	IPX4
Container capacity	l	30	30
Filling quantity (liquid)	l	17.5	17.5
Flow rate (max at blower)	l/s	68	64
Negative pressure (max at blower)	kPa	21	20
Flow rate (EN60335-2-69)	l/s	29.5	29.5
Negative pressure (EN60335-2-69)	kPa	11.4	11.4
Filter surface	m <sup>2</sup>	0.3	0.3
Power connection data of power tool	W	2200/1600	440
Hose length	m	4.6	4.6
Hose diameter	mm	32	32
Weight	kg	9.5	9.5
Noise values and vibration values (tri-ax vector sum) according to EN60335-2-69:			
L <sub>PA</sub> (emission sound pressure level)	dB(A)	80	80
L <sub>WA</sub> (sound power level)	dB(A)	93	94
K (uncertainty for the given sound level)	dB(A)	3	3

**NOTE:** Switching activity may produce short-term voltage changes or fluctuations. Under unfavourable conditions in public low-voltage supply systems impairment of other appliances might appear. Disturbances will not occur if the impedance is less than 0.443 Ohms.

### EC-Declaration of Conformity

#### Machinery Directive



#### Heavy-Duty Construction Dust Extractor DWV901L

DeWALT declares that these products described under **Technical Data** are in compliance with: 2006/42/EC, EN60335-1:2012 +A11:2014 EN60335-2-69:2012.

These products also comply with Directive, 2014/30/EU and 2011/65/EU. For more information, please contact DeWALT at the following address or refer to the back of the manual.

The undersigned is responsible for compilation of the technical file and makes this declaration on behalf of DeWALT.

Markus Rompel  
Director Engineering  
DeWALT, Richard-Klinger-Straße 11,  
D-65510, Idstein, Germany  
20.10.2017



**WARNING:** To reduce the risk of injury, read the instruction manual.

### Definitions: Safety Guidelines

The definitions below describe the level of severity for each signal word. Please read the manual and pay attention to these symbols.



**DANGER:** Indicates an imminently hazardous situation which, if not avoided, **will** result in **death or serious injury**.



**WARNING:** Indicates a potentially hazardous situation which, if not avoided, **could** result in **death or serious injury**.



**CAUTION:** Indicates a potentially hazardous situation which, if not avoided, **may** result in **minor or moderate injury**.

**NOTICE:** Indicates a practice **not related to personal injury** which, if not avoided, **may** result in **property damage**.



Denotes risk of electric shock.



Denotes risk of fire.

### Important Safety Instructions



**WARNING!** Read all safety warnings and all instructions. Failure to follow the warnings and instructions may result in electric shock, fire and/or serious injury.

### SAVE ALL WARNINGS AND INSTRUCTIONS FOR FUTURE REFERENCE

### BEFORE USING THIS APPLIANCE, READ AND FOLLOW ALL INSTRUCTIONS.



**WARNING:** Operators shall be adequately instructed on the use of these machines.



**WARNING:** To reduce the risk of electric shock. Do not expose to rain. Store indoors.

- Before use, operators shall be provided with information, instruction and training for the use of the machine and the substances for which it is to be used, including the safe method of removal and disposal of the material collected.
- Operators should observe any safety regulations appropriate to the materials being handled.
- Do not leave the appliance when it is connected to a power source. Unplug it from outlet when not in use and before servicing.
- Do not allow the appliance to be used as a toy. Pay close attention when the appliance is used by or near children.
- Use this appliance ONLY as described in the manual. Use only DEWALT recommended attachments.
- Do not use this appliance with a damaged cord or plug. If the appliance is not working correctly, or if it has been dropped, damaged, left outdoors, or dropped in water, return it to a service center.
- Do not pull or carry this appliance by the cord, use the cord as a handle, close a door on the cord, or pull the cord around sharp edges or corners. Do not run the appliance over the cord. Keep cord away from heated surfaces.
- Do not unplug this appliance by pulling on the cord. To unplug, grasp the plug, not the cord.
- Do not handle the plug or appliance with wet hands.
- Do not put any objects into the openings of the appliance. Do not use the appliance with any opening blocked; keep free of dust, lint, hair and anything else that may reduce air flow.
- Keep hair, loose clothing, fingers, and all body parts away from the openings and moving parts.
- Turn off all controls before unplugging appliance.
- Use extra care when cleaning on stairs.
- Do not use the appliance to pick up flammable or combustible liquids, such as gasoline, or use in areas where flammable or combustible liquids are present.
- Static shocks are possible in dry areas or when the relative humidity of the air is low. This is only temporary and does not affect the use of the vacuum. To reduce the frequency of static shocks, add moisture to the air with a console, installed humidifier or use DWV9316-XJ non-static hose accessory.
- To avoid spontaneous combustion, empty canister after each use.

## SAVE THESE INSTRUCTIONS


### Additional Safety Rules

- Do not pick up anything that is burning or smoking, such as cigarettes, matches, or hot ashes.
- Do not use to vacuum combustible explosive materials, such as coal, grain, or other finely divided combustible material.
- Do not use to vacuum hazardous, toxic or carcinogenic materials, such as asbestos or pesticide.
- Never pick up explosive liquids (e.g. gasoline, diesel fuel, heating oil, paint thinner, etc.), acids or solvents.
- Do not use vacuum without filter in place, except as described under **Wet Pickup Applications**.

- Some wood contains preservatives which can be toxic. Take extra care to prevent inhalation and skin contact when working with these materials. Request and follow any safety information available from your material supplier.
- Do not use vacuum as a step ladder.
- Do not place heavy objects on vacuum.

## Electrical Safety

The electric motor has been designed for one voltage only. Always check that the power supply corresponds to the voltage on the rating plate.

 **WARNING:** 115 V units have to be operated via a fail-safe isolating transformer with an earth screen between the primary and secondary winding.

If the supply cord is damaged, it must be replaced by a specially prepared cord available through the DEWALT service organisation.

## Mains Plug Replacement (U.K. & Ireland Only)

If a new mains plug needs to be fitted:

- Safely dispose of the old plug.
- Connect the brown lead to the live terminal in the plug.
- Connect the blue lead to the neutral terminal.

 **WARNING:** No connection is to be made to the earth terminal.

Follow the fitting instructions supplied with good quality plugs. Recommended fuse: 13 A.

## Using an Extension Cable

If an extension cable is required, use an approved 3-core extension cable suitable for the power input of this tool (see **Technical Data**). The minimum conductor size is 1.5 mm<sup>2</sup>; the maximum length is 30 m.

When using a cable reel, always unwind the cable completely.

## Package Contents

The package contains:

- 1 Dust extractor
- 1 Hose
- 1 DWV9310 connector kit
- 2 Filters
- 1 Instruction manual

- Check for damage to the tool, parts or accessories which may have occurred during transport.
- Take the time to thoroughly read and understand this manual prior to operation.

## Markings on Dust Extractor

The following pictograms are shown on the appliance:



Read instruction manual before use.



**WARNING:** This appliance contains harmful dust. The emptying and maintenance, including the removal of

the dust bag, may only be executed by trained personnel wearing suitable protection equipment. Do not switch on until the complete filter system has been installed.



Class L dust extractors are suitable to extract dry, non-combustible dusts with workplace limit values of  $> 1 \text{ mg/m}^3$ .

### Date Code Position

The date code, which also includes the year of manufacture, is printed into the housing.

Example:

2017 XX XX  
Year of Manufacture

### Description (Fig. A)

**WARNING:** Never modify the power appliance or any part of it. Damage or personal injury could result.

- 1 Top handle/cord wrap
- 2 Power cord
- 3 On/off power switch
- 4 Vacuum head
- 5 Canister latch
- 6 Canister
- 7 Suction hose
- 8 Casters
- 9 Filters
- 10 Threaded hose inlet
- 11 Hose strap
- 12 Outlet for power tools
- 13 Tool control switch
- 14 Bag
- 15 DWV9130 connector
- 16 AirLock connector

### Intended Use

These vacuums are used for fine particulate pick-up, like wallboard or surface dust.

#### DWV901L

This appliance can be used as industrial vacuum cleaner and dust extractor for mobile operations to take up all types of dry, non-combustible dusts up to dust Class L with limit values for occupational exposure greater than  $1 \text{ mg/m}^3$ .

**DO NOT** use under wet conditions or in the presence of flammable liquids or gases.

These heavy-duty vacuums are for professional use.

**DO NOT** let children come into contact with the tool. Supervision is required when inexperienced operators use this tool.

**DO NOT** use the dust extractor for combustible dust.

**DO NOT** use the dust extractor in explosive atmospheres.

**NOTE:** This appliance is suited for the commercial use, e.g. in hotels, schools, hospitals, factories, shops, offices, rental companies, and on construction sites.

- **Young children and the infirm.** This appliance is not intended for use by young children or infirm persons without supervision.
- This product is not intended for use by persons (including children) suffering from diminished physical, sensory or mental abilities; lack of experience, knowledge or skills unless they are supervised by a person responsible for their safety. Children should never be left alone with this product.

### Anti-Static Hose Option

The DWV901L is equipped with an anti-static grounding system. An anti-static hose must be purchased at extra cost from your authorised service center. This hose (DWV9316-XJ) fits into the dust extractor system the same way as the standard hose. To contact your seller or check the location of your nearest authorised DEWALT repair agent in the DEWALT catalogue or contact your DEWALT office at the address indicated in this manual.

### ASSEMBLY AND ADJUSTMENTS (Fig. A–C)

**WARNING:** To reduce the risk of injury, turn appliance off and disconnect appliance from power source before installing and removing accessories, before adjusting or changing set-ups or when making repairs. An accidental start-up can cause injury.

**WARNING:** The filters 9 must always be in place while vacuuming, except as described under **Wet Pick Up Applications under Operation**. When vacuuming fine dust, you may also use an additional paper bag or fleece bag to make emptying the canister easier.

1. If optional paper or fleece bag 14 is to be used, install as shown in Figure B.
- NOTE:** Be careful not to tear the bag. Place bag securely onto inlet 10 to provide a tight seal for maximum dust collection performance.
2. Place the vacuum head 4 onto the canister and secure it by closing the canister latches 5.
3. Insert end of hose 7 into threaded hose inlet 10 and tighten the end of hose on to the tank.

### OPERATION

#### Instructions for Use (Fig. A, D)

**WARNING:** Always observe the safety instructions and applicable regulations.


**WARNING:** To reduce the risk of injury, turn appliance off and disconnect appliance from power source before installing and removing accessories, before adjusting or changing set-ups or when making repairs. An accidental start-up can cause injury.

1. Plug the power cord into an appropriate outlet.
2. Turn the on/off switch 3 to the ON position (I).

- Follow the direction under **Connecting to Power Tools** to connect to the power tool to be used.


**NOTE:** If the tool control switch is turned on, and no power cord is plugged into the outlet **12**, the vacuum will turn on briefly and then off again to indicate the tool control switch **13** is in the on position.

### Connecting to Power tools (Fig. A, D, E)

 **WARNING:** Only use the outlet **12** for purposes specified in the instructions.

- Plug the vacuum power cord into an appropriate outlet.
- Plug the power tool into the outlet **12**.

**NOTE:** See **Power connection data of power tool** under **Technical Data** for the power allowance of the tool to be plugged into the outlet **12**.

- Turn tool control switch **13** to the ACTIVATION position . This allows the vacuum to be turned on and off automatically by the power tool.

**NOTE:** The vacuum cleaner starts automatically within 0.5 seconds and continues to run for 15 seconds after the power tool has been turned off.

- To switch back to manual mode, turn the tool control switch **13** off. In manual mode the tool and the vacuum are turned on and off independently of each other.

- Your DEWALT construction dust extractor is fitted with the DEWALT AirLock connection system. The AirLock allows for a fast, secure connection between the suction hose **7** and power tool. The AirLock connector **16** connects directly to DEWALT compatible tools or through the use of an AirLock adapter (available from your local DEWALT supplier). Refer to the **Accessories** section for detail on available adapters.

**NOTE:** If using an adapter ensure it is firmly attached to the tool outlet before following the steps below.

- Ensure the collar on the AirLock connector is in the unlock position. Align notches **17** on collar and AirLock connector as shown for unlock and lock positions.
- Push the AirLock connector onto the adapter connector point.
- Rotate the collar to the locked position.

**NOTE:** The ball bearings inside collar lock into slot and secure the connection. The power tool is now securely connected to the dust extractor.

### Automatic Filter Cleaning System

This vacuum has a highly effective filter cleaning system which minimizes filter clogging. Every 30 seconds, one of the two filters gets automatically cleaned. The cleaning process alternates between the filters and continues through the life of the unit.

**NOTE:** It is normal to hear a clicking sound during this process.

**NOTE:** After many hours of operation the automatic filter cleaning system may not be effective. When this happens the filters will need to be cleaned or replaced. Refer to **Filter** under

## MAINTENANCE.

### Parking Brake (Fig. A, F)

The parking brake will lock one wheel in place to prevent vacuum from rolling.

- To engage parking brake, push down on the 'ON' side of the brake.
- To disengage parking brake, push down on the 'OFF' side of the brake.


### Remove / Change Used Dust Collection Bag (Fig. A)


 **WARNING:** Appropriate personal protective equipment like dust mask and gloves should be used while handling used dust bags.


- Turn off vacuum and unplug cord from outlet.
- Unlatch canister latches **5** and remove vacuum head **4**.
- Pull the collection bag carefully from inlet **10**.
- Seal the collection bag opening tightly when removing it from the machine.
- Dispose of collection bag in appropriate container according to statutory provisions.

### Wet Pick Up Applications (Fig. A, G)

 **WARNING:** DO NOT connect power tools to outlet **12** when using the vacuum for wet pick up.

 **WARNING:** Plug vacuum into residual current device (RCD) protected outlet when using the vacuum for wet pick up.


 **WARNING:** If foam or liquid escapes from the machine, switch off immediately.

 **CAUTION:** Clean the water level limiting device regularly and examine it for signs of damage. Refer to Fig. G.

**NOTE:** DO NOT remove ball float **19**, doing so will cause damage to the vacuum. The ball float keeps water from entering the motor.

Before using the vacuum for wet pick up:

- Ensure the canister is empty and free of excessive dust.
- Remove filters **9**.
- Plug vacuum into a RCD protected outlet.

 **WARNING:** Do not use the machine with this set up for dust Class L.

### To Empty Canister (Fig. A, G)

The ball float valve **19** will block air to the motor when the canister is full and the sound of the motor will change at once. When the motor has a high pitched sound and air/water flow stops, empty the canister.

- Turn off vacuum and unplug cord from outlet.
- Unlatch canister latches **5** and remove vacuum head **4**.
- Empty contents of canister **6** into a suitable container or drain.



## To Convert Back to Dry Vacuum Operation (Fig. A)


1. Empty Canister, refer to **To Empty Canister** instructions.
2. Place canister upside down position until dry. DO NOT use wet canister for dry pick up.
3. Place vacuum head 4 on a level surface until dry.
4. Reinstall filters when vacuum head is dry. See **Filters under Maintenance**.
5. When canister is dry place the vacuum head 4 onto the canister and secure it by closing the canister latches 5.


## Shut Down/Transportation (Fig. A)

1. Turn on/off control switch 3 to the OFF position.
2. Unplug the unit.
3. Store the power cord 2 wrapping it around the top handle/cord wrap 1 as shown.
4. When transporting in vehicles, secure the machine.

## MAINTENANCE

Your DEWALT appliance has been designed to operate over a long period of time with a minimum of maintenance. Continuous satisfactory operation depends upon proper appliance care and regular cleaning.

 **WARNING:** To reduce the risk of injury, turn appliance off and disconnect appliance from power source before installing and removing accessories, before adjusting or changing set-ups or when making repairs. An accidental start-up can cause injury.

 **WARNING:** For user servicing, the machine must be dismantled, cleaned and serviced, as far as is reasonably practicable, without causing risk to the maintenance staff and others. Suitable precautions include, decontamination before dismantling, provision for local filtered exhaust ventilation where the machine is dismantled, cleaning of the maintenance area and suitable personal protection.

- The manufacturer, or an instructed person, shall perform a technical inspection at least annually, consisting of, for example, inspection of the filter for damage, air tightness of the machine and proper function of the control mechanism.
- When carrying out service or repair operations, all contaminated items which cannot be satisfactorily cleaned, are to be disposed of; such items shall be disposed of in impervious bags in accordance with any current regulation for the disposal of such waste.
- For dust extractors it is necessary to provide for an adequate air change rate L in the room if the exhaust air is returned to the room.  
(NOTE: Reference to National Regulations is necessary.)

## Filter (Fig. A, H, I)

### Filter care

The filters included with this vacuum are long life filters. To be effective in minimizing dust recirculation, the filters MUST be installed correctly and in good condition.

 **WARNING:** Appropriate personal protective equipment like dust mask and gloves should be used while handling the filters.


### To Remove Filters

1. Turn on/off/tool control switch 3 to the OFF position (O) and unplug cord from outlet.
2. Release canister latches 5 and remove vacuum head 4 from canister. Place vacuum head on a level surface upside down.
3. Turn each filter 9 counterclockwise by gripping it on the plastic end cover as shown, and carefully remove from head, ensuring debris does not fall into mounting hole.

**NOTE:** Use care to not damage filter material.

4. If the bottom side of the vacuum head 4 needs to be cleaned, use a cloth dampened with water and mild soap and allow it to dry. Dispose of cloth in an appropriate container.
5. Inspect filters for wear, tears or other damage.

**NOTE:** If there is any doubt on the condition of the filters they MUST be replaced. DO NOT continue use if filters are damaged.

 **WARNING:** Never use compressed air or a brush to clean filters, otherwise damage to the filter membrane will occur which will allow dust to pass through the filter. If needed, gently tap against a hard surface or rinse with room temperature water and let air dry. Cleaning of the filters is typically unnecessary, even if the filter is covered with dust. The automatic filter cleaning system will maintain maximum performance and continue to function. If visual damage to the filter membrane exists, replace filters. Filters typically last between six and twelve months depending on use and care.

### To Install Filters

1. Ensure filter seal 20 is in place and is secure.
2. Line up filter threads 21 to vacuum head threads and using moderate force, turn filter clockwise until tight.  
**NOTE:** Use care to not damage filter material.
3. Place the vacuum head 4 onto the container and secure it by closing the canister latches 5.



## Lubrication

Your appliance requires no additional lubrication.



## Cleaning

**WARNING:** Never use solvents or other harsh chemicals for cleaning the non-metallic parts of the appliance. These chemicals may weaken the materials used in these parts. Never let any liquid get inside the machine; never immerse any part of the appliance into a liquid.

1. Vacuum the outside of the dust extractor. For further cleaning use a cloth dampened only with water and mild soap if necessary.
2. After use dispose of cloth in an appropriate container.

## Storage (Fig. A)

1. Empty the canister, refer to **To Empty Canister** under **Operation**.
2. Clean the vacuum inside and outside. Refer to **Cleaning**.
3. Clean or replace filters, refer to **Filters**.
4. Store the suction hose and the power cord as shown in the illustration. Place the unit in a dry room and secure it from unauthorized use.

## Optional Accessories

**WARNING:** Since accessories, other than those offered by DEWALT, have not been tested with this product, use of such accessories with this appliance could be hazardous. To reduce the risk of injury, only DEWALT recommended accessories should be used with this product.

### ACCESSORIES

DWV9340-XJ	Filter
DWV9315-XJ	Crush-proof hose
DWV9316-XJ	Anti-static hose
DWV9401-XJ	Paper bag
DWV9400-XJ	Plastic liner
DWV9402-XJ	Fleece bag
DWV9500-XJ	Vac Rack

### DEWALT AirLock System

DWV9000	Twist-Lock connection
DWV9110	29–35 mm tapered rubber adapter
DWV9120	35–38 mm stepped rubber adapter
DWV9130	35 mm OD adapter
DWV9150	35 mm OD angle adapter

## Vac Rack DWV9500 Installation (Fig. J)

**NOTE:** The DWV901L comes with DWV9500 vac rack attachment already installed.

1. Remove the 4 carry handle screws using a T-25 star bit and remove the carry handle.
2. Install the vac rack reusing the carry handle screws. Put them back in their original holes and tighten.

3. Use the 2 screws **22** provided by placing them in the rear holes of the vac rack. Push down and turn each screw to break through the material and into the hidden screw boss below. Tighten.

**CAUTION:** Do not exceed 9 kg in each 14 liter storage unit, maximum 2 storage units per dust extractor. Do not exceed 18 kg in a 28 liter storage unit, 1 storage unit per dust extractor. Exceeding the recommended height and/or weight could result in an unstable dust extractor would could cause injury or damage.

**NOTICE:** Do not remove dust extractor head from tank with T-stack storage units attached. Doing so could result in damage to the dust extractor filter.


## Securing the Power Cord to the Hose (Fig. A)

The power cord **2** can be secured to the suction hose **7** using the D279058CL hose clip (available from your local DEWALT supplier).

Consult your dealer for further information on the appropriate accessories.

## Troubleshooting


Problem	Solution
Motor does not run	Check power cord, plugs and outlet.
	Ensure the on/off switch is in the ON position (I).
	Ensure the tool control switch is in the OFF position.
Suction capacity decreases	Remove blockages in the suction nozzle, suction tube, suction hose or filters.
	Replace the paper or fleece bag.
	Check for proper installation of the filters.
	Clean or replace the filters.
	Empty canister, refer to <b>Empty Canister</b> under <b>Operation</b> .
Vacuum stops running	Thermal overload has been tripped: <ol style="list-style-type: none"> <li>1. Turn the vacuum off and disconnect vacuum cleaner from power source.</li> <li>2. Empty the canister, if needed.</li> <li>3. Allow the unit to cool.</li> <li>4. Plug the power cord into an appropriate outlet and turn on/off switch to the ON position (I) to test. If vacuum will not restart contact your seller or check the location of your nearest authorised DEWALT repair agent in the DEWALT catalogue or contact your DEWALT office at the address indicated in this manual.</li> </ol>

<b>Problem</b>	<b>Solution</b>
Dust comes out while vacuuming	Check for proper installation of the filters.
	Ensure filters are not damaged; replace if necessary.
	Ensure filter seals are in place and are secure.
Automatic filter cleaning is not working	Listen for the solenoid clicking to ensure the filter cleaning mechanism is working. If vacuum will not restart contact your seller or check the location of your nearest authorised DeWALT repair agent in the DeWALT catalogue or contact your DeWALT office at the address indicated in this manual.
Power tool does not turn on.	Ensure the tool control switch is in the ACTIVATION position  .

## Protecting the Environment



Separate collection. Products and batteries marked with this symbol must not be disposed of with normal household waste.

 Products and batteries contain materials that can be recovered or recycled reducing the demand for raw materials. Please recycle electrical products and batteries according to local provisions. Further information is available at [www.2helpU.com](http://www.2helpU.com).

<b>Belgique et Luxembourg België en Luxemburg</b>	DeWALT – Belgium BVBA Egide Walschaertsstraat 16 2800 Mechelen	Tel: NL 32 15 47 37 63 Tel: FR 32 15 47 37 64 Fax: 32 15 47 37 99	www.dewalt.be enduser_BE@SBDinc.com
<b>Danmark</b>	DeWALT (Stanley Black&Decker AS) Roskildevej 22 2620 Albertslund	Tel: 70 20 15 10 Fax: 70 22 49 10	www.dewalt.dk kundeservice.dk@sbdinc.com
<b>Deutschland</b>	DeWALT Richard Klingner Str. 11 65510 Idstein	Tel: 06126-21-0 Fax: 06126-21-2770	www.dewalt.de infodw@sbdlnc.com
<b>Ελλάς</b>	DeWALT (Ελλάς) A.E. ΕΔΡΑ-ΓΡΑΦΕΙΑ : Στραβουνός 7 & Λ. Βουλιαγμένης, Γλυφάδα 166 74, Αθήνα SERVICE : Ημέρος Τόπος 2 (Δίον Αδών) – 193 00 Ασπρόπυργος	Τηλ: 00302108981616 Φαξ: 00302108983570	www.dewalt.gr Greece.Service@sbdinc.com
<b>España</b>	DeWALT Iberica, S.C.A. Parc de Negocios "Mas Blau" Edificio Muntadas, c/Bergadà, 1, Of. A6 08820 El Prat de Llobregat (Barcelona)	Tel: 934 797 400 Fax: 934 797 419	www.dewalt.es respuesta.postventa@sbdinc.com
<b>France</b>	DeWALT 5, allée des Hêtres BP 60105, 69579 Limonest Cedex	Tel: 04 72 20 39 20 Fax: 04 72 20 39 00	www.dewalt.fr scuf@sbdinc.com
<b>Schweiz Suisse Svizzera</b>	DeWALT In der Luberzen 42 8902 Udorf	Tel: 044 - 755 60 70 Fax: 044 - 730 70 67	www.dewalt.ch service@rofoag.ch
<b>Ireland</b>	DeWALT Building 4500, Kinsale Road Cork Airport Business Park Cork, Ireland	Tel: 00353-2781800 Fax: 01278 1811	www.dewalt.ie Sales.ireland@sbdinc.com
<b>Italia</b>	DeWALT via Energypark 6 20871 Vimercate (MB), IT	Tel: 800-014353 39 039-9590200 Fax: 39 039-9590311	www.dewalt.it
<b>Nederlands</b>	DeWALT Netherlands BVPostbus 83, 6120 AB BORN	Tel: 31 164 283 063 Fax: 31 164 283 200	www.dewalt.nl
<b>Norge</b>	DeWALT Postboks 4613 0405 Oslo, Norge	Tel: 45 25 13 00 Fax: 45 25 08 00	www.dewalt.no kundeservice.no@sbdinc.com
<b>Österreich</b>	DeWALT Werkzeug Vertriebsges.m.b.H Oberflaerstrasse 248, A-1230 Wien	Tel: 01 - 66116 - 0 Fax: 01 - 66116 - 614	www.dewalt.at service.austria@sbdinc.com
<b>Portugal</b>	DeWALT Ed. D Dimis, Quina da Fonte Rua dos Malhoes 2 2A 2º Esq. Oeiras e S. Juliao da Barra, paço de Arcos e Caxias 2770 071 Paço de Arcos	Tel: +351 214667500 Fax: +351214667580	www.dewalt.pt resposta.posvenda@sbdinc.com
<b>Suomi</b>	DeWALT PL47 00521 Helsinki, Suomi	Puh: 010 400 4333 Faksi: 0800 411 340	www.dewalt.fi asiakaspalvelu.fi@sbdinc.com
<b>Sverige</b>	DeWALT BOX 94 43122 Molndal Sverige	Tel: 031 68 61 60 Fax: 031 68 60 08	www.dewalt.se kundeservice.se@sbdinc.com
<b>Türkiye</b>	Sanayi ve Ticaret Bakanlığı tebliğine kullanım ömrü 7 yıldır. Stanley Black & Decker Turkey Alet Üretim San. Tic. Ltd Şti. Kozyatağı Mh Değirmen Sk. Nida Kule No: 18 Kat: 6, 34742 Kadıköy, İstanbul, Türkiye	Tel: +90 216 665 2900 Faks: +90 216 665 2901	www.dewalt.com.tr info-tr@sbdlnc.com
<b>United Kingdom</b>	DeWALT, 210 Bath Road, Slough, Berks SL1 3YD	Tel: 01753-567055 Fax: 01753-572112	www.dewalt.co.uk emeaservice@sbdinc.com
<b>Australia</b>	DeWALT 810 Whitehorse Road Box Hill VIC 3103 Australia	Tel: Aust 1800 338 002 Tel: NZ 0800 339 258	www.dewalt.com.au www.dewalt.co.nz
<b>Middle East Africa</b>	DeWALT P.O. Box - 17164, Jebel Ali Free Zone (South), Dubai, UAE	Tel: 971 4 812 7400 Fax: 971 4 2822765	www.dewalt.ae Service.MEA@sbdinc.com

