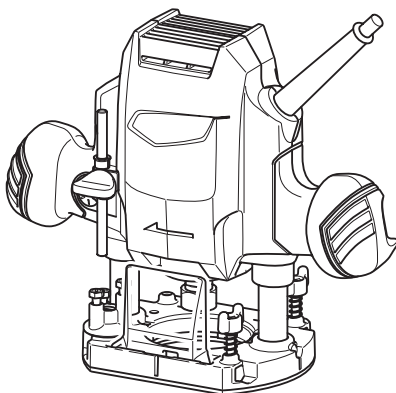
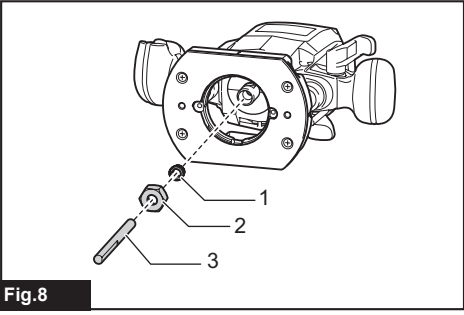
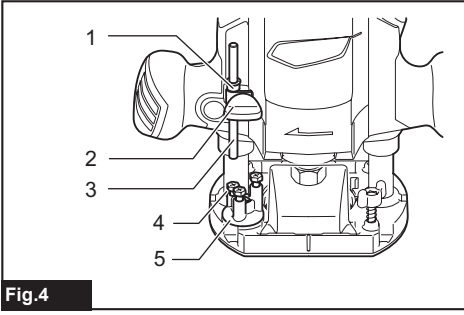
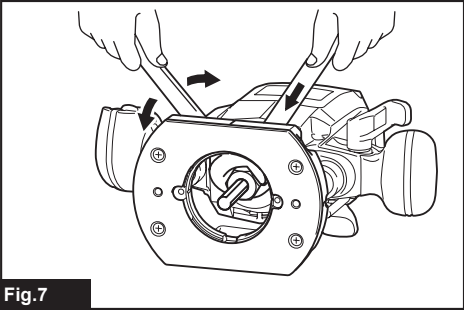
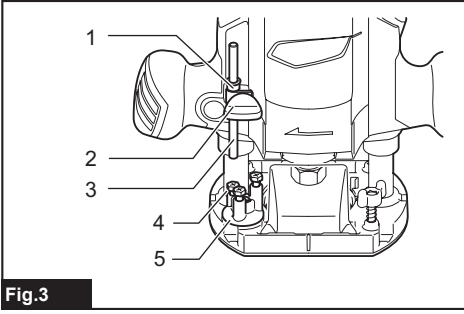
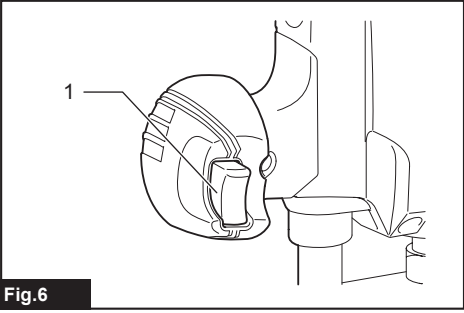
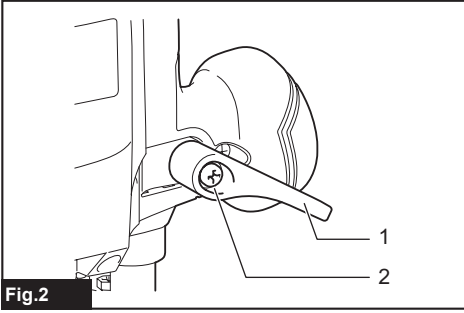
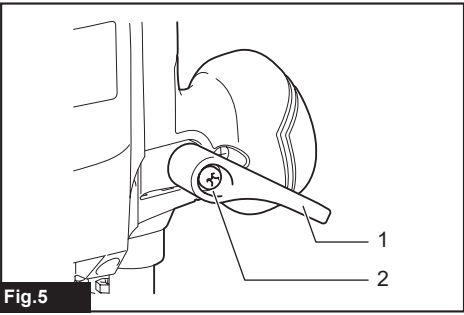
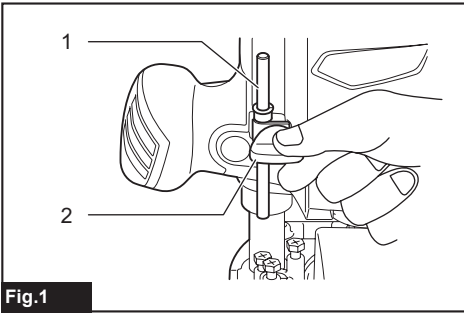




EN	Router	INSTRUCTION MANUAL	6
FR	Défonceuse	MANUEL D'INSTRUCTIONS	11
DE	Oberfräse	BETRIEBSANLEITUNG	17
IT	Fresatrice verticale	ISTRUZIONI PER L'USO	23
NL	Bovenfrees	GEBRUIKSAANWIJZING	29
ES	Rebajadora	MANUAL DE INSTRUCCIONES	35
PT	Tupia	MANUAL DE INSTRUÇÕES	41
DA	Overfræser	BRUGSANVISNING	47
EL	Ρούτερ	ΕΓΧΕΙΡΙΔΙΟ ΟΔΗΓΙΩΝ	52
TR	Freze	KULLANMA KILAVUZU	58

M3601





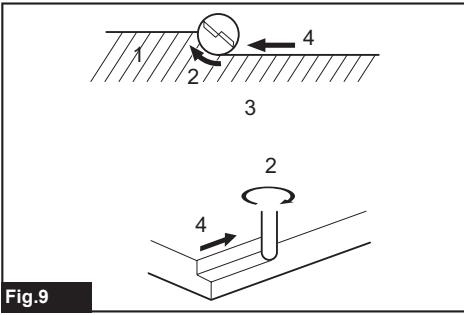


Fig.9

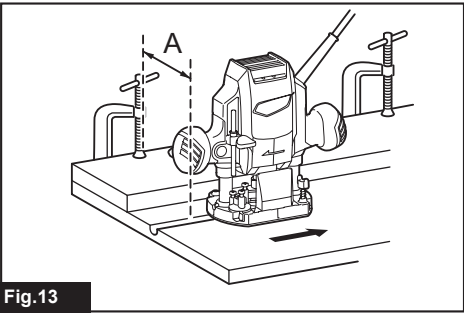


Fig.13

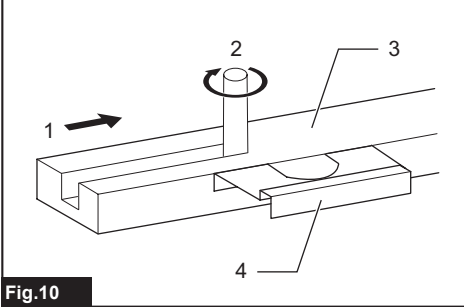


Fig.10

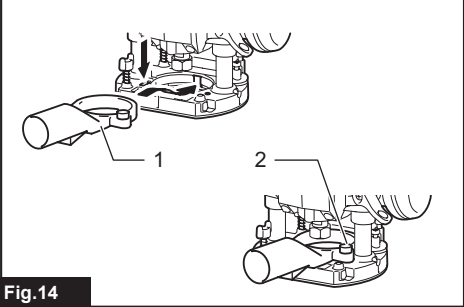


Fig.14

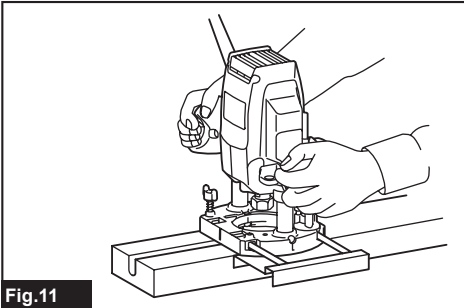


Fig.11

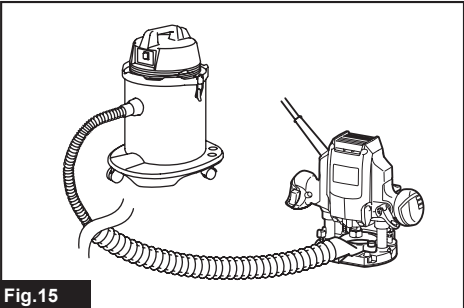


Fig.15

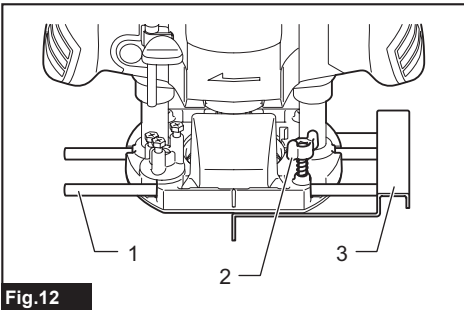


Fig.12

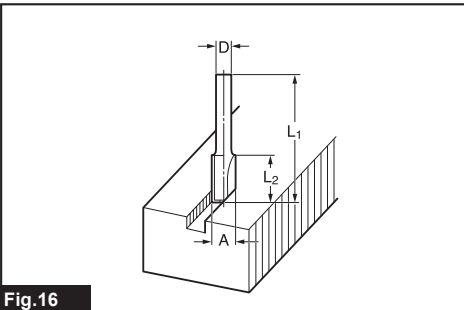
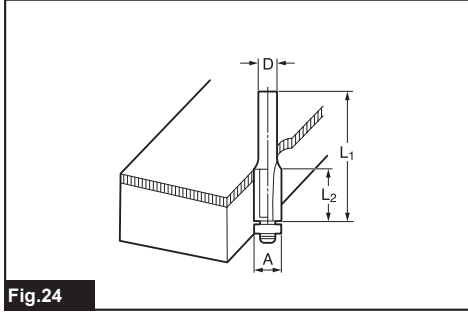
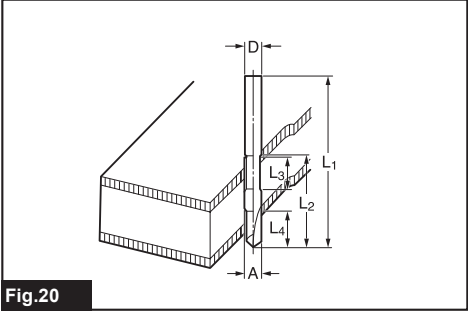
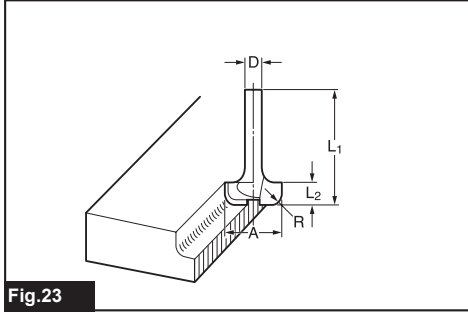
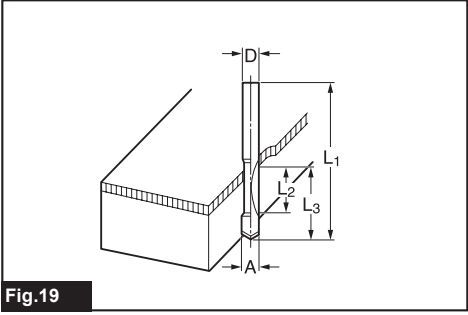
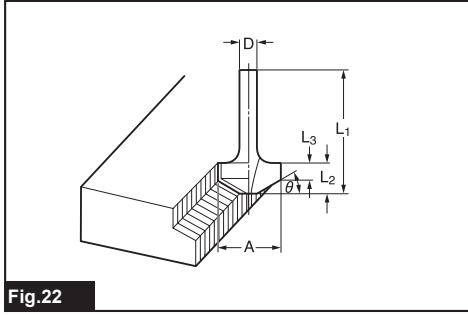
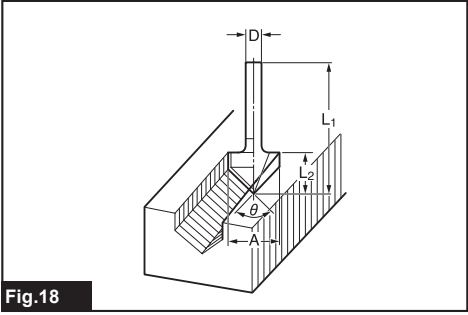
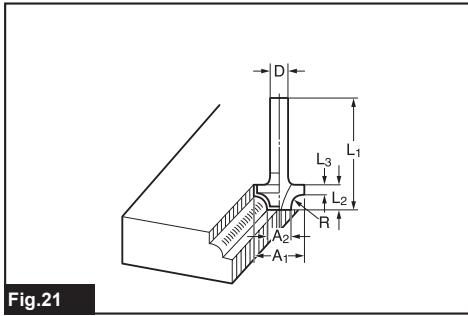
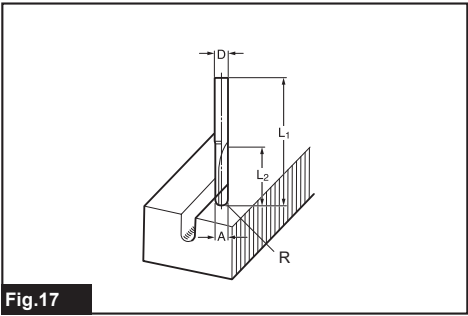


Fig.16



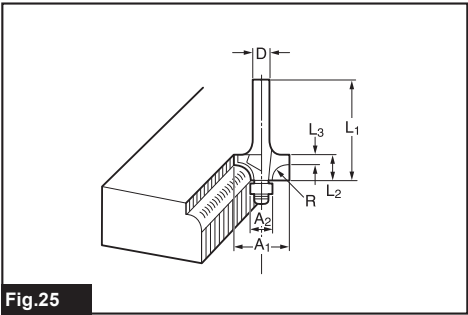


Fig.25

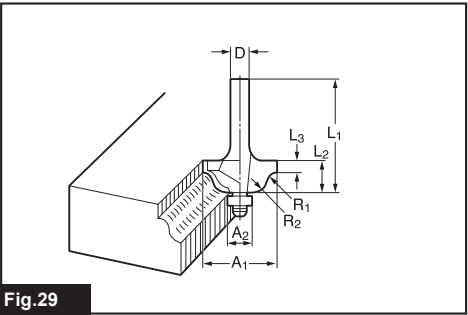


Fig.29

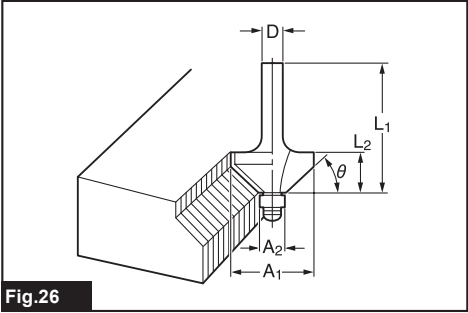


Fig.26

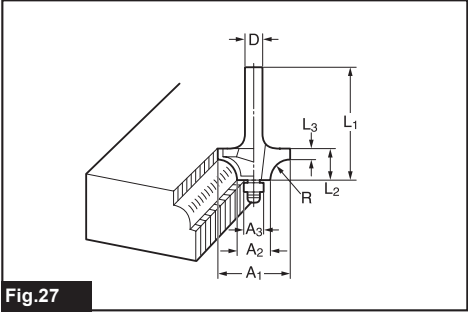


Fig.27

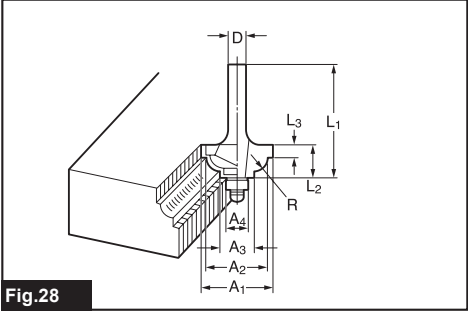


Fig.28

SPECIFICATIONS

Model:	M3601
Collet chuck capacity	6 mm, 1/4" and/or 8 mm
Plunge capacity	0 - 35 mm
No load speed	27,000 min ⁻¹
Overall height	218 mm
Net weight	2.7 kg
Safety class	Ⓜ/II

- Due to our continuing program of research and development, the specifications herein are subject to change without notice.
- Specifications may differ from country to country.
- Weight according to EPTA-Procedure 01/2014

Intended use

The tool is intended for flush trimming and profiling of wood, plastic and similar materials.

Power supply

The tool should be connected only to a power supply of the same voltage as indicated on the nameplate, and can only be operated on single-phase AC supply. They are double-insulated and can, therefore, also be used from sockets without earth wire.

Noise

The typical A-weighted noise level determined according to EN62841-2-17:

Sound pressure level (L_{pA}) : 89 dB(A)

Sound power level (L_{WA}) : 100 dB (A)

Uncertainty (K) : 3 dB(A)

NOTE: The declared noise emission value(s) has been measured in accordance with a standard test method and may be used for comparing one tool with another.

NOTE: The declared noise emission value(s) may also be used in a preliminary assessment of exposure.

⚠WARNING: Wear ear protection.

⚠WARNING: The noise emission during actual use of the power tool can differ from the declared value(s) depending on the ways in which the tool is used especially what kind of workpiece is processed.

⚠WARNING: Be sure to identify safety measures to protect the operator that are based on an estimation of exposure in the actual conditions of use (taking account of all parts of the operating cycle such as the times when the tool is switched off and when it is running idle in addition to the trigger time).

Vibration

The vibration total value (tri-axial vector sum) determined according to EN62841-2-17:

Work mode: cutting grooves in MDF

Vibration emission (a_h) : 7.9 m/s²

Uncertainty (K) : 1.6 m/s²

NOTE: The declared vibration total value(s) has been measured in accordance with a standard test method and may be used for comparing one tool with another.

NOTE: The declared vibration total value(s) may also be used in a preliminary assessment of exposure.

⚠WARNING: The vibration emission during actual use of the power tool can differ from the declared value(s) depending on the ways in which the tool is used especially what kind of workpiece is processed.

⚠WARNING: Be sure to identify safety measures to protect the operator that are based on an estimation of exposure in the actual conditions of use (taking account of all parts of the operating cycle such as the times when the tool is switched off and when it is running idle in addition to the trigger time).

EC Declaration of Conformity

For European countries only

The EC declaration of conformity is included as Annex A to this instruction manual.

SAFETY WARNINGS

General power tool safety warnings

⚠WARNING: Read all safety warnings, instructions, illustrations and specifications provided with this power tool. Failure to follow all instructions listed below may result in electric shock, fire and/or serious injury.

Save all warnings and instructions for future reference.

The term "power tool" in the warnings refers to your mains-operated (corded) power tool or battery-operated (cordless) power tool.

Router safety warnings

1. **Hold the power tool by insulated gripping surfaces only, because the cutter may contact its own cord.** Cutting a "live" wire may make exposed metal parts of the power tool "live" and could give the operator an electric shock.
2. **Use clamps or another practical way to secure and support the workpiece to a stable platform.** Holding the work by your hand or against the body leaves it unstable and may lead to loss of control.
3. **The cutter bit shank must match the designed collet chuck.**
4. **Only use a bit that is rated at least equal to the maximum speed marked on the tool.**
5. **Wear hearing protection during extended period of operation.**
6. **Handle the router bits very carefully.**
7. **Check the router bit carefully for cracks or damage before operation. Replace cracked or damaged bit immediately.**
8. **Avoid cutting nails. Inspect for and remove all nails from the workpiece before operation.**
9. **Hold the tool firmly with both hands.**
10. **Keep hands away from rotating parts.**
11. **Make sure the router bit is not contacting the workpiece before the switch is turned on.**
12. **Before using the tool on an actual workpiece, let it run for a while. Watch for vibration or wobbling that could indicate improperly installed bit.**
13. **Be careful of the router bit rotating direction and the feed direction.**
14. **Do not leave the tool running. Operate the tool only when hand-held.**
15. **Always switch off and wait for the router bit to come to a complete stop before removing the tool from workpiece.**
16. **Do not touch the router bit immediately after operation; it may be extremely hot and could burn your skin.**
17. **Do not smear the tool base carelessly with thinner, gasoline, oil or the like. They may cause cracks in the tool base.**
18. **Some material contains chemicals which may be toxic. Take caution to prevent dust inhalation and skin contact. Follow material supplier safety data.**
19. **Always use the correct dust mask/respirator for the material and application you are working with.**

SAVE THESE INSTRUCTIONS.

⚠WARNING: DO NOT let comfort or familiarity with product (gained from repeated use) replace strict adherence to safety rules for the subject product. MISUSE or failure to follow the safety rules stated in this instruction manual may cause serious personal injury.

FUNCTIONAL DESCRIPTION

⚠CAUTION: Always be sure that the tool is switched off and unplugged before adjusting or checking function on the tool.

Adjusting the depth of cut

1. Place the tool on a flat surface. Loosen the screw securing the stopper pole.
▶ **Fig.1:** 1. Stopper pole 2. Screw
2. Loosen the lock lever and lower the tool body until the router bit just touches the flat surface. Tighten the lock lever to lock the tool body.
▶ **Fig.2:** 1. Lock lever 2. Screw
3. Lower the stopper pole until it makes contact with the adjusting hex bolt. Align the depth pointer with the "0" graduation.
▶ **Fig.3:** 1. Depth pointer 2. Screw 3. Stopper pole 4. Adjusting hex bolt 5. Stopper block
4. Raise the stopper pole until the desired depth of cut is obtained. The depth of cut is indicated on the scale (1 mm per graduation) by the depth pointer. Then tighten the screw to secure the stopper pole.
5. Your predetermined depth of cut can be obtained by loosening the lock lever and then lowering the tool body until the stopper pole makes contact with the adjusting hex bolt.

⚠CAUTION: Since excessive cutting may cause overload of the motor or difficulty in controlling the tool, the depth of cut should not be more than 15 mm (9/16") at a pass when cutting grooves with an 8 mm (5/16") diameter bit.

⚠CAUTION: When cutting grooves with a 20 mm (13/16") diameter bit, the depth of cut should not be more than 5 mm (3/16") at a pass.

⚠CAUTION: When you wish to cut grooves more than 15 mm (9/16") deep with an 8 mm (5/16") diameter bit or more than 5 mm (3/16") deep with a 20 mm (13/16") diameter bit, make several passes with progressively deeper bit settings.

Stopper block

- The stopper block has three adjusting hex bolts which raise or lower 0.8 mm (approx. 1/32") per turn. You can easily obtain three different depths of cut using these adjusting hex bolts without readjusting the stopper pole.
- ▶ **Fig.4:** 1. Depth pointer 2. Screw 3. Stopper pole 4. Adjusting hex bolt 5. Stopper block

1. Adjust the lowest hex bolt to obtain the deepest depth of cut, following the method of "Adjusting the depth of cut".
2. Adjust the two remaining hex bolts to obtain shallower depths of cut. The differences in height of these hex bolts are equal to the differences in depths of cut.

3. Turn the hex bolts to adjust the depth. The stopper block is also convenient for making three passes with progressively deeper bit settings when cutting deep grooves.

NOTE: When using a bit having total length of 60 mm (2-3/8") or more, or edge length of 35 mm (1-3/8") or more, the depth of cut cannot be adjusted as previously mentioned. To adjust, proceed as follows:

1. Loosen the lock lever and carefully adjust bit protrusion below the tool base to the desired depth of cut by moving the tool body up or down.
2. Retighten the lock lever to lock the tool body at that depth of cut. Keep the tool body locked at this position during use.

Since the bit always protrudes from the tool base, be careful when handling the tool.

Adjusting the lock lever

The locked position of the lock lever is adjustable. To adjust it, remove the screw securing the lock lever. The lock lever will come off. Set the lock lever at the desired angle. After adjustment, tighten the lock lever clockwise.

► **Fig.5:** 1. Lock lever 2. Screw

Switch action

CAUTION: Before plugging in the tool, always check to see that the switch trigger actuates properly and returns to the "OFF" position when released.

To start the tool, simply pull the switch trigger. Release the switch trigger to stop.

► **Fig.6:** 1. Switch trigger

ASSEMBLY

CAUTION: Always be sure that the tool is switched off and unplugged before carrying out any work on the tool.

Installing or removing the router bit

Insert the bit all the way into the collet cone and tighten the collet nut securely with the two wrenches. Use the correct size collet cone for the bit which you intend to use.

► **Fig.7**

To remove the bit, follow the installation procedure in reverse.

CAUTION: Install the router bit securely. Always use only the wrench provided with the tool. A loose or overtightened router bit can be dangerous.

CAUTION: Do not tighten the collet nut without inserting a bit. It can lead to breakage of the collet cone.

Changing the collet cone

Country specific

NOTICE: Use the correct size collet cone for the bit that you are going to use.

NOTICE: Do not tighten the collet nut without installing a bit, or the collet cone may break.

► **Fig.8:** 1. Collet cone 2. Collet nut 3. Bit

To change the collet cone, loosen the collet nut and remove. Replace the installed collet cone with desired collet cone. Reinstall collet nut.

OPERATION

Set the tool base on the workpiece to be cut without the router bit making any contact. Then turn the tool on and wait until the router bit attains full speed. Lower the tool body and move the tool forward over the workpiece surface, keeping the tool base flush and advancing smoothly until the cutting is complete.

When doing edge cutting, the workpiece surface should be on the left side of the router bit in the feed direction.

► **Fig.9:** 1. Workpiece 2. Bit revolving direction 3. View from the top of the tool 4. Feed direction

NOTE: Moving the tool forward too fast may cause a poor quality of cut, or damage to the router bit or motor. Moving the tool forward too slowly may burn and mar the cut. The proper feed rate will depend on the router bit size, the kind of workpiece and depth of cut.

Before beginning the cut on the actual workpiece, it is advisable to make a sample cut on a piece of scrap lumber. This will show exactly how the cut will look as well as enable you to check dimensions.

NOTE: When using the straight guide or the trimmer guide, be sure to install it on the right side in the feed direction. This will help to keep it flush with the side of the workpiece.

► **Fig.10:** 1. Feed direction 2. Bit revolving direction 3. Workpiece 4. Straight guide

Straight guide

The straight guide is effectively used for straight cuts when chamfering or grooving.

► **Fig.11**

To install the straight guide, insert the guide bars into the holes in the tool base. Adjust the distance between the bit and the straight guide. At the desired distance, tighten the wing bolts to secure the straight guide in place. When cutting, move the tool with the straight guide flush with the side of the workpiece.

► **Fig.12:** 1. Guide bar 2. Clamp screw 3. Straight guide

If the distance (A) between the side of the workpiece and the cutting position is too wide for the straight guide, or if the side of the workpiece is not straight, the straight guide cannot be used. In this case, firmly clamp a straight board to the workpiece and use it as a guide against the trimmer base. Feed the tool in the direction of the arrow.

► Fig.13

Dust nozzle set (country specific)

Use the dust nozzle for dust extraction. Install the dust nozzle on the tool base using the thumb screw so that protrusion on the dust nozzle fit to the notch in the tool base. Then connect a vacuum cleaner to the dust nozzle.

► Fig.14: 1. Dust nozzle 2. Thumb screw

► Fig.15

MAINTENANCE

⚠ CAUTION: Always be sure that the tool is switched off and unplugged before attempting to perform inspection or maintenance.

NOTICE: Never use gasoline, benzene, thinner, alcohol or the like. Discoloration, deformation or cracks may result.

To maintain product SAFETY and RELIABILITY, repairs, any other maintenance or adjustment should be performed by Makita Authorized or Factory Service Centers, always using Makita replacement parts.

OPTIONAL ACCESSORIES

⚠ CAUTION: These accessories or attachments are recommended for use with your Makita tool specified in this manual. The use of any other accessories or attachments might present a risk of injury to persons. Only use accessory or attachment for its stated purpose.

If you need any assistance for more details regarding these accessories, ask your local Makita Service Center.

- Straight & groove forming bits
- Edge forming bits
- Laminate trimming bits

NOTE: Some items in the list may be included in the tool package as standard accessories. They may differ from country to country.

Router bits

Straight bit

► Fig.16

Unit:mm

D	A	L1	L2
6	20	50	15
1/4"			
8	8	60	25
6	8	50	18
1/4"			
6	6	50	18
1/4"			

“U”Grooving bit

► Fig.17

Unit:mm

D	A	L1	L2	R
6	6	50	18	3

“V”Grooving bit

► Fig.18

Unit:mm

D	A	L1	L2	θ
1/4"	20	50	15	90°

Drill point flush trimming bit

► Fig.19

Unit:mm

D	A	L1	L2	L3
8	8	60	20	35
6	6	60	18	28

Drill point double flush trimming bit

► Fig.20

Unit:mm

D	A	L1	L2	L3	L4
8	8	80	55	20	25
6	6	70	40	12	14

Corner rounding bit

► Fig.21

Unit:mm

D	A1	A2	L1	L2	L3	R
6	25	9	48	13	5	8
6	20	8	45	10	4	4

Chamfering bit

► Fig.22

Unit:mm

D	A	L1	L2	L3	θ
6	23	46	11	6	30°
6	20	50	13	5	45°
6	20	49	14	2	60°

Cove beading bit

► Fig.23

Unit:mm

D	A	L1	L2	R
6	20	43	8	4
6	25	48	13	8

Ball bearing flush trimming bit

► Fig.24

Unit:mm

D	A	L1	L2
6	10	50	20
1/4"			

Ball bearing corner rounding bit

► Fig.25

Unit:mm

D	A1	A2	L1	L2	L3	R
6	15	8	37	7	3.5	3
6	21	8	40	10	3.5	6
1/4"	21	8	40	10	3.5	6

Ball bearing chamfering bit

► Fig.26

Unit:mm

D	A1	A2	L1	L2	θ
6	26	8	42	12	45°
1/4"					
6	20	8	41	11	60°

Ball bearing beading bit

► Fig.27

Unit:mm

D	A1	A2	A3	L1	L2	L3	R
6	20	12	8	40	10	5.5	4
6	26	12	8	42	12	4.5	7

Ball bearing cove beading bit

► Fig.28

Unit:mm

D	A1	A2	A3	A4	L1	L2	L3	R
6	20	18	12	8	40	10	5.5	3
6	26	22	12	8	42	12	5	5

Ball bearing roman ogee bit

► Fig.29

Unit:mm

D	A1	A2	L1	L2	L3	R1	R2
6	20	8	40	10	4.5	2.5	4.5
6	26	8	42	12	4.5	3	6

SPÉCIFICATIONS

Modèle :	M3601
Capacité du mandrin à bague	6 mm, 1/4" et/ou 8 mm
Capacité de plongée	0 à 35 mm
Vitesse à vide	27 000 min ⁻¹
Hauteur hors tout	218 mm
Poids net	2,7 kg
Catégorie de sécurité	⊠/II

- Étant donné l'évolution constante de notre programme de recherche et de développement, les spécifications contenues dans ce manuel sont sujettes à modification sans préavis.
- Les spécifications peuvent varier suivant les pays.
- Poids selon la procédure EPTA 01/2014

Utilisations

L'outil est conçu pour l'affleurage au ras et le profilage du bois, du plastique et de matériaux semblables.

Alimentation

L'outil ne devra être raccordé qu'à une alimentation de la même tension que celle qui figure sur la plaque signalétique, et il ne pourra fonctionner que sur un courant secteur monophasé. Réalisé avec une double isolation, il peut de ce fait être alimenté par une prise sans mise à la terre.

Bruit

Niveau de bruit pondéré A typique, déterminé selon EN62841-2-17 :

Niveau de pression sonore (L_{pA}) : 89 dB (A)

Niveau de puissance sonore (L_{WA}) : 100 dB (A)

Incertitude (K) : 3 dB (A)

NOTE : La ou les valeurs d'émission de bruit déclarées ont été mesurées conformément à la méthode de test standard et peuvent être utilisées pour comparer les outils entre eux.

NOTE : La ou les valeurs d'émission de bruit déclarées peuvent aussi être utilisées pour l'évaluation préliminaire de l'exposition.

⚠ AVERTISSEMENT : Portez un serre-tête antibruit.

⚠ AVERTISSEMENT : L'émission de bruit lors de l'usage réel de l'outil électrique peut être différente de la ou des valeurs déclarées, suivant la façon dont l'outil est utilisé, particulièrement selon le type de pièce usinée.

⚠ AVERTISSEMENT : Les mesures de sécurité à prendre pour protéger l'utilisateur doivent être basées sur une estimation de l'exposition dans des conditions réelles d'utilisation (en tenant compte de toutes les composantes du cycle d'utilisation, comme par exemple le moment de sa mise hors tension, lorsqu'il tourne à vide et le moment de son déclenchement).

Vibrations

Valeur totale de vibrations (somme de vecteur triaxial) déterminée selon EN62841-2-17 :
 Mode de travail : coupe de rainures sur un panneau de fibres à densité moyenne
 Émission de vibrations (a_{hv}) : 7,9 m/s²
 Incertitude (K) : 1,6 m/s²

NOTE : La ou les valeurs de vibration totales déclarées ont été mesurées conformément à la méthode de test standard et peuvent être utilisées pour comparer les outils entre eux.

NOTE : La ou les valeurs de vibration totales déclarées peuvent aussi être utilisées pour l'évaluation préliminaire de l'exposition.

⚠ AVERTISSEMENT : L'émission de vibrations lors de l'usage réel de l'outil électrique peut être différente de la ou des valeurs déclarées, suivant la façon dont l'outil est utilisé, particulièrement selon le type de pièce usinée.

⚠ AVERTISSEMENT : Les mesures de sécurité à prendre pour protéger l'utilisateur doivent être basées sur une estimation de l'exposition dans des conditions réelles d'utilisation (en tenant compte de toutes les composantes du cycle d'utilisation, comme par exemple le moment de sa mise hors tension, lorsqu'il tourne à vide et le moment de son déclenchement).

Déclaration de conformité CE

Pour les pays européens uniquement

La déclaration de conformité CE est fournie en Annexe A à ce mode d'emploi.

CONSIGNES DE SÉCURITÉ

Consignes de sécurité générales pour outils électriques

⚠️ AVERTISSEMENT : Veuillez lire les consignes de sécurité, instructions, illustrations et spécifications qui accompagnent cet outil électrique. Le non-respect de toutes les instructions indiquées ci-dessous peut entraîner une électrocution, un incendie et/ou de graves blessures.

Conservez toutes les mises en garde et instructions pour référence ultérieure.

Le terme « outil électrique » dans les avertissements fait référence à l'outil électrique alimenté par le secteur (avec cordon d'alimentation) ou à l'outil électrique fonctionnant sur batterie (sans cordon d'alimentation).

Consignes de sécurité pour défonceuse

1. **Tenez l'outil électrique par une surface de prise isolée uniquement, étant donné que l'outil de coupe peut entrer en contact avec son cordon.** Couper un câble sous tension risque de mettre sous tension les pièces métalliques à découvert de l'outil électrique et d'électrocuter l'utilisateur.
2. **Utilisez des dispositifs de serrage ou un autre moyen pratique pour fixer et soutenir la pièce sur une plateforme stable.** La pièce sera instable et vous risquez d'en perdre la maîtrise si vous la tenez dans vos mains ou l'appuyez contre le corps.
3. **La tige de la fraise de coupe doit correspondre au mandrin à bague indiqué.**
4. **Utilisez uniquement une fraise dont la vitesse nominale est au moins égale à la vitesse maximale indiquée sur l'outil.**
5. **Portez des protège-tympons si vous utilisez l'outil pendant une période prolongée.**
6. **Manipulez les fraises de défonceuse avec beaucoup de précaution.**
7. **Vérifiez soigneusement l'absence de fissures ou de dommages sur les fraises de défonceuse avant l'utilisation. Remplacez immédiatement les fraises fissurées ou abîmées.**
8. **Prenez garde aux clous pendant la coupe. Avant de travailler votre pièce, inspectez-la et retirez-en tous les clous.**
9. **Tenez l'outil fermement à deux mains.**
10. **Gardez vos mains à l'écart des pièces en rotation.**
11. **Assurez-vous que la fraise de défonceuse n'est pas en contact avec la pièce avant de mettre l'outil en marche.**

12. **Avant d'utiliser l'outil sur une pièce, faites-le tourner un instant à vide. Soyez attentif aux vibrations ou sautilllements pouvant indiquer que la fraise n'est pas bien installée ou est mal équilibrée.**
13. **Faites attention au sens de rotation de la fraise de défonceuse et au sens d'avance.**
14. **N'abandonnez pas l'outil alors qu'il tourne. Ne faites fonctionner l'outil qu'une fois que vous l'avez bien en main.**
15. **Avant de retirer l'outil de la pièce, mettez toujours l'outil hors tension et attendez que la fraise de défonceuse soit complètement immobilisée.**
16. **Ne touchez pas la fraise de défonceuse immédiatement après avoir terminé le travail ; elle peut être très chaude et vous brûler la peau.**
17. **Prenez garde de ne pas tacher le socle de l'outil avec du diluant, de l'essence, de l'huile ou toute substance similaire. Elles peuvent entraîner des fissures sur le socle de l'outil.**
18. **Certains matériaux contiennent des produits chimiques qui peuvent être toxiques. Prenez les précautions nécessaires pour ne pas inhaler les poussières et pour éviter tout contact avec la peau. Suivez les données de sécurité du fournisseur du matériau.**
19. **Portez toujours un masque anti-poussières/un masque filtrant adapté au matériau travaillé et à l'application utilisée.**

CONSERVEZ CES INSTRUCTIONS.

⚠️ AVERTISSEMENT : NE vous laissez PAS tromper (au fil d'une utilisation répétée) par un sentiment d'aisance et de familiarité avec le produit, en négligeant le respect rigoureux des consignes de sécurité qui accompagnent le produit en question. La MAUVAISE UTILISATION de l'outil ou l'ignorance des consignes de sécurité indiquées dans ce mode d'emploi peut entraîner de graves blessures.

DESCRIPTION DU FONCTIONNEMENT

⚠ ATTENTION : Assurez-vous toujours que l'outil est hors tension et débranché avant de l'ajuster ou de vérifier son fonctionnement.

Réglage de la profondeur de la coupe

- Placez l'outil sur une surface plane. Desserrez la vis qui retient la tige d'arrêt.
► **Fig.1:** 1. Tige d'arrêt 2. Vis
- Desserrez le levier de verrouillage et abaissez le corps de l'outil jusqu'à ce que la fraise de défonceuse entre légèrement en contact avec la surface plane. Serrez le levier de verrouillage pour verrouiller le corps de l'outil.
► **Fig.2:** 1. Levier de verrouillage 2. Vis
- Abaissez la tige d'arrêt jusqu'à ce qu'elle entre en contact avec le boulon hexagonal de réglage. Alignez l'index de profondeur sur la graduation « 0 ».
► **Fig.3:** 1. Index de profondeur 2. Vis 3. Tige d'arrêt 4. Boulon hexagonal de réglage 5. Bloc butoir
- Soulevez la tige d'arrêt jusqu'à ce que vous obteniez la profondeur de coupe souhaitée. La profondeur de coupe est indiquée sur l'échelle (1 mm par graduation) par l'index de profondeur. Puis serrez la vis pour fixer la tige d'arrêt.
- La profondeur de coupe que vous avez prédéterminée peut être obtenue en desserrant le levier de verrouillage, puis en abaissant le corps de l'outil jusqu'à ce que la tige d'arrêt entre en contact avec le boulon hexagonal de réglage.

⚠ ATTENTION : Comme une coupe trop profonde risquerait de surcharger le moteur et de rendre difficile la maîtrise de l'outil, la profondeur de coupe ne doit pas être supérieure à 15 mm (9/16") par passe lors du rainurage avec une fraise de 8 mm (5/16") de diamètre.

⚠ ATTENTION : Lors du rainurage avec une fraise de 20 mm (13/16") de diamètre, la profondeur de coupe ne doit pas être supérieure à 5 mm (3/16") par passe.

⚠ ATTENTION : Si vous souhaitez effectuer un rainurage de plus de 15 mm (9/16") de profondeur avec une fraise de 8 mm (5/16") de diamètre ou de plus de 5 mm (3/16") de profondeur avec une fraise de 20 mm (13/16") de diamètre, effectuez plusieurs passes en augmentant progressivement la profondeur de la fraise.

Bloc butoir

Le bloc butoir est pourvu de trois boulons hexagonaux de réglage se soulevant ou s'abaissant de 0,8 mm (environ 1/32") par tour. Vous pouvez facilement obtenir trois profondeurs de coupe différentes à l'aide de ces boulons hexagonaux de réglage sans avoir à régler à nouveau la tige d'arrêt.

► **Fig.4:** 1. Index de profondeur 2. Vis 3. Tige d'arrêt 4. Boulon hexagonal de réglage 5. Bloc butoir

- Réglez le boulon hexagonal le plus bas pour obtenir la profondeur de coupe la plus profonde en suivant la méthode indiquée dans « Réglage de la profondeur de la coupe ».
- Réglez les deux boulons hexagonaux restants pour obtenir des profondeurs de coupe moins profondes. Les différences de hauteur entre ces boulons hexagonaux sont égales aux différences entre les profondeurs de coupe.
- Tournez les boulons hexagonaux pour régler la profondeur. Le bloc butoir est également pratique pour effectuer trois passes en augmentant progressivement la profondeur de la fraise pour obtenir des rainures profondes.

NOTE : Lorsque vous utilisez une fraise d'une longueur totale de 60 mm (2-3/8") ou plus, ou une longueur d'arête de 35 mm (1-3/8") ou plus, la profondeur de coupe ne peut pas être réglée comme indiqué précédemment. Procédez comme suit pour la régler :

- Desserrez le levier de verrouillage et réglez soigneusement la partie saillante de la fraise sous le socle de l'outil à la profondeur de coupe souhaitée en déplaçant le corps de l'outil en haut ou en bas.
- Resserrez le levier de verrouillage pour verrouiller le corps de l'outil à la profondeur de coupe. Maintenez le corps de l'outil verrouillé sur cette position pendant l'utilisation.

Étant donné que la fraise dépasse toujours du socle de l'outil, soyez prudent lorsque vous manipulez l'outil.

Réglage du levier de verrouillage

La position verrouillée du levier de verrouillage est réglable. Pour la régler, retirez la vis qui retient le levier de verrouillage. Le levier de verrouillage se libérera. Réglez le levier de verrouillage à l'angle souhaité. Après le réglage, serrez le levier de verrouillage dans le sens des aiguilles d'une montre.

► **Fig.5:** 1. Levier de verrouillage 2. Vis

Fonctionnement de l'interrupteur

⚠ ATTENTION : Avant de brancher l'outil, assurez-vous toujours que la gâchette fonctionne correctement et revient en position d'arrêt une fois relâchée.

Il suffit d'enclencher la gâchette pour démarrer l'outil. Pour arrêter l'outil, relâchez la gâchette.

► **Fig.6:** 1. Gâchette

ASSEMBLAGE

⚠ ATTENTION : Avant d'effectuer toute intervention sur l'outil, assurez-vous toujours qu'il est hors tension et débranché.

Pose ou dépose de la fraise de défonceuse

Insérez la fraise à fond dans le cône de serrage et serrez solidement l'écrou de serrage avec les deux clés. Utilisez un cône de serrage dont la taille correspond à celle de la fraise que vous prévoyez d'utiliser.

► Fig.7

Pour retirer la fraise, effectuez la procédure de pose dans l'ordre inverse.

⚠ ATTENTION : Installez solidement la fraise de défonceuse. Veillez toujours à utiliser uniquement la clé fournie avec l'outil. Une fraise de défonceuse pas assez ou trop serrée représente un danger.

⚠ ATTENTION : Ne serrez pas l'écrou de serrage sans insérer de fraise. Vous risqueriez de casser le cône de serrage.

Changement du cône de mandrin

Propre au pays

REMARQUE : Utilisez un cône de mandrin dont la taille correspond à celle de la fraise que vous utiliserez.

REMARQUE : Ne serrez pas l'écrou de mandrin sans poser de fraise sous peine de fissurer le cône de mandrin.

► Fig.8: 1. Cône de mandrin 2. Écrou de mandrin
3. Fraise

Pour changer le cône de mandrin, desserrez l'écrou de mandrin et retirez-le. Remplacez le cône de mandrin en place par le cône de mandrin souhaité. Remettez en place l'écrou de mandrin.

UTILISATION

Placez le socle de l'outil sur la pièce à couper sans que la fraise de défonceuse touche quoi que ce soit. Mettez ensuite l'outil sous tension et attendez que la fraise de défonceuse ait atteint sa pleine vitesse. Abaissez le corps de l'outil et faites avancer l'outil sur la surface de la pièce, en maintenant le socle de l'outil au ras de la pièce et en progressant régulièrement jusqu'à ce que la coupe soit terminée.

Lorsque vous faites des coupes sur des bords, la surface de la pièce doit être du côté gauche de la fraise de défonceuse dans le sens d'avance.

► Fig.9: 1. Pièce 2. Sens de rotation de la fraise
3. Vue du haut de l'outil 4. Sens d'avance

NOTE : Si vous déplacez votre outil trop vite vers l'avant, vous risquez d'obtenir une coupe de qualité médiocre et d'endommager la fraise de défonceuse ou le moteur. Si vous déplacez l'outil trop lentement vers l'avant, vous risquez de brûler la pièce et de gâcher la coupe. La vitesse d'avance adéquate dépend du calibre de la fraise de défonceuse, de la nature de la pièce et de la profondeur de coupe.

Avant de commencer votre coupe sur la pièce, nous vous conseillons de faire un essai sur un morceau de chute de bois. Cela vous montrera exactement l'allure qu'aura votre coupe et vous permettra de vérifier les dimensions.

NOTE : Lorsque vous utilisez le guide de coupe rectiligne ou le guide d'affleurage, veillez à l'installer sur le côté droit dans le sens d'avance. Cela vous aidera à le garder bien en contact avec le côté de la pièce.

► Fig.10: 1. Sens d'avance 2. Sens de rotation de la fraise 3. Pièce 4. Guide de coupe rectiligne

Guide de coupe rectiligne

Le guide de coupe rectiligne est efficace pour obtenir des coupes droites lors du chanfreinage ou du rainurage.

► Fig.11

Pour fixer le guide de coupe rectiligne, insérez les barres de guidage dans les orifices sur le socle de l'outil. Réglez la distance entre la fraise et le guide de coupe rectiligne. À la distance souhaitée, serrez les boulons à oreille pour fixer le guide de coupe rectiligne en position. Lors de la coupe, déplacez l'outil avec le guide de coupe rectiligne bien en contact avec le côté de la pièce.

► Fig.12: 1. Barre de guidage 2. Vis de serrage
3. Guide de coupe rectiligne

Si la distance (A) entre le côté de la pièce et la position de coupe est trop importante pour le guide de coupe rectiligne ou si le côté de la pièce n'est pas droit, le guide de coupe rectiligne ne peut pas être utilisé. Le cas échéant, fixez fermement une planche droite sur la pièce et utilisez-la comme guide contre le socle de l'affleureuse. Faites avancer l'outil dans le sens de la flèche.

► Fig.13

Ensemble du raccord à poussière (propre au pays)

Utilisez le raccord à poussière pour aspirer la poussière. Installez le raccord à poussière sur le socle de l'outil au moyen de la vis à oreilles de sorte que la partie saillante sur le raccord à poussière s'insère dans l'entaille du socle de l'outil. Puis, raccordez un aspirateur au raccord à poussière.

► Fig.14: 1. Raccord à poussière 2. Vis à oreilles

► Fig.15

ENTRETIEN

⚠ ATTENTION : Assurez-vous toujours que l'outil est hors tension et débranché avant d'y effectuer tout travail d'inspection ou d'entretien.

REMARQUE : N'utilisez jamais d'essence, benzène, diluant, alcool ou autre produit similaire. Cela risquerait de provoquer la décoloration, la déformation ou la fissuration de l'outil.

Pour assurer la SÉCURITÉ et la FIABILITÉ du produit, toute réparation, tout travail d'entretien ou de réglage doivent être effectués par un centre d'entretien Makita agréé, avec des pièces de rechange Makita.

ACCESSOIRES EN OPTION

⚠ ATTENTION : Ces accessoires ou pièces complémentaires sont recommandés pour l'utilisation avec l'outil Makita spécifié dans ce mode d'emploi. L'utilisation de tout autre accessoire ou pièce complémentaire peut comporter un risque de blessure. N'utilisez les accessoires ou pièces complémentaires qu'aux fins auxquelles ils ont été conçus.

Pour obtenir plus de détails sur ces accessoires, contactez votre centre d'entretien local Makita.

- Fraises droites et fraises pour rainure
- Fraises pour usiner les bords
- Fraises pour découpe de stratifié

NOTE : Il se peut que certains éléments de la liste soient compris dans l'emballage de l'outil en tant qu'accessoires standard. Ils peuvent varier d'un pays à l'autre.

Fraises de défonceuse

Fraise droite

► Fig.16

Unité : mm

D	A	L1	L2
6	20	50	15
1/4"			
8	8	60	25
6	8	50	18
1/4"			
6	6	50	18
1/4"			

Fraise à rainurer en « U »

► Fig.17

Unité : mm

D	A	L1	L2	R
6	6	50	18	3

Fraise à rainurer en « V »

► Fig.18

Unité : mm

D	A	L1	L2	θ
1/4"	20	50	15	90°

Fraise à affleurer à pointe de foret

► Fig.19

Unité : mm

D	A	L1	L2	L3
8	8	60	20	35
6	6	60	18	28

Fraise à affleurer à pointe de foret combinaison double

► Fig.20

Unité : mm

D	A	L1	L2	L3	L4
8	8	80	55	20	25
6	6	70	40	12	14

Fraise quart de rond

► Fig.21

Unité : mm

D	A1	A2	L1	L2	L3	R
6	25	9	48	13	5	8
6	20	8	45	10	4	4

Fraise à chanfreiner

► Fig.22

Unité : mm

D	A	L1	L2	L3	θ
6	23	46	11	6	30°
6	20	50	13	5	45°
6	20	49	14	2	60°

Fraise pour panneau mouluré en cavet

► Fig.23

Unité : mm

D	A	L1	L2	R
6	20	43	8	4
6	25	48	13	8

Fraise à affleurer à roulement

► Fig.24

Unité : mm

D	A	L1	L2
6	10	50	20
1/4"			

Fraise quart de rond à roulement

► Fig.25

Unité : mm

D	A1	A2	L1	L2	L3	R
6	15	8	37	7	3,5	3
6	21	8	40	10	3,5	6
1/4"	21	8	40	10	3,5	6

Fraise à chanfreiner à roulement

► Fig.26

Unité : mm

D	A1	A2	L1	L2	θ
6	26	8	42	12	45°
1/4"					
6	20	8	41	11	60°

Fraise à moulurer à roulement

► Fig.27

Unité : mm

D	A1	A2	A3	L1	L2	L3	R
6	20	12	8	40	10	5,5	4
6	26	12	8	42	12	4,5	7

Fraise pour panneau mouluré en cavet à roulement

► Fig.28

Unité : mm

D	A1	A2	A3	A4	L1	L2	L3	R
6	20	18	12	8	40	10	5,5	3
6	26	22	12	8	42	12	5	5

Fraise à doucine à roulement

► Fig.29

Unité : mm

D	A1	A2	L1	L2	L3	R1	R2
6	20	8	40	10	4,5	2,5	4,5
6	26	8	42	12	4,5	3	6

TECHNISCHE DATEN

Modell:	M3601
Spannzangenfutterkapazität	6 mm, 1/4" und/oder 8 mm
Hubhöhe	0 - 35 mm
Leerlaufdrehzahl	27.000 min ⁻¹
Gesamthöhe	218 mm
Nettogewicht	2,7 kg
Sicherheitsklasse	Ⓜ/II

- Wir behalten uns vor, Änderungen der technischen Daten im Zuge der Entwicklung und des technischen Fortschritts ohne vorherige Ankündigung vorzunehmen.
- Die technischen Daten können von Land zu Land unterschiedlich sein.
- Gewicht nach EPTA-Verfahren 01/2014

Vorgesehene Verwendung

Das Werkzeug ist zum Bündigräsen und Profildrehen von Holz, Kunststoff und ähnlichen Materialien vorgesehen.

Stromversorgung

Das Werkzeug sollte nur an eine Stromquelle angeschlossen werden, deren Spannung mit der Angabe auf dem Typenschild übereinstimmt, und kann nur mit Einphasen-Wechselstrom betrieben werden. Diese sind doppelt schutzisoliert und können daher auch an Steckdosen ohne Erdleiter verwendet werden.

Geräusch

Typischer A-bewerteter Geräuschpegel ermittelt gemäß EN62841-2-17:

Schalldruckpegel (L_{pA}): 89 dB (A)

Schallleistungspegel (L_{WA}): 100 dB (A)

Messunsicherheit (K): 3 dB (A)

HINWEIS: Der (Die) angegebene(n)

Schallemissionswert(e) wurde(n) im Einklang mit der Standardprüfmethode gemessen und kann (können) für den Vergleich zwischen Werkzeugen herangezogen werden.

HINWEIS: Der (Die) angegebene(n)

Schallemissionswert(e) kann (können) auch für eine Vorbewertung des Gefährdungsgrads verwendet werden.

⚠️ WARNUNG: Einen Gehörschutz tragen.

⚠️ WARNUNG: Die Schallemission während der tatsächlichen Benutzung des Elektrowerkzeugs kann je nach der Benutzungsweise des Werkzeugs, und speziell je nach der Art des bearbeiteten Werkstücks, von dem (den) angegebenen Wert(en) abweichen.

⚠️ WARNUNG: Identifizieren Sie Sicherheitsmaßnahmen zum Schutz des Benutzers anhand einer Schätzung des Gefährdungsgrads unter den tatsächlichen Benutzungsbedingungen (unter Berücksichtigung aller Phasen des Arbeitszyklus, wie z. B. Ausschalt- und Leerlaufzeiten des Werkzeugs zusätzlich zur Betriebszeit).

Schwingungen

Schwingungsgesamtwert (Drei-Achsen-Vektorsumme) ermittelt gemäß EN62841-2-17:

Arbeitsmodus: Nutenfräsen in MDF
Schwingungsemission (a_n): 7,9 m/s²

Messunsicherheit (K): 1,6 m/s²

HINWEIS: Der (Die) angegebene(n) Vibrationsgesamtwert(e) wurde(n) im Einklang mit der Standardprüfmethode gemessen und kann (können) für den Vergleich zwischen Werkzeugen herangezogen werden.

HINWEIS: Der (Die) angegebene(n) Vibrationsgesamtwert(e) kann (können) auch für eine Vorbewertung des Gefährdungsgrads verwendet werden.

⚠️ WARNUNG: Die Vibrationsemission während der tatsächlichen Benutzung des Elektrowerkzeugs kann je nach der Benutzungsweise des Werkzeugs, und speziell je nach der Art des bearbeiteten Werkstücks, von dem (den) angegebenen Emissionswert(en) abweichen.

⚠️ WARNUNG: Identifizieren Sie Sicherheitsmaßnahmen zum Schutz des Benutzers anhand einer Schätzung des Gefährdungsgrads unter den tatsächlichen Benutzungsbedingungen (unter Berücksichtigung aller Phasen des Arbeitszyklus, wie z. B. Ausschalt- und Leerlaufzeiten des Werkzeugs zusätzlich zur Betriebszeit).

EG-Konformitätserklärung

Nur für europäische Länder

Die EG-Konformitätserklärung ist als Anhang A in dieser Bedienungsanleitung enthalten.

SICHERHEITSWARNUNGEN

Allgemeine Sicherheitswarnungen für Elektrowerkzeuge

⚠️ WARNUNG: Lesen Sie alle mit diesem Elektrowerkzeug gelieferten Sicherheitswarnungen, Anweisungen, Abbildungen und technischen Daten durch. Eine Missachtung der unten aufgeführten Anweisungen kann zu einem elektrischen Schlag, Brand und/oder schweren Verletzungen führen.

Bewahren Sie alle Warnungen und Anweisungen für spätere Bezugnahme auf.

Der Ausdruck „Elektrowerkzeug“ in den Warnhinweisen bezieht sich auf Ihr mit Netzstrom (mit Kabel) oder Akku (ohne Kabel) betriebenes Elektrowerkzeug.

Sicherheitswarnungen für Oberfräse

1. Halten Sie das Elektrowerkzeug nur an den isolierten Griffflächen, weil das Messer das eigene Kabel berühren kann. Bei Kontakt mit einem Strom führenden Kabel können die freilegenden Metallteile des Elektrowerkzeugs ebenfalls Strom führend werden, so dass der Benutzer einen elektrischen Schlag erleiden kann.
2. Verwenden Sie Klemmen oder eine andere praktische Methode, um das Werkstück auf einer stabilen Unterlage zu sichern und abzustützen. Wenn Sie das Werkstück nur mit der Hand oder gegen Ihren Körper halten, befindet es sich in einer instabilen Lage, die zum Verlust der Kontrolle führen kann.
3. Der Einsatzschaft des Messers muss mit der dafür ausgelegten Spannzange übereinstimmen.
4. Verwenden Sie nur Einsätze, deren Drehzahl mindestens der auf dem Werkzeug angegebenen Maximaldrehzahl entspricht.
5. Tragen Sie bei längeren Betriebszeitspannen einen Gehörschutz.
6. Behandeln Sie die Oberfräseneinsätze mit größter Sorgfalt.
7. Überprüfen Sie den Oberfräseneinsatz vor dem Betrieb sorgfältig auf Risse oder Beschädigung. Wechseln Sie einen gerissenen oder beschädigten Einsatz unverzüglich aus.
8. Vermeiden Sie das Schneiden von Nägeln. Untersuchen Sie das Werkstück sorgfältig auf Nägel, und entfernen Sie diese vor der Bearbeitung.
9. Halten Sie das Werkzeug mit beiden Händen fest.
10. Halten Sie Ihre Hände von rotierenden Teilen fern.
11. Vergewissern Sie sich vor dem Einschalten des Werkzeugs, dass der Oberfräseneinsatz nicht das Werkstück berührt.

12. Lassen Sie das Werkzeug vor der eigentlichen Bearbeitung eines Werkstücks eine Weile laufen. Achten Sie auf Vibrationen oder Taumelbewegungen, die auf einen falsch montierten Einsatz hindeuten können.
13. Achten Sie sorgfältig auf die Drehrichtung und die Vorschubrichtung des Oberfräseneinsatzes.
14. Lassen Sie das Werkzeug nicht unbeaufsichtigt laufen. Benutzen Sie das Werkzeug nur im handgeführten Einsatz.
15. Schalten Sie das Werkzeug stets aus, und warten Sie, bis der Oberfräseneinsatz zum vollständigen Stillstand kommt, bevor Sie ihn aus dem Werkstück herausnehmen.
16. Vermeiden Sie eine Berührung des Oberfräseneinsatzes unmittelbar nach der Bearbeitung, weil er dann noch sehr heiß ist und Hautverbrennungen verursachen kann.
17. Beschmieren Sie die Grundplatte nicht achtlos mit Verdüner, Benzin, Öl oder dergleichen. Diese Stoffe können Risse in der Grundplatte verursachen.
18. Manche Materialien können giftige Chemikalien enthalten. Treffen Sie Vorsichtsmaßnahmen, um das Einatmen von Arbeitsstaub und Hautkontakt zu verhindern. Befolgen Sie die Sicherheitsdaten des Materiallieferanten.
19. Verwenden Sie stets die korrekte Staubschutz-/Atemmaske für das jeweilige Material und die Anwendung.

BEWAHREN SIE DIESE ANLEITUNG AUF.

⚠️ WARNUNG: Lassen Sie sich NICHT durch Bequemlichkeit oder Vertrautheit mit dem Produkt (durch wiederholten Gebrauch erworben) von der strikten Einhaltung der Sicherheitsregeln für das vorliegende Produkt abhalten. MISSBRAUCH oder Missachtung der Sicherheitsvorschriften in dieser Anleitung können schwere Personenschäden verursachen.

FUNKTIONSBESCHREIBUNG

⚠ VORSICHT: Vergewissern Sie sich vor jeder Einstellung oder Funktionsprüfung des Werkzeugs stets, dass es ausgeschaltet und vom Stromnetz getrennt ist.

Einstellen der Frästiefe

1. Stellen Sie das Werkzeug auf eine ebene Fläche. Lösen Sie die Schraube, mit der die Anschlagstange befestigt ist.

► **Abb.1:** 1. Anschlagstange 2. Schraube

2. Lösen Sie den Verriegelungshebel, und senken Sie den Fräskorb ab, bis der Oberfräseinsatz die ebene Fläche leicht berührt. Ziehen Sie den Verriegelungshebel an, um den Fräskorb zu verriegeln.

► **Abb.2:** 1. Verriegelungshebel 2. Schraube

3. Senken Sie die Anschlagstange ab, bis sie die Sechskant-Einstellschraube berührt. Richten Sie den Tiefenzeiger auf den Teilstrich „0“ aus.

► **Abb.3:** 1. Tiefenzeiger 2. Schraube
3. Anschlagstange 4. Sechskant-Einstellschraube 5. Anschlagblock

4. Heben Sie die Anschlagstange an, bis die gewünschte Frästiefe erreicht ist. Die Frästiefe wird durch den Tiefenzeiger auf der Skala (1 mm pro Teilstrich) angezeigt. Ziehen Sie dann die Schraube fest, um die Anschlagstange zu sichern.

5. Sie können die vorbestimmte Frästiefe erhalten, indem Sie den Verriegelungshebel lösen und dann den Fräskorb absenken, bis die Anschlagstange die Sechskant-Einstellschraube berührt.

⚠ VORSICHT: Da übermäßiges Fräsen eine Überlastung des Motors oder schwierige Kontrolle des Werkzeugs verursachen kann, sollte die Frästiefe nicht mehr als 15 mm (9/16") pro Durchgang betragen, wenn Nuten mit einem Einsatz von 8 mm (5/16") Durchmesser gefräst werden.

⚠ VORSICHT: Beim Fräsen von Nuten mit einem Einsatz von 20 mm (13/16") Durchmesser sollte die Frästiefe nicht mehr als 5 mm (3/16") pro Durchgang betragen.

⚠ VORSICHT: Wenn Sie Nuten von mehr als 15 mm (9/16") Tiefe mit einem Einsatz von 8 mm (5/16") Durchmesser oder mehr als 5 mm (3/16") Tiefe mit einem Einsatz von 20 mm (13/16") Durchmesser fräsen wollen, führen Sie mehrere Durchgänge mit fortschreitend tieferen Fräseinstellungen durch.

Anschlagblock

Der Anschlagblock weist drei Sechskant-Einstellschrauben auf, die sich um 0,8 mm (ca. 1/32") pro Umdrehung heben oder senken. Mithilfe dieser Sechskant-Einstellschrauben können Sie bequem drei unterschiedliche Schnitttiefen erhalten, ohne die Anschlagstange neu einstellen zu müssen.

► **Abb.4:** 1. Tiefenzeiger 2. Schraube
3. Anschlagstange 4. Sechskant-Einstellschraube 5. Anschlagblock

1. Stellen Sie die unterste Sechskantschraube nach der Methode „Einstellen der Frästiefe“ ein, um die größte Frästiefe zu erhalten.

2. Stellen Sie die beiden übrigen Sechskantschrauben ein, um flachere Frästiefen zu erhalten. Die Höhenunterschiede dieser Sechskantschrauben entsprechen den Frästiefenunterschieden.

3. Drehen Sie die Sechskantschrauben zum Einstellen der Tiefe. Der Anschlagblock ist auch praktisch, um drei Durchgänge mit fortschreitend tieferen Fräseinstellungen durchzuführen, wenn tiefe Nuten gefräst werden.

HINWEIS: Wenn Sie einen Einsatz verwenden, der eine Gesamtlänge von 60 mm (2-3/8") oder mehr, oder eine Kantenlänge von 35 mm (1-3/8") oder mehr besitzt, kann die Frästiefe nicht so eingestellt werden, wie vorher beschrieben. Gehen Sie zum Einstellen folgendermaßen vor:

1. Lösen Sie den Verriegelungshebel, und stellen Sie den Fräserüberstand unter der Grundplatte auf die gewünschte Frästiefe ein, indem Sie den Fräskorb anheben oder absenken.
2. Ziehen Sie den Verriegelungshebel wieder an, um den Fräskorb auf dieser Frästiefe zu verriegeln. Halten Sie den Fräskorb während der Benutzung auf dieser Position verriegelt.

Da der Einsatz immer von der Grundplatte übersteht, lassen Sie bei der Handhabung des Werkzeugs Vorsicht walten.

Einstellen des Verriegelungshebels

Die verriegelte Position des Verriegelungshebels ist einstellbar. Um sie einzustellen, entfernen Sie die Befestigungsschraube des Verriegelungshebels. Der Verriegelungshebel löst sich. Stellen Sie den Verriegelungshebel auf den gewünschten Winkel ein. Ziehen Sie den Verriegelungshebel nach der Einstellung im Uhrzeigersinn fest.

► **Abb.5:** 1. Verriegelungshebel 2. Schraube

Schalterfunktion

⚠ VORSICHT: Vergewissern Sie sich vor dem Anschließen des Werkzeugs an das Stromnetz stets, dass der Ein-Aus-Schalter ordnungsgemäß funktioniert und beim Loslassen in die AUS-Stellung zurückkehrt.

Zum Einschalten des Werkzeugs betätigen Sie einfach den Ein-Aus-Schalter. Zum Ausschalten lassen Sie den Ein-Aus-Schalter los.

► **Abb.6:** 1. Ein-Aus-Schalter

MONTAGE

⚠ VORSICHT: Vergewissern Sie sich vor der Ausführung von Arbeiten am Werkzeug stets, dass es ausgeschaltet und vom Stromnetz getrennt ist.

Montage und Demontage des Oberfräseneinsatzes

Führen Sie den Einsatz bis zum Anschlag in den Spannzangenkonus ein, und ziehen Sie die Spannzangenmutter mit den zwei Schraubenschlüsseln fest. Verwenden Sie einen Spannzangenkonus der korrekten Größe für den zu benutzenden Einsatz.

► **Abb.7**

Zum Abnehmen des Einsatzes wenden Sie das Montageverfahren umgekehrt an.

⚠ VORSICHT: Installieren Sie den Oberfräseneinsatz sicher. Verwenden Sie stets nur den mit dem Werkzeug gelieferten Schraubenschlüssel. Ein loser oder zu fest angezogener Oberfräseneinsatz kann gefährlich sein.

⚠ VORSICHT: Ziehen Sie die Spannzangenmutter nicht ohne eingefügten Einsatz an. Dies kann dazu führen, dass der Spannzangenkonus bricht.

Austauschen des Spannzangenkonus

Länderspezifisch

ANMERKUNG: Verwenden Sie einen Spannzangenkonus der korrekten Größe für den zu benutzenden Einsatz.

ANMERKUNG: Ziehen Sie die Spannzangenmutter nicht ohne eingesetzten Einsatz an, da sonst der Spannkegel brechen kann.

► **Abb.8:** 1. Spannkegel 2. Spannzangenmutter 3. Einsatz

Zum Austauschen des Spannzangenkonus lösen und entfernen Sie die Spannzangenmutter. Ersetzen Sie den montierten Spannzangenkonus durch den gewünschten Spannzangenkonus. Bringen Sie die Spannzangenmutter wieder an.

BETRIEB

Setzen Sie die Grundplatte auf das zu bearbeitende Werkstück auf, ohne dass der Oberfräseneinsatz mit dem Werkstück in Berührung kommt. Schalten Sie dann das Werkzeug ein, und warten Sie, bis der Oberfräseneinsatz die volle Drehzahl erreicht hat. Senken Sie den Fräskorb ab, und schieben Sie das Werkzeug bei flach aufliegender Grundplatte gleichmäßig über die Werkstückoberfläche vor, bis der Schnitt ausgeführt ist.

Beim Kantenfräsen sollte die Werkstückoberfläche auf der linken Seite des Oberfräseneinsatzes in Vorschubrichtung liegen.

► **Abb.9:** 1. Werkstück 2. Einsatz-Drehrichtung 3. Ansicht von der Oberseite des Werkzeugs 4. Vorschubrichtung

HINWEIS: Zu schnelles Vorschieben des Werkzeugs kann schlechte Schnittqualität oder Beschädigung des Oberfräseneinsatzes oder Motors zur Folge haben. Zu langsames Vorschieben des Werkzeugs kann Verbrennung oder Beschädigung des Schnitts zur Folge haben. Die korrekte Vorschubgeschwindigkeit hängt von der Größe des Oberfräseneinsatzes, der Art des Werkstücks und der Frästiefe ab.

Bevor Sie den Schnitt am tatsächlichen Werkstück ausführen, ist es ratsam, einen Probeschnitt in einem Stück Abfallholz zu machen. Dies gibt Ihnen die Möglichkeit, das genaue Aussehen des Schnitts festzustellen und die Abmessungen zu überprüfen.

HINWEIS: Wenn Sie die Geradföhrung oder die Fräsenföhrung verwenden, halten Sie die Vorrichtung auf der rechten Seite in Vorschubrichtung. Dies trägt dazu bei, sie bündig mit der Seite des Werkstücks zu halten.

► **Abb.10:** 1. Vorschubrichtung 2. Einsatz-Drehrichtung 3. Werkstück 4. Geradföhrung

Geradföhrung

Die Geradföhrung ist effektiv, um gerade Schnitte beim Anfasen oder Rillenfräsen auszuführen.

► **Abb.11**

Zum Montieren der Geradföhrung führen Sie die Führungsstangen in die Löcher der Grundplatte ein. Stellen Sie den Abstand zwischen Einsatz und Geradföhrung ein. Ziehen Sie die Flügelschrauben am gewünschten Abstand fest, um die Geradföhrung zu sichern. Schieben Sie das Werkzeug beim Fräsen so vor, dass die Geradföhrung an der Seite des Werkstücks anliegt.

► **Abb.12:** 1. Führungsstange 2. Klemmschraube 3. Geradföhrung

Falls der Abstand (A) zwischen der Seite des Werkstücks und der Fräseposition zu breit für die Geradföhrung ist, oder die Seite des Werkstücks nicht gerade ist, kann die Geradföhrung nicht benutzt werden. Klemmen Sie in diesem Fall ein gerades Brett am Werkstück fest, und benutzen Sie dieses als Führung gegen den Frästisch. Schieben Sie das Werkzeug in Pfeilrichtung vor.

► **Abb.13**

Absaugstutzensatz (länderspezifisch)

Benutzen Sie den Absaugstutzen für Staubabsaugung. Befestigen Sie den Absaugstutzen mit der Rändelschraube so an der Grundplatte, dass der Vorsprung des Absaugstutzens in der Aussparung der Grundplatte sitzt. Schließen Sie dann ein Sauggerät an den Absaugstutzen an.

► **Abb.14:** 1. Absaugstutzen 2. Flügelschraube

► **Abb.15**

WARTUNG

⚠ VORSICHT: Vergewissern Sie sich vor der Durchführung von Überprüfungen oder Wartungsarbeiten des Werkzeugs stets, dass es ausgeschaltet und vom Stromnetz getrennt ist.

ANMERKUNG: Verwenden Sie auf keinen Fall Benzin, Waschbenzin, Verdünner, Alkohol oder dergleichen. Solche Mittel können Verfärbung, Verformung oder Rissbildung verursachen.

Um die SICHERHEIT und ZUVERLÄSSIGKEIT dieses Produkts zu gewährleisten, sollten Reparaturen und andere Wartungs- oder Einstellarbeiten nur von Makita-Vertragswerkstätten oder Makita-Kundendienstzentren unter ausschließlicher Verwendung von Makita-Originalersatzteilen ausgeführt werden.

SONDERZUBEHÖR

⚠ VORSICHT: Die folgenden Zubehörteile oder Vorrichtungen werden für den Einsatz mit dem in dieser Anleitung beschriebenen Makita-Werkzeug empfohlen. Die Verwendung anderer Zubehörteile oder Vorrichtungen kann eine Verletzungsgefahr darstellen. Verwenden Sie Zubehörteile oder Vorrichtungen nur für ihren vorgesehenen Zweck.

Wenn Sie weitere Einzelheiten bezüglich dieser Zubehörteile benötigen, wenden Sie sich bitte an Ihre Makita-Kundendienststelle.

- Gerad- und Nutenfräser
- Kantenfräser
- Laminatfräser

HINWEIS: Manche Teile in der Liste können als Standardzubehör im Werkzeugsatz enthalten sein. Sie können von Land zu Land unterschiedlich sein.

Oberfräseneinsätze

Geradfräser

► **Abb.16**

Einheit: mm

D	A	L1	L2
6	20	50	15
1/4"			
8	8	60	25
6	8	50	18
1/4"			
6	6	50	18
1/4"			

„U“-Nutenfräser

► **Abb.17**

Einheit: mm

D	A	L1	L2	R
6	6	50	18	3

„V“-Nutenfräser

► **Abb.18**

Einheit: mm

D	A	L1	L2	θ
1/4"	20	50	15	90°

Bohrspitzen-Bündigfräser

► **Abb.19**

Einheit: mm

D	A	L1	L2	L3
8	8	60	20	35
6	6	60	18	28

Bohrspitzen-Doppelbündigfräser

► **Abb.20**

Einheit: mm

D	A	L1	L2	L3	L4
8	8	80	55	20	25
6	6	70	40	12	14

Eckenrundungsfräser

► Abb.21

Einheit: mm

D	A1	A2	L1	L2	L3	R
6	25	9	48	13	5	8
6	20	8	45	10	4	4

Fasenfräser

► Abb.22

Einheit: mm

D	A	L1	L2	L3	θ
6	23	46	11	6	30°
6	20	50	13	5	45°
6	20	49	14	2	60°

Hohlkehlen-Abrundfräser

► Abb.23

Einheit: mm

D	A	L1	L2	R
6	20	43	8	4
6	25	48	13	8

Kugellager-Bündigfräser

► Abb.24

Einheit: mm

D	A	L1	L2
6	10	50	20
1/4"			

Kugellager-Eckenrundungsfräser

► Abb.25

Einheit: mm

D	A1	A2	L1	L2	L3	R
6	15	8	37	7	3,5	3
6	21	8	40	10	3,5	6
1/4"	21	8	40	10	3,5	6

Kugellager-Fasenfräser

► Abb.26

Einheit: mm

D	A1	A2	L1	L2	θ
6	26	8	42	12	45°
1/4"					
6	20	8	41	11	60°

Kugellager-Abrundfräser

► Abb.27

Einheit: mm

D	A1	A2	A3	L1	L2	L3	R
6	20	12	8	40	10	5,5	4
6	26	12	8	42	12	4,5	7

Kugellager-Hohlkehlen-Abrundfräser

► Abb.28

Einheit: mm

D	A1	A2	A3	A4	L1	L2	L3	R
6	20	18	12	8	40	10	5,5	3
6	26	22	12	8	42	12	5	5

Kugellager-Kamies-Profilfräser

► Abb.29

Einheit: mm

D	A1	A2	L1	L2	L3	R1	R2
6	20	8	40	10	4,5	2,5	4,5
6	26	8	42	12	4,5	3	6

DATI TECNICI

Modello:	M3601
Capacità mandrino a pinza	6 mm, 1/4" e/o 8 mm
Capacità di tuffo	0 - 35 mm
Velocità a vuoto	27.000 min ⁻¹
Altezza complessiva	218 mm
Peso netto	2,7 kg
Classe di sicurezza	⊠/II

- In conseguenza del nostro programma di ricerca e sviluppo continui, i dati tecnici nel presente manuale sono soggetti a modifiche senza preavviso.
- I dati tecnici possono variare da nazione a nazione.
- Peso in base alla procedura EPTA 01/2014

Utilizzo previsto

Questo utensile è destinato alla rifilatura a raso e alla creazione di profili di legno, plastica e materiali analoghi.

Alimentazione

L'utensile deve essere collegato a una fonte di alimentazione con la stessa tensione indicata sulla targhetta del nome, e può funzionare solo a corrente alternata monofase. L'utensile è dotato di doppio isolamento, per cui può essere utilizzato con prese elettriche sprovviste di messa a terra.

Rumore

Livello tipico di rumore pesato A determinato in base allo standard EN62841-2-17:

Livello di pressione sonora (L_{pA}): 89 dB (A)

Livello di potenza sonora (L_{WA}): 100 dB (A)

Incertezza (K): 3 dB (A)

NOTA: Il valore o i valori dichiarati delle emissioni di rumori sono stati misurati in conformità a un metodo standard di verifica, e possono essere utilizzati per confrontare un utensile con un altro.

NOTA: Il valore o i valori dichiarati delle emissioni di rumori possono venire utilizzati anche per una valutazione preliminare dell'esposizione.

⚠AVVERTIMENTO: Indossare protezioni per le orecchie.

⚠AVVERTIMENTO: L'emissione di rumori durante l'utilizzo effettivo dell'utensile elettrico può variare rispetto al valore o ai valori dichiarati, a seconda dei modi in cui viene utilizzato l'utensile e specialmente a seconda di che tipo di pezzo venga lavorato.

⚠AVVERTIMENTO: Accertarsi di identificare misure di sicurezza per la protezione dell'operatore che siano basate su una stima dell'esposizione nelle condizioni effettive di utilizzo (tenendo conto di tutte le parti del ciclo operativo, ad esempio del numero di spegnimenti dell'utensile e di quando giri a vuoto, oltre al tempo di attivazione).

Vibrazioni

Valore totale delle vibrazioni (somma vettoriale triassiale) determinato in base allo standard EN62841-2-17: Modalità di lavoro: taglio di scanalature in MDF
Emissione di vibrazioni (a_h): 7,9 m/s²
Incertezza (K): 1,6 m/s²

NOTA: Il valore o i valori complessivi delle vibrazioni dichiarati sono stati misurati in conformità a un metodo standard di verifica, e possono essere utilizzati per confrontare un utensile con un altro.

NOTA: Il valore o i valori complessivi delle vibrazioni dichiarati possono venire utilizzati anche per una valutazione preliminare dell'esposizione.

⚠AVVERTIMENTO: L'emissione delle vibrazioni durante l'utilizzo effettivo dell'utensile elettrico può variare rispetto al valore o ai valori dichiarati, a seconda dei modi in cui viene utilizzato l'utensile, specialmente a seconda di che tipo di pezzo venga lavorato.

⚠AVVERTIMENTO: Accertarsi di identificare misure di sicurezza per la protezione dell'operatore che siano basate su una stima dell'esposizione nelle condizioni effettive di utilizzo (tenendo conto di tutte le parti del ciclo operativo, ad esempio del numero di spegnimenti dell'utensile e di quando giri a vuoto, oltre al tempo di attivazione).

Dichiarazione di conformità CE

Solo per i paesi europei

La dichiarazione di conformità CE è inclusa nell'Allegato A al presente manuale di istruzioni.

AVVERTENZE DI SICUREZZA

Avvertenze generali relative alla sicurezza dell'utensile elettrico

⚠AVVERTIMENTO: Leggere tutte le avvertenze di sicurezza, le istruzioni, le illustrazioni e i dati tecnici forniti con il presente utensile elettrico. La mancata osservanza di tutte le istruzioni elencate di seguito potrebbe risultare in scosse elettriche, incendi e/o gravi lesioni personali.

Conservare tutte le avvertenze e le istruzioni come riferimento futuro.

Il termine "utensile elettrico" nelle avvertenze si riferisce sia all'utensile elettrico (cablato) nel funzionamento alimentato da rete elettrica che all'utensile elettrico (a batteria) nel funzionamento alimentato a batteria.

Avvertenze di sicurezza relative alla fresatrice verticale

1. **Mantenere l'utensile elettrico solo per le sue superfici di impugnatura isolate, poiché la lama potrebbe entrare in contatto con il proprio cavo di alimentazione.** Il taglio di un filo elettrico sotto tensione potrebbe mettere sotto tensione le parti metalliche esposte dell'utensile elettrico e dare una scossa elettrica all'operatore.
2. **Utilizzare delle morse o altri sistemi pratici per fissare e sostenere il pezzo in lavorazione su un piano stabile.** Un pezzo in lavorazione mantenuto in mano o contro il proprio corpo resta instabile, e può portare a una perdita di controllo.
3. **Il gambo della fresa da taglio deve corrispondere al mandrino a pinza designato.**
4. **Utilizzare esclusivamente una fresa che abbia una velocità nominale almeno equivalente alla velocità massima indicata sull'utensile.**
5. **Indossare protezioni per l'udito durante periodi prolungati di utilizzo.**
6. **Maneggiare le frese con estrema cautela.**
7. **Prima dell'uso, controllare con attenzione l'eventuale presenza nella fresa di spaccature o danni. Sostituire immediatamente una fresa spaccata o danneggiata.**
8. **Evitare di tagliare chiodi.** Prima dell'uso, ispezionare il pezzo in lavorazione e rimuovere tutti i chiodi.
9. **Mantenere saldamente l'utensile con entrambe le mani.**
10. **Tenere le mani lontane dalle parti rotanti.**
11. **Prima di attivare l'interruttore, accertarsi che la fresa non sia in contatto con il pezzo in lavorazione.**
12. **Prima di utilizzare l'utensile su un pezzo in lavorazione effettivo, lasciarlo funzionare a vuoto per un po' di tempo. Verificare l'eventuale presenza di vibrazioni od oscillazioni che potrebbero indicare una fresa installata in modo errato.**

13. **Fare attenzione alla direzione di rotazione e di avanzamento della fresa.**
14. **Non lasciare l'utensile mentre è in funzione. Far funzionare l'utensile solo tenendo in mano.**
15. **Prima di rimuovere l'utensile dal pezzo in lavorazione, è necessario sempre spegnerlo e attendere che la fresa si sia arrestata completamente.**
16. **Non toccare la fresa subito dopo l'uso; la sua temperatura potrebbe essere estremamente elevata e potrebbe causare ustioni.**
17. **Non macchiare per disattenzione la base dell'utensile con solvente, benzina, olio o prodotti simili. Tali prodotti possono causare spaccature nella base dell'utensile.**
18. **Alcuni materiali contengono sostanze chimiche potenzialmente tossiche. Fare attenzione a evitare l'inalazione delle polveri e il contatto con la pelle. Attenersi ai dati sulla sicurezza del fornitore del materiale.**
19. **Utilizzare sempre la mascherina antipolvere o il respiratore corretti per il materiale e l'applicazione con cui si intende lavorare.**

CONSERVARE LE PRESENTI ISTRUZIONI.

⚠AVVERTIMENTO: NON lasciare che comodià o la familiarità d'utilizzo con il prodotto (acquisita con l'uso ripetuto) sostituisca la stretta osservanza delle norme di sicurezza per il prodotto in questione. L'USO IMPROPRIO o la mancata osservanza delle norme di sicurezza indicate nel presente manuale di istruzioni potrebbero causare gravi lesioni personali.

DESCRIZIONE DELLE FUNZIONI

⚠ATTENZIONE: Accertarsi sempre che l'utensile sia spento e scollegato dall'alimentazione prima di regolare o controllare le sue funzioni.

Regolazione della profondità di taglio

1. Posizionare l'utensile su una superficie piana. Allentare la vite che fissa l'asta del fermo.
► **Fig.1:** 1. Asta del fermo 2. Vite
2. Allentare la leva di blocco e abbassare il corpo dell'utensile fino a quando la fresa sfiora appena la superficie piana. Serrare la leva di blocco per bloccare il corpo dell'utensile.
► **Fig.2:** 1. Leva di blocco 2. Vite
3. Abbassare l'asta del fermo fino a quando entra in contatto con il bullone esagonale di regolazione. Allineare l'indicatore di profondità con la graduazione "0".
► **Fig.3:** 1. Indicatore di profondità 2. Vite 3. Asta del fermo 4. Bullone esagonale di regolazione 5. Gruppo del fermo
4. Alzare l'asta del fermo fino a ottenere la profondità di taglio desiderata. La profondità di taglio viene indicata sulla scala (1 mm per graduazione) dall'indicatore di profondità. Quindi, serrare la vite per fissare l'asta del fermo.
5. È possibile ottenere la profondità di taglio prestabilita allentando la leva di blocco e quindi abbassando il corpo dell'utensile fino a quando l'asta del fermo entra in contatto con il bullone esagonale di regolazione.

⚠ATTENZIONE: Poiché un taglio eccessivo potrebbe causare il sovraccarico del motore o difficoltà nel controllare l'utensile, la profondità di taglio non deve essere superiore a 15 mm (9/16") per passaggio, quando si intende tagliare scanalature con una fresa di 8 mm (5/16") di diametro.

⚠ATTENZIONE: Quando si intende tagliare scanalature con una fresa di 20 mm (13/16") di diametro, la profondità di taglio non deve essere superiore a 5 mm (3/16") per passaggio.

⚠ATTENZIONE: Quando si desidera tagliare scanalature di profondità superiore a 15 mm (9/16") con una fresa di 8 mm (5/16") di diametro o di profondità superiore a 5 mm (3/16") con una fresa di 20 mm (13/16") di diametro, effettuare svariati passaggi impostando profondità progressivamente maggiori della fresa.

Gruppo del fermo

Il gruppo del fermo dispone di tre bulloni esagonali di regolazione che si sollevano o si abbassano di 0,8 mm (circa 1/32") per giro. È possibile ottenere facilmente tre diverse profondità di taglio utilizzando questi bulloni esagonali di regolazione senza dover regolare di nuovo l'asta del fermo.

► **Fig.4:** 1. Indicatore di profondità 2. Vite 3. Asta del fermo 4. Bullone esagonale di regolazione 5. Gruppo del fermo

1. Regolare il bullone esagonale più basso per ottenere la maggiore profondità di taglio, attenendosi al metodo della "Regolazione della profondità di taglio".
2. Regolare i due bulloni esagonali restanti per ottenere profondità di taglio più superficiali. Le differenze di altezza di questi bulloni esagonali sono pari alle differenze nelle profondità di taglio.
3. Ruotare i bulloni esagonali per regolare la profondità. Il gruppo del fermo è comodo anche per effettuare tre passaggi impostando profondità progressivamente maggiori della fresa quando si intende tagliare scanalature profonde.

NOTA: Quando si intende utilizzare una fresa che abbia una lunghezza totale di 60 mm (2-3/8") o superiore, o una lunghezza del bordo di 35 mm (1-3/8") o superiore, non è possibile regolare la profondità di taglio come menzionato in precedenza. Per effettuare la regolazione, procedere nel modo seguente:

1. Allentare la leva di blocco e regolare con cura la sporgenza della fresa al di sotto della base dell'utensile sulla profondità di taglio desiderata, spostando il corpo dell'utensile verso l'alto o verso il basso.
2. Serrare nuovamente la leva di blocco per bloccare il corpo dell'utensile a tale profondità di taglio. Mantenere il corpo dell'utensile bloccato in questa posizione durante l'uso.

Poiché la fresa sporge sempre dalla base dell'utensile, fare attenzione quando si maneggia quest'ultimo.

Regolazione della leva di blocco

La posizione bloccata della leva di blocco è regolabile. Per regolarla, rimuovere la vite che fissa la leva di blocco. La leva di blocco si stacca. Impostare la leva di blocco sull'angolazione desiderata. Dopo la regolazione, serrare la leva di blocco in senso orario.

► **Fig.5:** 1. Leva di blocco 2. Vite

Funzionamento dell'interruttore

⚠ATTENZIONE: Prima di collegare l'utensile all'alimentazione elettrica, verificare sempre che l'interruttore a grilletto funzioni correttamente e torni sulla posizione "OFF" quando viene rilasciato.

Per avviare l'utensile, è sufficiente premere l'interruttore a grilletto. Per arrestarlo, rilasciare l'interruttore a grilletto.

► **Fig.6:** 1. Interruttore a grilletto

MONTAGGIO

⚠ATTENZIONE: Accertarsi sempre che l'utensile sia spento e scollegato dall'alimentazione elettrica, prima di effettuare qualsiasi intervento su di esso.

Installazione o rimozione della fresa

Inserire fino in fondo la fresa nella pinza e serrare saldamente il dado portapinza con due chiavi. Utilizzare la pinza delle dimensioni corrette per la fresa che si intende utilizzare.

► Fig.7

Per rimuovere la fresa, seguire la procedura di installazione al contrario.

⚠ATTENZIONE: Installare saldamente la fresa. Utilizzare esclusivamente la chiave in dotazione con l'utensile. Una fresa allentata o serrata eccessivamente può essere pericolosa.

⚠ATTENZIONE: Non serrare il dado portapinza senza aver inserito una fresa. Questa operazione può portare alla rottura della pinza.

Sostituzione della pinza

Specifica in base alla nazione

AVVISO: Utilizzare la pinza delle dimensioni corrette per la fresa che si intende utilizzare.

AVVISO: Non serrare il dado portapinza senza aver installato una fresa; in caso contrario, si potrebbe causare la rottura della pinza.

► Fig.8: 1. Pinza 2. Dado portapinza 3. Fresa

Per sostituire la pinza, allentare il dado portapinza e rimuoverlo. Sostituire la pinza installata con la pinza desiderata. Reinstallare il dado portapinza.

FUNZIONAMENTO

Sistemare la base dell'utensile sul pezzo in lavorazione da tagliare, evitando che la fresa entri in contatto con il pezzo. Quindi, accendere l'utensile e attendere che la fresa raggiunga la piena velocità. Abbassare il corpo dell'utensile e spostare quest'ultimo in avanti sulla superficie del pezzo in lavorazione, mantenendo la base dell'utensile a filo e avanzando in modo uniforme fino al completamento del taglio.

Quando si intende tagliare bordi, la superficie del pezzo in lavorazione deve trovarsi sul lato sinistro della fresa nella direzione di avanzamento.

► Fig.9: 1. Pezzo in lavorazione 2. Direzione di rotazione della fresa 3. Vista dall'alto dell'utensile 4. Direzione di avanzamento

NOTA: Qualora si faccia avanzare l'utensile troppo velocemente, si potrebbe causare una qualità scadente del taglio, oppure danneggiare la fresa o il motore. Qualora si faccia avanzare l'utensile troppo lentamente, si potrebbe bruciare e rovinare il taglio. La velocità di avanzamento corretto dipende dalle dimensioni della fresa, dal tipo di pezzo in lavorazione e dalla profondità di taglio.

Prima di iniziare il taglio sul pezzo in lavorazione effettivo, è consigliabile effettuare un taglio di prova su un pezzo di legno di scarto. Questa operazione consente di mostrare esattamente l'aspetto che avrà il taglio, nonché di controllare le dimensioni.

NOTA: Quando si intende utilizzare la guida di allineamento o la guida di rifilatura, accertarsi di installarla sul lato destro nella direzione di avanzamento. Questo aiuta a mantenerla a filo con il lato del pezzo in lavorazione.

► Fig.10: 1. Direzione di avanzamento 2. Direzione di rotazione della fresa 3. Pezzo in lavorazione 4. Guida di allineamento

Guida di allineamento

La guida di allineamento può essere utilizzata in modo efficace per ottenere tagli diritti durante la smussatura o la scanalatura.

► Fig.11

Per installare la guida di allineamento, inserire le barre della guida nei fori presenti nella base dell'utensile. Regolare la distanza tra la fresa e la guida di allineamento. Alla distanza desiderata, serrare i bulloni ad alette per fissare la guida di allineamento in sede. Durante il taglio, spostare l'utensile con la guida di allineamento a filo con il lato del pezzo in lavorazione.

► Fig.12: 1. Barra della guida 2. Vite di fissaggio 3. Guida di allineamento

Qualora la distanza (A) tra il lato del pezzo in lavorazione e la posizione di taglio sia troppo ampia per la guida di allineamento, o qualora il lato del pezzo in lavorazione non sia diritto, non è possibile utilizzare la guida di allineamento. In tal caso, fissare saldamente con un morsetto una tavola diritta sul pezzo in lavorazione e utilizzarla come guida contro la base di rifilatura. Far avanzare l'utensile nella direzione indicata dalla freccia.

► Fig.13

Kit bocchetta per le polveri (specifico in base alla nazione)

Per l'estrazione delle polveri, utilizzare la bocchetta per le polveri. Installare la bocchetta per le polveri sulla base dell'utensile utilizzando la vite a testa zigrinata, in modo che la parte sporgente sulla bocchetta per le polveri si inserisca nella tacca presente sulla base dell'utensile. Quindi, collegare un aspirapolvere alla bocchetta per le polveri.

► Fig.14: 1. Bocchetta per le polveri 2. Vite a testa zigrinata

► Fig.15

MANUTENZIONE

⚠ATTENZIONE: Accertarsi sempre che l'utensile sia spento e scollegato dall'alimentazione elettrica, prima di tentare di eseguire interventi di ispezione o manutenzione.

AVVISO: Non utilizzare mai benzina, benzene, solventi, alcol o altre sostanze simili. In caso contrario, si potrebbero causare scolorimenti, deformazioni o crepe.

Per preservare la SICUREZZA e l'AFFIDABILITÀ del prodotto, le riparazioni e qualsiasi altro intervento di manutenzione e di regolazione devono essere eseguiti da un centro di assistenza autorizzato Makita, utilizzando sempre ricambi Makita.

ACCESSORI OPZIONALI

⚠ATTENZIONE: Questi accessori o componenti aggiuntivi sono consigliati per l'uso con l'utensile Makita specificato nel presente manuale. L'impiego di altri accessori o componenti aggiuntivi può costituire un rischio di lesioni alle persone. Utilizzare gli accessori o i componenti aggiuntivi solo per il loro scopo prefissato.

Per ottenere ulteriori dettagli relativamente a questi accessori, rivolgersi a un centro di assistenza Makita.

- Frese per tagli dritti e per creare scanalature
- Frese per creare bordi
- Frese per rifilatura di laminati

NOTA: Alcuni articoli nell'elenco potrebbero essere inclusi nell'imballaggio dell'utensile come accessori standard. Tali articoli potrebbero variare da nazione a nazione.

Frese

Fresa dritta

► Fig.16

Unità: mm

D	A	L1	L2
6	20	50	15
1/4"			
8	8	60	25
6			
1/4"	8	50	18
6			
1/4"	6	50	18
6			

Fresa per scanalatura a "U"

► Fig.17

Unità: mm

D	A	L1	L2	R
6	6	50	18	3

Fresa per scanalatura a "V"

► Fig.18

Unità: mm

D	A	L1	L2	θ
1/4"	20	50	15	90°

Fresa rifilatrice a raso con punta da trapano

► Fig.19

Unità: mm

D	A	L1	L2	L3
8	8	60	20	35
6	6	60	18	28

Fresa rifilatrice a raso doppia con punta da trapano

► Fig.20

Unità: mm

D	A	L1	L2	L3	L4
8	8	80	55	20	25
6	6	70	40	12	14

Fresa per arrotondare gli angoli

► Fig.21

Unità: mm

D	A1	A2	L1	L2	L3	R
6	25	9	48	13	5	8
6	20	8	45	10	4	4

Fresa per smussatura

► Fig.22

Unità: mm

D	A	L1	L2	L3	θ
6	23	46	11	6	30°
6	20	50	13	5	45°
6	20	49	14	2	60°

Fresa per modanatura concava

► Fig.23

Unità: mm

D	A	L1	L2	R
6	20	43	8	4
6	25	48	13	8

Fresa rifilatrice a raso con cuscinetto a sfere

► Fig.24

Unità: mm

D	A	L1	L2
6	10	50	20
1/4"			

Fresa per arrotondare gli angoli con cuscinetto a sfere

► Fig.25

Unità: mm

D	A1	A2	L1	L2	L3	R
6	15	8	37	7	3,5	3
6	21	8	40	10	3,5	6
1/4"	21	8	40	10	3,5	6

Fresa per smussatura con cuscinetto a sfere

► Fig.26

Unità: mm

D	A1	A2	L1	L2	θ
6	26	8	42	12	45°
1/4"					
6	20	8	41	11	60°

Fresa per modanatura con cuscinetto a sfere

► Fig.27

Unità: mm

D	A1	A2	A3	L1	L2	L3	R
6	20	12	8	40	10	5,5	4
6	26	12	8	42	12	4,5	7

Fresa per modanatura concava con cuscinetto a sfere

► Fig.28

Unità: mm

D	A1	A2	A3	A4	L1	L2	L3	R
6	20	18	12	8	40	10	5,5	3
6	26	22	12	8	42	12	5	5

Fresa per modanatura a S con cuscinetto a sfere

► Fig.29

Unità: mm

D	A1	A2	L1	L2	L3	R1	R2
6	20	8	40	10	4,5	2,5	4,5
6	26	8	42	12	4,5	3	6

TECHNISCHE GEGEVENS

Model:	M3601
Capaciteit van spankop	6 mm, 1/4" en/of 8 mm
Capaciteit invalfrezen	0 - 35 mm
Nullasttoerental	27.000 min ⁻¹
Totale hoogte	218 mm
Nettogewicht	2,7 kg
Veiligheidsklasse	Ⓜ/II

- In verband met ononderbroken research en ontwikkeling behouden wij ons het recht voor bovenstaande technische gegevens te wijzigen zonder voorafgaande kennisgeving.
- De technische gegevens kunnen van land tot land verschillen.
- Gewicht volgens EPTA-procedure 01/2014

Gebruiksdoeleinden

Het gereedschap is bedoeld voor het afkantrimmen en profileren van hout, kunststof en soortgelijke materialen.

Voeding

Het gereedschap mag alleen worden aangesloten op een voeding van dezelfde spanning als aangegeven op het typeplaatje, en kan alleen worden gebruikt op enkelfase-wisselstroom. Het gereedschap is dubbel-geïsoleerd en kan derhalve ook op een niet-geaard stopcontact worden aangesloten.

Geluidsniveau

De typische, A-gewogen geluidsniveaus zijn gemeten volgens EN62841-2-17:

Geluidsdrukniveau (L_{pA}): 89 dB (A)

Geluidsvermogeniveau (L_{WA}): 100 dB (A)

Onzekerheid (K): 3 dB (A)

OPMERKING: De opgegeven geluidsemisiewaarde(n) is/zijn gemeten volgens een standaardtestmethode en kan/kunnen worden gebruikt om dit gereedschap te vergelijken met andere gereedschappen.

OPMERKING: De opgegeven geluidsemisiewaarde(n) kan/kunnen ook worden gebruikt voor een beoordeling vooraf van de blootstelling.

⚠️WAARSCHUWING: Draag gehoorbescherming.

⚠️WAARSCHUWING: De geluidsemisie tijdens het gebruik van het elektrisch gereedschap in de praktijk kan verschillen van de opgegeven waarde(n) afhankelijk van de manier waarop het gereedschap wordt gebruikt, met name van het soort werkstuk waarmee wordt gewerkt.

⚠️WAARSCHUWING: Zorg ervoor dat veiligheidsmaatregelen worden getroffen ter bescherming van de gebruiker die zijn gebaseerd op een schatting van de blootstelling onder praktijkomstandigheden (rekening houdend met alle fasen van de bedrijfscyclus, zoals de tijdsduur gedurende welke het gereedschap is uitgeschakeld en stationair draait, naast de ingeschakelde tijdsduur).

Trilling

De totale trillingswaarde (triaxiale vectorsom) zoals vastgesteld volgens EN62841-2-17:

Gebruikstoepassing: Groeven frezen in MDF

Trillingsemisie (a_h): 7,9 m/s²

Onzekerheid (K): 1,6 m/s²

OPMERKING: De totale trillingswaarde(n) is/zijn gemeten volgens een standaardtestmethode en kan/kunnen worden gebruikt om dit gereedschap te vergelijken met andere gereedschappen.

OPMERKING: De opgegeven totale trillingswaarde(n) kan/kunnen ook worden gebruikt voor een beoordeling vooraf van de blootstelling.

⚠️WAARSCHUWING: De trillingsemisie tijdens het gebruik van het elektrisch gereedschap in de praktijk kan verschillen van de opgegeven waarde(n) afhankelijk van de manier waarop het gereedschap wordt gebruikt, met name van het soort werkstuk waarmee wordt gewerkt.

⚠️WAARSCHUWING: Zorg ervoor dat veiligheidsmaatregelen worden getroffen ter bescherming van de gebruiker die zijn gebaseerd op een schatting van de blootstelling onder praktijkomstandigheden (rekening houdend met alle fasen van de bedrijfscyclus, zoals de tijdsduur gedurende welke het gereedschap is uitgeschakeld en stationair draait, naast de ingeschakelde tijdsduur).

EG-verklaring van conformiteit

Alleen voor Europese landen

De EG-verklaring van conformiteit is bijgevoegd als Bijlage A bij deze gebruiksaanwijzing.

VEILIGHEIDSWAARSCHUWINGEN

Algemene veiligheidswaarschuwingen voor elektrisch gereedschap

⚠ WAARSCHUWING: Lees alle veiligheids-
waarschuwingen, aanwijzingen, afbeeldingen en
technische gegevens behorend bij dit elektrische
gereedschap aandachtig door. Als u niet alle onder-
staande aanwijzingen naleeft, kan dat resulteren in
brand, elektrische schokken en/of ernstig letsel.

Bewaar alle waarschuwingen en instructies om in de toekomst te kunnen raadplegen.

De term "elektrisch gereedschap" in de veiligheidsvoor-
schriften duidt op gereedschappen die op stroom van
het lichtnet werken (met snoer) of gereedschappen met
een accu (snoerloos).

Veiligheidswaarschuwingen specifiek voor een bovenfrees

1. **Houd het elektrisch gereedschap alleen vast bij het geïsoleerde oppervlak omdat het snijgarnituur met zijn eigen snoer in aanraking kan komen.** Wanneer onder spanning staande draden worden geraakt, zullen de niet-geïsoleerde metalen delen van het gereedschap onder spanning komen te staan zodat de gebruiker een elektrische schok kan krijgen.
2. **Gebruik klemmen of andere bevestigingsmiddelen om het werkstuk op een stabiel platform te bevestigen en te ondersteunen.** Als u het werkstuk in uw hand of tegen uw lichaam geklemd houdt, is het onvoldoende stabiel en kunt u de controle erover verliezen.
3. **De schacht van het snijgarnituur moet overeenkomen met de aanwezige spankop.**
4. **Gebruik uitsluitend een bit met een nominaal toerental dat minstens gelijk is aan het maximumtoerental vermeld op het gereedschap.**
5. **Draag gehoorbescherming tijdens langdurig gebruik.**
6. **Behandel de bovenfreesbits zeer voorzichtig.**
7. **Controleer het bovenfreesbit vóór gebruik nauwkeurig op barsten of beschadigingen.** Vervang een gebarsten of beschadigd bit onmiddellijk.
8. **Voorkom dat u spijkers raakt.** Inspecteer het werkstuk op spijkers en verwijder deze zo nodig voordat u ermee begint te werken.
9. **Houd het gereedschap met beide handen stevig vast.**
10. **Houd uw handen uit de buurt van draaiende delen.**

11. **Zorg ervoor dat het bovenfreesbit het werkstuk niet raakt voordat u het gereedschap hebt ingeschakeld.**
12. **Laat het gereedschap een tijdje draaien voordat u het op het werkstuk gebruikt.** Controleer op trillingen of schommelingen die op een verkeerd gemonteerd bit kunnen wijzen.
13. **Let goed op de draairichting van het bovenfreesbit en de voortgangsrichting.**
14. **Laat het gereedschap niet onnodig ingeschakeld.** Bedien het gereedschap alleen terwijl u het vasthoudt.
15. **Schakel het gereedschap uit en wacht altijd tot het bovenfreesbit volledig tot stilstand is gekomen voordat u het gereedschap uit het werkstuk verwijdert.**
16. **Raak het bovenfreesbit niet onmiddellijk na gebruik aan.** Het kan bijzonder heet zijn en brandwonden op uw huid veroorzaken.
17. **Smeer niet zonder na te denken thinner, benzine, olie en dergelijke op de voet van het gereedschap.** Deze middelen kunnen scheuren in de voet van het gereedschap veroorzaken.
18. **Sommige materialen bevatten chemische stoffen die giftig kunnen zijn.** Wees voorzichtig dat u geen stof inademt en het stof niet op uw huid komt. Volg de veiligheidsinstructies van de leverancier van het materiaal op.
19. **Draag altijd een stofmasker/ademhalingsapparaat dat geschikt is voor het materiaal en de toepassing waarmee u werkt.**

BEWAAR DEZE INSTRUCTIES.

⚠ WAARSCHUWING: Laat u NIET misleiden door een vals gevoel van comfort en bekendheid met het gereedschap (na veelvuldig gebruik) en neem alle veiligheidsvoorschriften van het betreffende gereedschap altijd strikt in acht. **VERKEERD GEBRUIK** of het niet naleven van de veiligheidsvoorschriften in deze gebruiksaanwijzing kan leiden tot ernstig persoonlijk letsel.

BESCHRIJVING VAN DE FUNCTIES

⚠ LET OP: Controleer altijd of het gereedschap is uitgeschakeld en de stekker ervan uit het stopcontact is verwijderd alvorens de functies op het gereedschap te controleren of af te stellen.

De freesdiepte instellen

1. Leg het gereedschap op een vlakke ondergrond. Draai de duimschroef los waarmee de aanslagstang is vastgezet.

► **Fig.1:** 1. Aanslagstang 2. Schroef

2. Zet de vergrendelhendel los en beweeg het gereedschapshuis omlaag totdat het bovenfreesbit met de vlakke ondergrond raakt. Zet de vergrendelhendel vast om het gereedschap te vergrendelen.

► **Fig.2:** 1. Vergrendelhendel 2. Schroef

3. Breng de aanslagstang omlaag tot deze de zeskantstelbout raakt. Lijn de diepteaanwijzer uit met de "0" op de schaalverdeling.

► **Fig.3:** 1. Diepteaanwijzer 2. Schroef
3. Aanslagstang 4. Zeskantstelbout
5. Aanslagblok

4. Breng de aanslagstang omhoog totdat de gewenste diepte is bereikt. De freesdiepte wordt door de diepteaanwijzer aangegeven op de schaalverdeling (1 mm per streepje). Draai vervolgens de duimschroef weer vast om de aanslagstang vast te zetten.

5. Uw vooraf bepaalde freesdiepte kan worden verkregen door de vergrendelhendel los te zetten en daarna het gereedschap omlaag te brengen totdat de aanslagstang de zeskantstelbout raakt.

⚠ LET OP: Aangezien door buitensporig frezen de motor overbelast kan worden of het gereedschap moeilijk te besturen kan zijn, mag de freesdiepte niet meer dan 15 mm (9/16") per werkgang bedragen bij het frezen van groeven met een bit van 8 mm (5/16") diameter.

⚠ LET OP: Bij het frezen van groeven met een bit van 20 mm (13/16") diameter mag de freesdiepte niet meer bedragen dan 5 mm (3/16") per werkgang.

⚠ LET OP: Als u groeven wilt frezen van meer dan 15 mm (9/16") diep met een bit van 8 mm (5/16") diameter, of meer dan 5 mm (3/16") diep met een bit van 20 mm (13/16") diameter, maakt u meerdere werkgangen met een steeds toenemende freesdiepte-instelling.

Aanslagblok

Het aanslagblok heeft drie zeskantstelbouten die per slag 0,8 mm (ong. 1/32") omhoog of omlaag gaan. Met deze zeskantstelbouten kunt u gemakkelijk drie verschillende freesdiepten realiseren zonder de aanslagstang opnieuw te hoeven instellen.

► **Fig.4:** 1. Diepteaanwijzer 2. Schroef
3. Aanslagstang 4. Zeskantstelbout
5. Aanslagblok

1. Stel de laagste zeskantbout in op de grootste freesdiepte volgens de procedure beschreven onder "De freesdiepte instellen".

2. Stel de twee resterende zeskantbouten in op minder grote freesdiepten. De verschillen in de hoogte van deze zeskantbouten zijn gelijk aan de verschillen in freesdiepte-instelling.

3. Draai de zeskantbouten om de diepte in te stellen. Het aanslagblok is tevens handig voor het uitvoeren van drie werkgangen met een steeds grotere freesdiepte-instelling voor het frezen van diepe groeven.

OPMERKING: Wanneer u een bit gebruikt met een totale lengte van 60 mm (2-3/8") of meer, of een randlengte van 35 mm (1-3/8") of meer, kan de freesdiepte niet worden ingesteld zoals hiervoor is beschreven. Ga in dat geval voor het instellen als volgt te werk:

1. Zet de vergrendelhendel los en stel voorzichtig de freesdiepte in waarbij het bit onder de zool van het gereedschap uitsteekt door het gereedschap omhoog of omlaag te bewegen.
2. Zet de vergrendelhendel weer stevig vast om het gereedschap te vergrendelen op de ingestelde freesdiepte. Houd het gereedschap tijdens gebruik in deze stand vergrendeld.

Aangezien het bit altijd onder de zool van het gereedschap uitsteekt, moet u voorzichtig zijn tijdens het omgaan met het gereedschap.

De vergrendelhendel afstellen

De vergrendelde stand van de vergrendelhendel is verstelbaar. Om deze te verstellen, verwijdert u de schroef waarmee de vergrendelhendel is vastgezet. De vergrendelhendel kan eraf worden gehaald. Breng de vergrendelhendel aan onder de gewenste hoek. Na het verstellen, draait u de schroef van de vergrendelhendel rechtsom vast.

► **Fig.5:** 1. Vergrendelhendel 2. Schroef

In- en uitschakelen

⚠ LET OP: Controleer altijd, voordat u de stekker in het stopcontact steekt, of de trekkerschakelaar op de juiste manier schakelt en weer terugkeert naar de uit-stand nadat deze is losgelaten.

Om het gereedschap in te schakelen, knijpt u gewoon de trekkerschakelaar in. Laat de trekkerschakelaar los om het gereedschap te stoppen.

► **Fig.6:** 1. Trekkerschakelaar

MONTAGE

⚠ LET OP: Zorg altijd dat het gereedschap is uitgeschakeld en dat zijn stekker uit het stopcontact is verwijderd alvorens enig werk aan het gereedschap uit te voeren.

Het bovenfreesbit aanbrengen en verwijderen

Steek het bit helemaal in de spankegel en draai de spankopmoer stevig vast met behulp van de twee steeksleutels. Gebruik de juiste maat spankegel voor het bit dat u wilt gebruiken.

► Fig.7

Om het bit te verwijderen, volgt u de procedure voor het aanbrengen in de omgekeerde volgorde.

⚠ LET OP: Breng het bovenfreesbit stevig aan. Gebruik altijd de steeksleutel die bij het gereedschap werd geleverd. Een loszittend of te strak vastgezet bovenfreesbit kan gevaarlijk zijn.

⚠ LET OP: Draai de spankopmoer niet vast zonder dat een bit in de spankop is aangebracht. Dit kan leiden tot het afbreken van de spankegel.

De spankegel vervangen

Afhankelijk van het land

KENNISGEVING: Gebruik de juiste maat spankegel voor het bit dat u gaat gebruiken.

KENNISGEVING: Draai de spankopmoer niet vast zonder dat een bit is aangebracht omdat anders de spankegel kan breken.

► Fig.8: 1. Spankegel 2. Spankopmoer 3. Bit

Om de spankegel te vervangen, draait u de spankopmoer los en verwijdert u hem. Vervang de aanwezige spankegel door de gewenste spankegel. Breng de spankopmoer weer aan.

BEDIENING

Plaats eerst de voet van het gereedschap op het werkstuk dat u wilt frezen, zonder dat het bovenfreesbit het werkstuk raakt. Schakel vervolgens het gereedschap in en wacht totdat het bovenfreesbit op volle snelheid draait. Breng het gereedschap omlaag en beweeg het gereedschap voorwaarts over het oppervlak van het werkstuk. Houd daarbij de voet van het gereedschap vlak op het oppervlak van het werkstuk en beweegt het gereedschap gelijkmatig totdat het frezen klaar is. Bij het frezen van de rand van het werkstuk moet het oppervlak van het werkstuk zich aan de linkerkant van het bovenfreesbit bevinden, gezien in de voortgangsrichting.

► Fig.9: 1. Werkstuk 2. Draairichting van het bit 3. Aanzicht vanaf de bovenkant van het gereedschap 4. Voortgangsrichting

OPMERKING: Als u het gereedschap te snel voorwaarts beweegt, kan de snede van slechte kwaliteit zijn, of het bovenfreesbit of de motor worden beschadigd. Als u het gereedschap te langzaam voorwaarts beweegt, kan hierdoor de snede verbranden en lelijk worden. De juiste voortgangssnelheid is afhankelijk van de maat van het bovenfreesbit, het soort werkstuk en de freesdiepte.

Alvorens in het eigenlijke werkstuk te werken, is het raadzaam eerst een proefsnede te maken in een stuk afvalhout. Zodoende kunt u precies zien hoe de snede eruit komt te zien en kunt u tevens de afmetingen controleren.

OPMERKING: Als u de langsgelieder of de trimgeleider gebruikt, zorgt u ervoor dat u deze langs de rechterkant aanbrengt, gezien in de voortgangsrichting. Hierdoor blijft deze gelijklopen met de zijkant van het werkstuk.

► Fig.10: 1. Voortgangsrichting 2. Draairichting van het bit 3. Werkstuk 4. Langsgelieder

Langsgelieder

De langsgelieder wordt gebruikt bij het rechtuit frezen van een schuine kant of groef.

► Fig.11

Om de langsgelieder aan te brengen, steekt u de geleiderstangen ervan in de gaten in de zool van het gereedschap. Stel de afstand in tussen het bit en de langsgelieder. Op de gewenste afstand, draai de vleugelbout vast om de langsgelieder op zijn plaats vast te zetten. Beweeg tijdens het frezen het gereedschap met de langsgelieder strak langs de zijkant van het werkstuk.

► Fig.12: 1. Geleiderstang 2. Klemschroef 3. Langsgelieder

Als de afstand (A) tussen de zijkant van het werkstuk en de freespositie te groot is voor de langsgelieder, of als de zijkant van het werkstuk niet recht is, kan de langsgelieder niet worden gebruikt. In dat geval klemt u een rechte lat op het werkstuk en gebruikt u deze als een geleider om de voet van de kantenfrees langs te bewegen. Beweeg het gereedschap in de richting van de pijl.

► Fig.13

Stofafzuigaansluitmondset (afhankelijk van het land)

Gebruik de stofafzuigaansluitmond om stof af te zuigen. Breng de stofafzuigaansluitmond met behulp van de vingerschroef aan op de voet van het gereedschap zodanig dat de stofafzuigaansluitmond past in de inkeping in de voet van het gereedschap. Sluit vervolgens een stofzuiger aan op de stofafzuigaansluitmond.

► Fig.14: 1. Stofafzuigaansluitmond 2. Vingerschroef

► Fig.15

ONDERHOUD

⚠ LET OP: Zorg altijd dat het gereedschap is uitgeschakeld en zijn stekker uit het stopcontact is verwijderd alvorens te beginnen met inspectie of onderhoud.

KENNISGEVING: Gebruik nooit benzine, wasbenzine, thinner, alcohol en dergelijke. Hierdoor kunnen verkleuring, vervormingen en barsten worden veroorzaakt.

Om de VEILIGHEID en BETROUWBAARHEID van het gereedschap te handhaven, dienen alle reparaties, onderhoud of afstellingen te worden uitgevoerd bij een erkend Makita-servicecentrum of de Makita-fabriek, en altijd met gebruik van Makita-ervangingsonderdelen.

OPTIONELE ACCESSOIRES

⚠ LET OP: Deze accessoires of hulpstukken worden aanbevolen voor gebruik met het Makita gereedschap dat in deze gebruiksaanwijzing is beschreven. Bij gebruik van andere accessoires of hulpstukken bestaat het gevaar van persoonlijke letsel. Gebruik de accessoires of hulpstukken uitsluitend voor hun bestemde doel.

Wenst u meer bijzonderheden over deze accessoires, neem dan contact op met het plaatselijke Makita-servicecentrum.

- Diverse groefbits
- Diverse afkantbits
- Diverse laminaattrimbits

OPMERKING: Sommige items op de lijst kunnen zijn inbegrepen in de doos van het gereedschap als standaard toebehoren. Deze kunnen van land tot land verschillen.

Bovenfreesbits

Vlagraefbit

► Fig.16

Eenheid: mm

D	A	L1	L2
6	20	50	15
1/4"			
8	8	60	25
6			
6	8	50	18
1/4"			
6	6	50	18
1/4"			

U-groefbit

► Fig.17

Eenheid: mm

D	A	L1	L2	R
6	6	50	18	3

V-groefbit

► Fig.18

Eenheid: mm

D	A	L1	L2	θ
1/4"	20	50	15	90°

Afkantrimbit met boorpunt

► Fig.19

Eenheid: mm

D	A	L1	L2	L3
8	8	60	20	35
6	6	60	18	28

Dubbele afkantrimbit met boorpunt

► Fig.20

Eenheid: mm

D	A	L1	L2	L3	L4
8	8	80	55	20	25
6	6	70	40	12	14

Papegaaienbekbit

► Fig.21

Eenheid: mm

D	A1	A2	L1	L2	L3	R
6	25	9	48	13	5	8
6	20	8	45	10	4	4

Afschuinbit

► Fig.22

Eenheid: mm

D	A	L1	L2	L3	θ
6	23	46	11	6	30°
6	20	50	13	5	45°
6	20	49	14	2	60°

Kwartholprofielbit

► Fig.23

Eenheid: mm

D	A	L1	L2	R
6	20	43	8	4
6	25	48	13	8

Afkanttrimbit met kogellager

► Fig.24

Eenheid: mm

D	A	L1	L2
6	10	50	20
1/4"			

Papegaaienbekbit met kogellager

► Fig.25

Eenheid: mm

D	A1	A2	L1	L2	L3	R
6	15	8	37	7	3,5	3
6	21	8	40	10	3,5	6
1/4"	21	8	40	10	3,5	6

Afschuinbit met kogellager

► Fig.26

Eenheid: mm

D	A1	A2	L1	L2	θ
6	26	8	42	12	45°
1/4"					
6	20	8	41	11	60°

Kwartrondbit met kogellager

► Fig.27

Eenheid: mm

D	A1	A2	A3	L1	L2	L3	R
6	20	12	8	40	10	5,5	4
6	26	12	8	42	12	4,5	7

Kwartholprofielbit met kogellager

► Fig.28

Eenheid: mm

D	A1	A2	A3	A4	L1	L2	L3	R
6	20	18	12	8	40	10	5,5	3
6	26	22	12	8	42	12	5	5

Ojiefbit met kogellager

► Fig.29

Eenheid: mm

D	A1	A2	L1	L2	L3	R1	R2
6	20	8	40	10	4,5	2,5	4,5
6	26	8	42	12	4,5	3	6

ESPECIFICACIONES

Modelo:	M3601
Capacidad del mandril cónico	6 mm, 1/4" y/o 8 mm
Capacidad de fresado	0 - 35 mm
Velocidad sin carga	27.000 min ⁻¹
Altura total	218 mm
Peso neto	2,7 kg
Clase de seguridad	⊠/II

- Debido a nuestro continuado programa de investigación y desarrollo, las especificaciones aquí dadas están sujetas a cambios sin previo aviso.
- Las especificaciones pueden ser diferentes de país a país.
- Peso de acuerdo con el procedimiento EPTA 01/2014

Uso previsto

La herramienta ha sido prevista para recortar a ras y perfilar madera, plástico y materiales similares.

Alimentación

La herramienta deberá ser conectada solamente a una fuente de alimentación de la misma tensión que la indicada en la placa de características, y solamente puede ser utilizada con alimentación de CA monofásica. La herramienta tiene doble aislamiento y puede, por lo tanto, utilizarse también en tomas de corriente sin conductor de tierra.

Ruido

El nivel de ruido A-ponderado típico determinado de acuerdo con la norma EN62841-2-17:

Nivel de presión sonora (L_{pA}): 89 dB (A)

Nivel de potencia sonora (L_{WA}): 100 dB (A)

Error (K): 3 dB (A)

NOTA: El valor (o los valores) de emisión de ruido declarado ha sido medido de acuerdo con un método de prueba estándar y se puede utilizar para comparar una herramienta con otra.

NOTA: El valor (o valores) de emisión de ruido declarado también se puede utilizar en una valoración preliminar de exposición.

⚠ADVERTENCIA: Póngase protectores para oídos.

⚠ADVERTENCIA: La emisión de ruido durante la utilización real de la herramienta eléctrica puede variar del valor (o los valores) de emisión declarado dependiendo de las formas en las que la herramienta sea utilizada, especialmente qué tipo de pieza de trabajo se procesa.

⚠ADVERTENCIA: Asegúrese de identificar medidas de seguridad para proteger al operario que estén basadas en una estimación de la exposición en las condiciones reales de utilización (teniendo en cuenta todas las partes del ciclo operativo como las veces cuando la herramienta está apagada y cuando está funcionando en vacío además del tiempo de gatillo).

Vibración

El valor total de la vibración (suma de vectores triaxiales) determinado de acuerdo con la norma EN62841-2-17:

Modo de trabajo: hacer ranuras en MDF

Emisión de vibración (a_{hv}): 7,9 m/s²

Error (K): 1,6 m/s²

NOTA: El valor (o los valores) total de emisión de vibración declarado ha sido medido de acuerdo con un método de prueba estándar y se puede utilizar para comparar una herramienta con otra.

NOTA: El valor (o los valores) total de emisión de vibración declarado también se puede utilizar en una valoración preliminar de exposición.

⚠ADVERTENCIA: La emisión de vibración durante la utilización real de la herramienta eléctrica puede variar del valor (o los valores) de emisión declarado dependiendo de las formas en las que la herramienta sea utilizada, especialmente qué tipo de pieza de trabajo se procesa.

⚠ADVERTENCIA: Asegúrese de identificar medidas de seguridad para proteger al operario que estén basadas en una estimación de la exposición en las condiciones reales de utilización (teniendo en cuenta todas las partes del ciclo operativo como las veces cuando la herramienta está apagada y cuando está funcionando en vacío además del tiempo de gatillo).

Declaración CE de conformidad

Para países europeos solamente

La declaración CE de conformidad está incluida como Anexo A de esta manual de instrucciones.

ADVERTENCIAS DE SEGURIDAD

Advertencias de seguridad para herramientas eléctricas en general

⚠️ ADVERTENCIA: Lea todas las advertencias de seguridad, instrucciones, ilustraciones y especificaciones provistas con esta herramienta eléctrica. Si no sigue todas las instrucciones indicadas abajo podrá resultar en una descarga eléctrica, un incendio y/o heridas graves.

Guarde todas las advertencias e instrucciones para futuras referencias.

El término "herramienta eléctrica" en las advertencias se refiere a su herramienta eléctrica de funcionamiento con conexión a la red eléctrica (con cable) o herramienta eléctrica de funcionamiento a batería (sin cable).

Advertencias de seguridad para la rebajadora

1. Sujete la herramienta eléctrica por las superficies de asimiento aisladas solamente, porque la fresa puede entrar en contacto con su propio cable. Cortar un cable con corriente puede hacer que la corriente circule por las partes metálicas expuestas de la herramienta eléctrica y puede soltar una descarga eléctrica al operario.
2. Utilice mordazas u otros medios de sujeción prácticos para sujetar y apoyar la pieza de trabajo en una plataforma estable. Sujetada con su mano o contra el cuerpo, la pieza de trabajo estará inestable y podrá ocasionar la pérdida del control.
3. La espiga de la fresa debe corresponder con el mandril cónico diseñado.
4. Solamente utilice una fresa con capacidad al menos igual que la velocidad máxima marcada en la herramienta.
5. Póngase protección auditiva durante periodos prolongados de operación.
6. Maneje las fresas con mucho cuidado.
7. Inspeccione la fresa cuidadosamente para ver si tiene grietas o daños antes de comenzar la operación. Reemplace la fresa inmediatamente si está agrietada o dañada.
8. Evite cortar clavos. Inspeccione la pieza de trabajo por si tiene clavos y retírelos todos antes de empezar la operación.
9. Sujete la herramienta firmemente con ambas manos.
10. Mantenga las manos alejadas de las partes giratorias.
11. Asegúrese de que la fresa no está tocando la pieza de trabajo antes de activar el interruptor.

12. Antes de utilizar la herramienta en un pieza de trabajo definitiva, déjela funcionar durante un rato. Observe por si hay vibración o bamboleo que pueda indicar una instalación incorrecta de la fresa.
13. Tenga cuidado de la dirección de giro y dirección de avance de la fresa.
14. No deje la herramienta en marcha. Opere la herramienta solamente cuando la tenga en las manos.
15. Apague siempre la herramienta y espere hasta que la fresa se haya parado completamente antes de retirar la herramienta de la pieza de trabajo.
16. No toque la fresa inmediatamente después de la operación; podrá estar muy caliente y quemarle la piel.
17. No embadurne la base de la herramienta sin cuidado con disolvente, gasolina, aceite o similar. Ellos pueden ocasionar grietas en la base de la herramienta.
18. Algunos materiales contienen sustancias químicas que podrán ser tóxicas. Tenga precaución para evitar la inhalación de polvo y el contacto con la piel. Siga los datos de seguridad del abastecedor del material.
19. Utilice siempre la mascarilla contra el polvo/ respirador correcto para el material y la aplicación con que esté trabajando.

GUARDE ESTAS INSTRUCCIONES.

⚠️ ADVERTENCIA: NO deje que la comodidad o familiaridad con el producto (a base de utilizarlo repetidamente) sustituya la estricta observancia de las normas de seguridad para el producto en cuestión. El MAL USO o el no seguir las normas de seguridad establecidas en este manual de instrucciones podrá ocasionar graves heridas personales.

DESCRIPCIÓN DEL FUNCIONAMIENTO

⚠️ PRECAUCIÓN: Asegúrese siempre de que la herramienta está apagada y desenchufada antes de intentar realizar cualquier tipo de ajuste o comprobación en ella.

Ajuste de la profundidad de corte

1. Coloque la herramienta sobre una superficie plana. Afloje el tornillo que sujeta la barra del retenedor.
► **Fig.1:** 1. Barra del retenedor 2. Tornillo
2. Afloje la palanca de bloqueo y baje el cuerpo de la herramienta hasta que la fresa toque justamente la superficie plana. Apriete la palanca de bloqueo para bloquear el cuerpo de la herramienta.
► **Fig.2:** 1. Palanca de bloqueo 2. Tornillo
3. Baje la barra del retenedor hasta que haga contacto con el perno hexagonal de ajuste. Alinee el tope de profundidad con la graduación "0".
► **Fig.3:** 1. Tope de profundidad 2. Tornillo 3. Barra del retenedor 4. Perno hexagonal de ajuste 5. Bloqueo del retenedor
4. Suba la barra del retenedor hasta obtener la profundidad de corte deseada. La profundidad de corte la indica el tope de profundidad en la escala (1 mm por graduación). Después apriete el tornillo para sujetar la barra del retenedor.
5. La profundidad de corte predeterminada por usted se puede obtener aflojando la palanca de bloqueo y bajando después el cuerpo de la herramienta hasta que la barra del retenedor haga contacto con el perno hexagonal de ajuste.

⚠️ PRECAUCIÓN: Dado que un corte excesivo puede ocasionar sobrecarga al motor o dificultad para controlar la herramienta, la profundidad de corte no deberá ser de más de 15 mm (9/16") por pasada cuando se hacen ranuras con una fresa de 8 mm (5/16") de diámetro.

⚠️ PRECAUCIÓN: Cuando se hagan ranuras con una fresa de 20 mm (13/16") de diámetro, la profundidad de corte no deberá ser de más de 5 mm (3/16") por pasada.

⚠️ PRECAUCIÓN: Cuando quiera hacer ranuras de más de 15 mm (9/16") de profundidad con una fresa de 8 mm (5/16") de diámetro o más de 5 mm (3/16") de profundidad con una fresa de 20 mm (13/16") de diámetro, haga varias pasadas con ajustes de fresa progresivamente más profundos.

Bloqueo del retenedor

El bloqueo del retenedor tiene tres pernos hexagonales de ajuste que suben o bajan 0,8 mm (aprox. 1/32") por vuelta. Usted puede obtener fácilmente tres profundidades de corte diferentes utilizando estos pernos hexagonales de ajuste sin reajustar la barra del retenedor.

► **Fig.4:** 1. Tope de profundidad 2. Tornillo 3. Barra del retenedor 4. Perno hexagonal de ajuste 5. Bloqueo del retenedor

1. Ajuste el perno hexagonal más bajo para obtener la profundidad de corte más profunda, siguiendo el método de "Ajuste de la profundidad de corte".
2. Ajuste los dos pernos hexagonales restantes para obtener profundidades de corte menos profundas. Las diferencias de altura de estos pernos hexagonales son iguales a las diferencias de las profundidades de corte.
3. Gire los pernos hexagonales para ajustar la profundidad. El bloqueo del retenedor también resulta útil para hacer tres pasadas con ajustes de fresa progresivamente más profundos cuando se hacen ranuras profundas.

NOTA: Cuando se utilice una fresa que tenga una longitud total de 60 mm (2-3/8") o más, o longitud de borde de 35 mm (1-3/8") o más, la profundidad de corte no se podrá ajustar como se ha mencionado previamente. Para ajustar, proceda como se indica a continuación:

1. Afloje la palanca de bloqueo y ajuste con cuidado la protuberancia de la fresa por debajo de la base de la herramienta a la profundidad de corte deseada moviendo el cuerpo de la herramienta hacia arriba y hacia abajo.
2. Vuelva a apretar la palanca de bloqueo para bloquear el cuerpo de la herramienta a esa profundidad de corte. Mantenga el cuerpo de la herramienta bloqueado en esta posición durante la utilización.

Dado que la fresa siempre sobresale por la base de la herramienta, tenga cuidado cuando maneje la herramienta.

Ajuste de la palanca de bloqueo

La posición bloqueada de la palanca de bloqueo es ajustable. Para ajustarla, retire el tornillo que sujeta la palanca de bloqueo. La palanca de bloqueo se soltará. Ajuste la palanca de bloqueo al ángulo deseado. Después de ajustar, apriete la palanca de bloqueo hacia la derecha.

► **Fig.5:** 1. Palanca de bloqueo 2. Tornillo

Accionamiento del interruptor

⚠️ PRECAUCIÓN: Antes de enchufar la herramienta, compruebe siempre para cerciorarse de que el gatillo interruptor se acciona debidamente y que vuelve a la posición "apagada" cuando lo suelta.

Para poner en marcha la herramienta, simplemente apriete el gatillo interruptor. Suelte el gatillo interruptor para parar.

► **Fig.6:** 1. Gatillo interruptor

MONTAJE

⚠ PRECAUCIÓN: Asegúrese siempre de que la herramienta está apagada y desenchufada antes de realizar cualquier trabajo en la herramienta.

Instalación o desmontaje de la fresa

Inserte la fresa a fondo en el casquillo cónico y apriete la tuerca de casquillo cónico firmemente con las dos llaves. Utilice el casquillo cónico de tamaño correcto para la fresa que piensa utilizar.

► Fig.7

Para retirar la fresa, siga el procedimiento de instalación a la inversa.

⚠ PRECAUCIÓN: Instale la fresa firmemente. Utilice siempre la llave provista con la herramienta. Una fresa floja o excesivamente apretada puede ser peligrosa.

⚠ PRECAUCIÓN: No apriete la tuerca de casquillo cónico sin insertar una fresa. Podría llevar a la rotura del casquillo cónico.

Cambio del casquillo cónico

Específico para cada país

AVISO: Utilice el casquillo cónico de tamaño correcto para la fresa que va a usar.

AVISO: No apriete la tuerca de casquillo sin instalar una fresa, o el casquillo cónico se podrá romper.

► Fig.8: 1. Cono de la boquilla 2. Tuerca de pinza 3. Punta

Para cambiar el casquillo cónico, afloje la tuerca de casquillo y retírela. Reemplace el casquillo cónico instalado con el casquillo cónico deseado. Vuelva a instalar la tuerca de casquillo.

OPERACIÓN

Coloque la base de la herramienta sobre la pieza de trabajo que se va a cortar sin que la fresa haga contacto alguno. Después encienda la herramienta y espere hasta que la fresa adquiera plena velocidad. Baje el cuerpo de la herramienta y mueva la herramienta hacia adelante sobre la superficie de la pieza de trabajo, manteniendo la base de la herramienta a ras y avanzando suavemente hasta completar el corte. Cuando se haga corte de bordes, la superficie de la pieza de trabajo deberá estar en el costado izquierdo de la fresa en la dirección de avance.

► Fig.9: 1. Pieza de trabajo 2. Dirección rotativa de la fresa 3. Vista desde la parte superior de la herramienta 4. Dirección de avance

NOTA: Mover la herramienta hacia adelante demasiado rápido puede ocasionar una mala calidad de corte, o daño a la fresa o el motor. Mover la herramienta hacia adelante muy despacio puede quemar y estropear el corte. La velocidad de avance adecuada dependerá del tamaño de la fresa, el tipo de pieza de trabajo y la profundidad de corte.

Antes de comenzar el corte en la pieza de trabajo definitiva, es aconsejable hacer un corte de prueba en una pieza de madera de desecho. Esto mostrará exactamente cómo será el corte y también le permitirá comprobar las dimensiones.

NOTA: Cuando utilice la guía recta o la guía de recorte, asegúrese de instalarla en el lado derecho en la dirección de avance. Esto ayudará a mantenerla a ras con el costado de la pieza de trabajo.

► Fig.10: 1. Dirección de avance 2. Dirección rotativa de la fresa 3. Pieza de trabajo 4. Guía recta

Guía recta

La guía recta se utiliza de forma efectiva para cortes rectos cuando se achaflana o ranura.

► Fig.11

Para instalar la guía recta, inserte las barras de la guía en los agujeros de la base de la herramienta. Ajuste la distancia entre la fresa y la guía recta. En la distancia deseada, apriete los tornillos de mariposa para sujetar la guía recta en su sitio. Cuando corte, mueva la herramienta con la guía recta a ras con el costado de la pieza de trabajo.

► Fig.12: 1. Barra de la guía 2. Tornillo de fijación 3. Guía recta

Si la distancia (A) entre el costado de la pieza de trabajo y la posición de corte es muy ancha para la guía recta, o si el costado de la pieza de trabajo no es recto, la guía recta no se puede utilizar. En este caso, amordace firmemente un listón recto en la pieza de trabajo y utilícelo como guía contra la base de la recortadora. Avance la herramienta en la dirección de la flecha.

► Fig.13

Juego de boquilla de polvo (específico para cada país)

Utilice la boquilla de polvo para la extracción de polvo. Instale la boquilla de polvo en la base de la herramienta utilizando el tornillo de mano de forma que la protuberancia de la boquilla de polvo encaje en la ranura de la base de la herramienta. Después conecte un aspirador a la boquilla de polvo.

► Fig.14: 1. Boquilla de polvo 2. Tornillo de mano

► Fig.15

MANTENIMIENTO

⚠PRECAUCIÓN: Asegúrese siempre de que la herramienta está apagada y desenchufada antes de intentar realizar la inspección o el mantenimiento.

AVISO: No utilice nunca gasolina, bencina, disolvente, alcohol o similares. Podría producir descoloración, deformación o grietas.

Para mantener la SEGURIDAD y FIABILIDAD del producto, las reparaciones, y cualquier otra tarea de mantenimiento o ajuste deberán ser realizadas en centros de servicio o de fábrica autorizados por Makita, empleando siempre repuestos Makita.

ACCESORIOS OPCIONALES

⚠PRECAUCIÓN: Estos accesorios o aditamentos están recomendados para su uso con la herramienta Makita especificada en este manual. El uso de cualquier otro accesorio o aditamento puede suponer un riesgo de heridas personales. Utilice el accesorio o aditamento solamente con la finalidad indicada para el mismo.

Si necesita cualquier ayuda para más detalles en relación con estos accesorios, pregunte al centro de servicio Makita local.

- Fresas rectas y de formación de ranuras
- Fresas de formación de bordes
- Fresas de recorte de laminados

NOTA: Algunos elementos de la lista podrán estar incluidos en el paquete de la herramienta como accesorios estándar. Pueden variar de un país a otro.

Fresas

Fresa recta

► Fig.16

Unidad: mm

D	A	L1	L2
6	20	50	15
1/4"			
8	8	60	25
6	8	50	18
1/4"			
6	6	50	18
1/4"			

Fresa en "U"

► Fig.17

Unidad: mm

D	A	L1	L2	R
6	6	50	18	3

Fresa en "V"

► Fig.18

Unidad: mm

D	A	L1	L2	θ
1/4"	20	50	15	90°

Fresa de recorte a ras con punta de broca

► Fig.19

Unidad: mm

D	A	L1	L2	L3
8	8	60	20	35
6	6	60	18	28

Fresa de recorte a ras doble con punta de broca

► Fig.20

Unidad: mm

D	A	L1	L2	L3	L4
8	8	80	55	20	25
6	6	70	40	12	14

Fresa de redondeado de esquinas

► Fig.21

Unidad: mm

D	A1	A2	L1	L2	L3	R
6	25	9	48	13	5	8
6	20	8	45	10	4	4

Fresa de chaflanado

► Fig.22

Unidad: mm

D	A	L1	L2	L3	θ
6	23	46	11	6	30°
6	20	50	13	5	45°
6	20	49	14	2	60°

Fresa de moldura redonda de media caña

► Fig.23

Unidad: mm

D	A	L1	L2	R
6	20	43	8	4
6	25	48	13	8

Fresa de recorte a ras con rodamiento

► Fig.24

Unidad: mm

D	A	L1	L2
6	10	50	20
1/4"			

Fresa de redondeado de esquinas con rodamiento

► Fig.25

Unidad: mm

D	A1	A2	L1	L2	L3	R
6	15	8	37	7	3,5	3
6	21	8	40	10	3,5	6
1/4"	21	8	40	10	3,5	6

Fresa de chaflanado con rodamiento

► Fig.26

Unidad: mm

D	A1	A2	L1	L2	θ
6	26	8	42	12	45°
1/4"					
6	20	8	41	11	60°

Fresa de moldura redonda con rodamiento

► Fig.27

Unidad: mm

D	A1	A2	A3	L1	L2	L3	R
6	20	12	8	40	10	5,5	4
6	26	12	8	42	12	4,5	7

Fresa de moldura redonda de media caña con rodamiento

► Fig.28

Unidad: mm

D	A1	A2	A3	A4	L1	L2	L3	R
6	20	18	12	8	40	10	5,5	3
6	26	22	12	8	42	12	5	5

Fresa de gola romana con rodamiento

► Fig.29

Unidad: mm

D	A1	A2	L1	L2	L3	R1	R2
6	20	8	40	10	4,5	2,5	4,5
6	26	8	42	12	4,5	3	6

ESPECIFICAÇÕES

Modelo:	M3601
Capacidade da pinça de aperto	6 mm, 1/4" e/ou 8 mm
Capacidade de corte	0 - 35 mm
Velocidade sem carga	27.000 min ⁻¹
Altura geral	218 mm
Peso líquido	2,7 kg
Classe de segurança	▣/II

- Devido a um programa contínuo de pesquisa e desenvolvimento, estas especificações podem ser alteradas sem aviso prévio.
- As especificações podem variar de país para país.
- Peso de acordo com o Procedimento EPTA 01/2014

Utilização a que se destina

A ferramenta é utilizada para rebarbamento à face e para perfilar madeira, plástico e materiais semelhantes.

Alimentação

A ferramenta só deve ser ligada a uma fonte de alimentação com a mesma tensão da indicada na placa de características, e só funciona com alimentação de corrente alterna (CA) monofásica. Tem um sistema de isolamento duplo e pode, por isso, utilizar tomadas sem ligação à terra.

Ruído

A característica do nível de ruído A determinado de acordo com a EN62841-2-17:

Nível de pressão acústica (L_{pA}): 89 dB (A)

Nível de potência acústica (L_{WA}): 100 dB (A)

Variabilidade (K): 3 dB (A)

NOTA: O(s) valor(es) da emissão de ruído indicado(s) foi medido de acordo com um método de teste padrão e pode ser utilizado para comparar duas ferramentas.

NOTA: O(s) valor(es) da emissão de ruído indicado(s) pode também ser utilizado na avaliação preliminar da exposição.

⚠️ AVISO: Utilize protetores auriculares.

⚠️ AVISO: A emissão de ruído durante a utilização real da ferramenta elétrica pode diferir do(s) valor(es) indicado(s), dependendo das formas como a ferramenta é utilizada, especialmente o tipo de peça de trabalho que é processada.

⚠️ AVISO: Certifique-se de identificar as medidas de segurança para proteção do operador que sejam baseadas em uma estimativa de exposição em condições reais de utilização (considerando todas as partes do ciclo de operação, tal como quando a ferramenta está desligada e quando está a funcionar em marcha lenta além do tempo de acionamento).

Vibração

Valor total da vibração (soma vetorial tri-axial) determinado de acordo com a EN62841-2-17:

Modo de trabalho: cortar ranhuras em MDF

Emissão de vibração (a_{rh}): 7,9 m/s²

Variabilidade (K): 1,6 m/s²

NOTA: O(s) valor(es) total(ais) de vibração indicado(s) foi medido de acordo com um método de teste padrão e pode ser utilizado para comparar duas ferramentas.

NOTA: O(s) valor(es) total(ais) de vibração indicado(s) pode também ser utilizado na avaliação preliminar da exposição.

⚠️ AVISO: A emissão de vibração durante a utilização real da ferramenta elétrica pode diferir do(s) valor(es) indicado(s), dependendo das formas como a ferramenta é utilizada, especialmente o tipo de peça de trabalho que é processada.

⚠️ AVISO: Certifique-se de identificar as medidas de segurança para proteção do operador que sejam baseadas em uma estimativa de exposição em condições reais de utilização (considerando todas as partes do ciclo de operação, tal como quando a ferramenta está desligada e quando está a funcionar em marcha lenta além do tempo de acionamento).

Declaração de conformidade da CE

Apenas para os países europeus

A declaração de conformidade da CE está incluída como Anexo A neste manual de instruções.

AVISOS DE SEGURANÇA

Avisos gerais de segurança para ferramentas elétricas

⚠️ AVISO: Leia todos os avisos de segurança, instruções, ilustrações e especificações fornecidos com esta ferramenta elétrica. O não cumprimento de todas as instruções indicadas em baixo pode resultar em choque elétrico, incêndio e/ou ferimentos graves.

Guarde todos os avisos e instruções para futuras referências.

O termo "ferramenta elétrica" nos avisos refere-se às ferramentas elétricas ligadas à corrente elétrica (com cabo) ou às ferramentas elétricas operadas por meio de bateria (sem cabo).

Avisos de segurança da tupa

1. **Segure a ferramenta elétrica apenas pelas superfícies de agarramento isoladas, porque o cortador pode entrar em contacto com o seu próprio cabo.** Cortar um fio sob tensão poderá colocar peças metálicas expostas da ferramenta elétrica sob tensão e pode causar um choque elétrico no operador.
2. **Utilize braçadeiras ou outra forma prática de fixar e suportar a peça de trabalho numa plataforma estável.** Segurar a peça de trabalho com a mão ou contra o corpo deixa-a instável e pode levar a perda de controlo.
3. **A haste da cabeça do cortador tem de corresponder à pinça de aperto concebida.**
4. **Utilize apenas uma cabeça com uma classificação de, pelo menos, igual à velocidade máxima marcada na ferramenta.**
5. **Use proteções auriculares durante períodos alargados de operação.**
6. **Manuseie as cabeças da tupa com muito cuidado.**
7. **Verifique a cabeça da tupa cuidadosamente para ver se tem rachas ou danos antes da operação.** Substitua imediatamente as cabeças rachadas ou danificadas.
8. **Evite cortar pregos.** Inspeccione e remova todos os pregos da peça de trabalho antes da operação.
9. **Segure a ferramenta com firmeza com ambas as mãos.**
10. **Mantenha as mãos afastadas das peças rotativas.**
11. **Certifique-se de que a cabeça da tupa não está em contacto com a peça de trabalho antes de ligar o interruptor.**
12. **Antes de utilizar a ferramenta numa peça de trabalho real, deixe-a funcionar durante algum tempo.** Verifique se sente vibrações ou flutuações que possam indicar uma cabeça mal instalada.

13. **Tenha cuidado com a direção de rotação da cabeça da tupa e com a direção de alimentação.**
14. **Não deixe a ferramenta a funcionar. Opere a ferramenta apenas quando a tem na mão.**
15. **Desligue sempre a ferramenta e espere que a cabeça da tupa pare completamente antes de remover a ferramenta da peça de trabalho.**
16. **Não toque na cabeça da tupa imediatamente a seguir à operação.** Pode estar extremamente quente e provocar queimaduras na sua pele.
17. **Não espalhe diluente, gasolina, óleo ou outro produto semelhante descuidadamente na base da ferramenta.** Estes produtos podem provocar rachas na base da ferramenta.
18. **Alguns materiais contêm produtos químicos que podem ser tóxicos.** Tome cuidado para evitar a inalação de poeiras e o contacto com a pele. Siga os dados de segurança do fornecedor do material.
19. **Utilize sempre a máscara/respirador contra poeira adequado ao material e à aplicação com que está a trabalhar.**

GUARDE ESTAS INSTRUÇÕES.

⚠️ AVISO: NÃO permita que o conforto ou familiaridade com o produto (adquirido com o uso repetido) substitua o cumprimento estrito das regras de segurança da ferramenta. A MÁ INTERPRETAÇÃO ou o não seguimento das regras de segurança estabelecidas neste manual de instruções pode provocar ferimentos pessoais graves.

DESCRIÇÃO FUNCIONAL

⚠️ PRECAUÇÃO: Certifique-se sempre de que a ferramenta está desligada e com a ficha retirada da tomada, antes de proceder a afinações ou de verificar o funcionamento da respetiva ferramenta.

Ajustar a profundidade do corte

1. Coloque a ferramenta numa superfície plana. Solte o parafuso que fixa o polo batente.
▶ **Fig.1:** 1. Polo batente 2. Parafuso
2. Solte a alavanca de bloqueio e baixe o corpo da ferramenta até a cabeça da tupa tocar na superfície plana. Aperte a alavanca de bloqueio para bloquear o corpo da ferramenta.
▶ **Fig.2:** 1. Alavanca de bloqueio 2. Parafuso
3. Baixe o polo batente até ele estar em contacto com o perno hexagonal de ajuste. Alinhe o ponteiro de profundidade com a graduação "0".
▶ **Fig.3:** 1. Ponteiro de profundidade 2. Parafuso
3. Polo batente 4. Perno hexagonal de ajuste
5. Bloco batente
4. Levante o polo batente até obter a profundidade de corte pretendida. A profundidade de corte é indicada na régua (1 mm por graduação) pelo ponteiro de profundidade. Depois, aperte o parafuso para fixar o polo batente.
5. A profundidade de corte predeterminada pode ser obtida soltando a alavanca de bloqueio e, depois, baixando o corpo da ferramenta até o polo batente entrar em contacto com o perno hexagonal de ajuste.

⚠️ PRECAUÇÃO: Uma vez que o corte excessivo pode provocar sobrecarga do motor ou dificuldade em controlar a ferramenta, a profundidade do corte não deve ser superior a 15 mm (9/16") numa passagem durante o corte de ranhuras com uma cabeça com 8 mm (5/16") de diâmetro.

⚠️ PRECAUÇÃO: Quando cortar ranhuras com uma cabeça de 20 mm (13/16") de diâmetro, a profundidade do corte não deve ser superior a 5 mm (3/16") numa passagem.

⚠️ PRECAUÇÃO: Quando pretende cortar ranhuras com mais de 15 mm (9/16") de profundidade com uma cabeça de 8 mm (5/16") de diâmetro ou com mais de 5 mm (3/16") de profundidade com uma cabeça de 20 mm (13/16") de diâmetro, realize várias passagens com configurações progressivamente mais fundas da cabeça.

Bloco batente

O bloco batente tem três Pernos hexagonais de ajuste que sobem ou descem 0,8 mm (aprox. 1/32") por volta. Pode obter facilmente três profundidades de corte diferentes utilizando estes Pernos hexagonais de ajuste sem reajustar o polo batente.

▶ **Fig.4:** 1. Ponteiro de profundidade 2. Parafuso
3. Polo batente 4. Perno hexagonal de ajuste
5. Bloco batente

1. Ajuste o perno hexagonal mais baixo para obter a profundidade de corte mais funda, seguindo o método em "Ajustar a profundidade do corte".
2. Ajuste os dois restantes Pernos hexagonais para obter profundidades mais superficiais do corte. As diferenças em altura destes Pernos hexagonais são iguais às diferenças das profundidades dos cortes.
3. Gire os Pernos hexagonais para ajustar a profundidade. O bloco batente também é conveniente para realizar três passagens com configurações da cabeça progressivamente mais fundas quando cortar ranhuras fundas.

NOTA: Quando utilizar uma cabeça com um comprimento total de 60 mm (2-3/8") ou mais, ou com um comprimento da extremidade de 35 mm (1-3/8") ou mais, a profundidade de corte não pode ser ajustada como mencionado anteriormente. Para ajustar, proceda da seguinte forma:

1. Solte a alavanca de bloqueio e, cuidadosamente, ajuste a saliência da cabeça por baixo da base da ferramenta até à profundidade de corte pretendida movendo o corpo da ferramenta para cima ou para baixo.
2. Volte a apertar a alavanca de bloqueio para bloquear o corpo da ferramenta nessa profundidade de corte. Mantenha o corpo da ferramenta bloqueado nesta posição durante a utilização.

Uma vez que a cabeça fica sempre saliente da base da ferramenta, tenha cuidado quando manusear a ferramenta.

Ajustar a alavanca de bloqueio

A posição bloqueada da alavanca de bloqueio é regulável. Para a ajustar, retire o parafuso que fixa a alavanca de bloqueio. A alavanca de bloqueio solta-se. Coloque a alavanca de bloqueio no ângulo pretendido. Após o ajuste, aperte a alavanca de bloqueio para a direita.

▶ **Fig.5:** 1. Alavanca de bloqueio 2. Parafuso

Ação do interruptor

⚠️ PRECAUÇÃO: Antes de ligar a ficha da ferramenta, verifique sempre que o gatilho funciona adequadamente e volta à posição de desligado quando se solta.

Para pôr a ferramenta a funcionar, puxe o gatilho. Solte o gatilho para parar.

▶ **Fig.6:** 1. Gatilho

MONTAGEM

⚠️ PRECAUÇÃO: Certifique-se sempre de que a ferramenta está desligada e com a ficha retirada da tomada antes de executar quaisquer trabalhos na ferramenta.

Instalar ou remover a cabeça da tupa

Insira a cabeça até ao fim no cone de aperto e aperte a porca de aperto em segurança com as duas chaves. Utilize o cone de aperto de tamanho correto para a cabeça que pretende utilizar.

► Fig.7

Para remover a cabeça, siga o procedimento de instalação pela ordem inversa.

⚠️ PRECAUÇÃO: Instale a cabeça da tupa em segurança. Utilize sempre apenas a chave fornecida com a ferramenta. As cabeças da tupa soltas ou demasiado apertadas podem ser perigosas.

⚠️ PRECAUÇÃO: Não aperte a porca de aperto sem inserir uma cabeça. Isso pode fazer com que o cone de aperto se parta.

Mudar o cone de aperto

Específico para o país

OBSERVAÇÃO: Utilize o cone de aperto de tamanho correto para a broca que irá utilizar.

OBSERVAÇÃO: Não aperte a porca de aperto sem instalar uma broca; caso contrário, o cone de aperto pode partir-se.

► Fig.8: 1. Cone de aperto 2. Porca de aperto
3. Cabeça

Para mudar o cone de aperto, solte a porca de aperto e remova. Substitua o cone de aperto instalado pelo cone de aperto pretendido. Volte a instalar a porca de aperto.

OPERAÇÃO

Coloque a base da ferramenta na peça de trabalho a cortar sem que a cabeça da tupa esteja em contacto com a mesma. Depois, ligue a ferramenta e aguarde até a cabeça da tupa atingir a velocidade máxima. Baixe o corpo da ferramenta e mova a ferramenta para a frente sobre a superfície da peça de trabalho, mantendo a base da ferramenta à face e avançando suavemente até o corte estar completo.

Quando se realizam cortes de extremidades, a superfície da peça de trabalho deve estar no lado esquerdo da cabeça da tupa na direção de alimentação.

► Fig.9: 1. Peça de trabalho 2. Direção de rotação da cabeça 3. Vista a partir do topo da ferramenta 4. Direção de alimentação

NOTA: Mover a ferramenta para a frente demasiado depressa pode provocar cortes de má qualidade ou danificar a cabeça da tupa ou o motor. Mover a ferramenta para a frente devagar demais pode queimar e danificar o corte. A taxa de alimentação adequada depende do tamanho da cabeça da tupa, do tipo de peça de trabalho e da profundidade do corte.

Antes de começar o corte na peça de trabalho, é aconselhável realizar um corte de amostragem num pedaço de desperdício de madeira. Assim ficará a saber exatamente qual será o aspeto do corte, bem como lhe permitirá verificar as dimensões.

NOTA: Quando se utiliza a guia reta ou a guia apuradora, certifique-se que a instala no lado direito na direção de alimentação. Isto ajudará a mantê-la à face da parte lateral da peça de trabalho.

► Fig.10: 1. Direção de alimentação 2. Direção de rotação da cabeça 3. Peça de trabalho
4. Guia reta

Guia reta

A guia reta é utilizada eficazmente para cortes retos durante a chanfragem ou ranhuração.

► Fig.11

Para instalar a guia reta, insira as barras da guia nos orifícios na base da ferramenta. Ajuste a distância entre a cabeça e a guia reta. À distância pretendida, aperte os pernos de orelhas para fixar a guia reta no lugar. Quando cortar, mova a ferramenta com a guia reta à face da parte lateral da peça de trabalho.

► Fig.12: 1. Barra da guia 2. Parafuso de fixação
3. Guia reta

Se a distância (A) entre a parte lateral da peça de trabalho e a posição de corte for demasiado larga para a guia reta ou se a parte lateral da peça de trabalho não for reta, a guia reta não pode ser utilizada. Neste caso, fixe firmemente uma prancha reta à peça de trabalho e utilize-a como guia contra a base apuradora. Alimente a ferramenta na direção da seta.

► Fig.13

Conjunto de bocal de poeira (específico do país)

Utilize o bocal de poeira para extração da poeira. Instale o bocal de poeira na base da ferramenta utilizando o parafuso de orelhas de forma que a saliência no bocal de poeira encaixe no entalhe na base da ferramenta. Depois, ligue um aspirador ao bocal de poeira.

► Fig.14: 1. Bocal de poeira 2. Parafuso de orelhas

► Fig.15

MANUTENÇÃO

⚠️ PRECAUÇÃO: Certifique-se sempre de que a ferramenta está desligada e com a ficha retirada da tomada antes de tentar proceder à inspeção ou à manutenção.

OBSERVAÇÃO: Nunca utilize gasolina, benzina, diluente, álcool ou produtos semelhantes. Pode ocorrer a descoloração, deformação ou rachaduras.

Para manter a SEGURANÇA e a FIABILIDADE do produto, as reparações e qualquer outra manutenção ou ajuste devem ser levados a cabo pelos centros de assistência Makita autorizados ou pelos centros de assistência de fábrica, utilizando sempre peças de substituição Makita.

ACESSÓRIOS OPCIONAIS

⚠️ PRECAUÇÃO: Estes acessórios ou peças são recomendados para utilização com a ferramenta Makita especificada neste manual. A utilização de outros acessórios ou peças pode ser perigosa para as pessoas. Utilize apenas acessórios ou peças para os fins indicados.

Se necessitar de informações adicionais relativas a estes acessórios, solicite-as ao seu centro de assistência Makita.

- Cabeças retas e para formação de ranhuras
- Cabeças para formação de extremidades
- Cabeças aparadoras de laminados

NOTA: Alguns itens da lista podem estar incluídos na embalagem da ferramenta como acessórios padrão. Eles podem variar de país para país.

Cabeças da tupia

Cabeça reta

► Fig.16

Unidade: mm

D	A	L1	L2
6	20	50	15
1/4"			
8	8	60	25
6			
1/4"	8	50	18
6			
1/4"	6	50	18
6			

Cabeça de ranhuragem em "U"

► Fig.17

Unidade: mm

D	A	L1	L2	R
6	6	50	18	3

Cabeça de ranhuragem em "V"

► Fig.18

Unidade: mm

D	A	L1	L2	θ
1/4"	20	50	15	90°

Cabeça de rebarbamento à face do ponto de perfuração

► Fig.19

Unidade: mm

D	A	L1	L2	L3
8	8	60	20	35
6	6	60	18	28

Cabeça de rebarbamento à face do duplo ponto de perfuração

► Fig.20

Unidade: mm

D	A	L1	L2	L3	L4
8	8	80	55	20	25
6	6	70	40	12	14

Cabeça para arredondamento de cantos

► Fig.21

Unidade: mm

D	A1	A2	L1	L2	L3	R
6	25	9	48	13	5	8
6	20	8	45	10	4	4

Cabeça de chanfragem

► Fig.22

Unidade: mm

D	A	L1	L2	L3	θ
6	23	46	11	6	30°
6	20	50	13	5	45°
6	20	49	14	2	60°

Cabeça de rebordos de ansa

► Fig.23

Unidade: mm

D	A	L1	L2	R
6	20	43	8	4
6	25	48	13	8

Cabeça de rebarbamento à face com rolamento de esferas

► Fig.24

Unidade: mm

D	A	L1	L2
6	10	50	20
1/4"			

Cabeça de arredondamento de cantos com rolamento de esferas

► Fig.25

Unidade: mm

D	A1	A2	L1	L2	L3	R
6	15	8	37	7	3,5	3
6	21	8	40	10	3,5	6
1/4"	21	8	40	10	3,5	6

Cabeça de chanfragem com rolamento de esferas

► Fig.26

Unidade: mm

D	A1	A2	L1	L2	θ
6	26	8	42	12	45°
1/4"					
6	20	8	41	11	60°

Cabeça de rebordos com rolamento de esferas

► Fig.27

Unidade: mm

D	A1	A2	A3	L1	L2	L3	R
6	20	12	8	40	10	5,5	4
6	26	12	8	42	12	4,5	7

Cabeça de rebordos de ansa com rolamento de esferas

► Fig.28

Unidade: mm

D	A1	A2	A3	A4	L1	L2	L3	R
6	20	18	12	8	40	10	5,5	3
6	26	22	12	8	42	12	5	5

Cabeça de asa em arco duplo romano com rolamento de esferas

► Fig.29

Unidade: mm

D	A1	A2	L1	L2	L3	R1	R2
6	20	8	40	10	4,5	2,5	4,5
6	26	8	42	12	4,5	3	6

SPECIFIKATIONER

Model:	M3601
Kapacitet af indsatspatron	6 mm, 1/4" og/eller 8 mm
Kapacitet af indstik	0 - 35 mm
Hastighed uden belastning	27.000 min ⁻¹
Samlet højde	218 mm
Nettovægt	2,7 kg
Sikkerhedsklasse	□/II

- På grund af vores kontinuerlige forsknings- og udviklingsprogrammer kan hosstående specifikationer blive ændret uden varsel.
- Specifikationer kan variere fra land til land.
- Vægt i henhold til EPTA-procedure 01/2014

Tilsluttet anvendelse

Maskinen er beregnet til tilskæring og afdrejning af træ, plastik og lignende materialer.

Strømforsyning

Maskinen må kun tilsluttes en strømforsyning med samme spænding som angivet på typeskiltet og kan kun anvendes på enfaset vekselstrømforsyning. Den er dobbeltisoleret og kan derfor også tilsluttes netstik uden jordforbindelse.

Støj

Det typiske A-vægtede støjniveau bestemt i overensstemmelse med EN62841-2-17:

Lydtrykniveau (L_{pA}): 89 dB (A)

Lydeffektniveau (L_{WA}): 100 dB (A)

Usikkerhed (K): 3 dB (A)

BEMÆRK: De(n) angivne støjemissionsværdi(er) er målt i overensstemmelse med en standardtestmetode og kan anvendes til at sammenligne en maskine med en anden.

BEMÆRK: De(n) angivne støjemissionsværdi(er) kan også anvendes i en præliminær eksponeringsvurdering.

⚠ ADVARSEL: Bær høreværn.

⚠ ADVARSEL: Støjemissionen under den faktiske anvendelse af maskinen kan være forskellig fra de(n) angivne værdi(er), afhængigt af den måde hvorpå maskinen anvendes, især den type arbejdsemne der behandles.

⚠ ADVARSEL: Sørg for at identificere de sikkerhedsforskrifter til beskyttelse af operatøren, som er baseret på en vurdering af eksponering under de faktiske brugsforhold (med hensyntagen til alle dele i brugscyklussen, f.eks. de gange, hvor maskinen er slukket, og når den kører i tomgang i tilgift til afbrydertiden).

Vibration

Vibrationens totalværdi (tre-aksial vektorsum) bestemt i overensstemmelse med EN62841-2-17:

Arbejdstilstand: skæring af riller i MDF

Vibrationsemission (a_h): 7,9 m/s²

Usikkerhed (K): 1,6 m/s²

BEMÆRK: De(n) angivne totalværdi(er) for vibration er målt i overensstemmelse med en standardtestmetode og kan anvendes til at sammenligne en maskine med en anden.

BEMÆRK: De(n) angivne totalværdi(er) for vibration kan også anvendes i en præliminær eksponeringsvurdering.

⚠ ADVARSEL: Vibrationsemissionen under den faktiske anvendelse af maskinen kan være forskellig fra de(n) angivne værdi(er), afhængigt af den måde hvorpå maskinen anvendes, især den type arbejdsemne der behandles.

⚠ ADVARSEL: Sørg for at identificere de sikkerhedsforskrifter til beskyttelse af operatøren, som er baseret på en vurdering af eksponering under de faktiske brugsforhold (med hensyntagen til alle dele i brugscyklussen, f.eks. de gange, hvor maskinen er slukket, og når den kører i tomgang i tilgift til afbrydertiden).

EF-overensstemmelseserklæring

Kun for lande i Europa

EF-overensstemmelseserklæringen er inkluderet som Bilag A i denne brugsanvisning.

SIKKERHEDSADVARSLER

Almindelige sikkerhedsregler for el-værktøj

⚠ ADVARSEL: Læs alle de sikkerhedsadvarsler, instruktioner, illustrationer og specifikationer, der følger med denne maskine. Forsømmelse af at overholde alle nedenstående instruktioner kan medføre elektrisk stød, brand og/eller alvorlig personskade.

Gem alle advarsler og instruktioner til fremtidig reference.

Ordet "el-værktøj" i advarslerne henviser til det netforsyede (netledning) el-værktøj eller batteriforsyede (akku) el-værktøj.

Sikkerhedsadvarsler for overfræser

1. **Hold kun maskinen i de isolerede gribeblader, da skæreren kan komme i kontakt med sin egen ledning.** Hvis der skæres i en strømførende ledning, kan udsatte metaldele på maskinen også blive strømførende, hvorved operatøren kan få elektrisk stød.
2. **Brug skruetvinger eller en anden praktisk måde til at fastgøre og understøtte arbejdsområdet til en stabil platform.** Hvis arbejdsområdet holdes i hånden eller mod kroppen, er det ustabil, hvilket kan medføre, at du mister kontrollen.
3. **Skærebittens aksel skal matche den designede spændepatron.**
4. **Brug kun en bit som er normeret til mindst at være det samme som den maksimale hastighed, der er angivet på maskinen.**
5. **Bær høreværn ved længere tids brug.**
6. **Håndter overfræserbits yderst forsigtigt.**
7. **Kontroller overfræserbitten omhyggeligt for revner eller beskadigelse før brugen. Udskift øjeblikkeligt en revnet eller beskadiget bit.**
8. **Undgå at skære i søm. Se efter og fjern alle søm fra arbejdsområdet, før arbejdet påbegyndes.**
9. **Hold godt fast i maskinen med begge hænder.**
10. **Hold hænderne på afstand af roterende dele.**
11. **Sørg for, at overfræserbitten ikke er i kontakt med arbejdsområdet, før der tændes ved kontakten.**
12. **Lad maskinen køre et stykke tid, før den anvendes på et egentligt arbejdsområde. Se efter vibration eller rysten, der kan tyde på en forkert monteret bit.**
13. **Vær opmærksom på overfræserbittens rotationsretning og fremføringsretningen.**
14. **Lad ikke maskinen ligge og køre. Brug kun maskinen, når den holdes i hænderne.**
15. **Sluk altid, og vent, til overfræserbitten er helt stoppet, før maskinen fjernes fra arbejdsområdet.**
16. **Undlad at berøre overfræserbitten umiddelbart efter brugen. Den kan være meget varm og kan forårsage forbrændinger.**
17. **Udsæt ikke ved skødesløshed maskinens fod for fortynder, benzin, olie eller lignende. De kan forårsage revner i maskinens fod.**
18. **Nogle materialer indeholder kemikalier, der kan være giftige. Sørg omhyggeligt for at undgå indånding af støv samt kontakt med huden. Følg materialeleverandørens sikkerhedsdata.**
19. **Anvend altid den/det korrekte støvmaske/ åndedrætsværn til det materiale og den anvendelse, du arbejder med.**

GEM DISSE FORSKRIFTER.

⚠ADVARSEL: LAD IKKE bekvemmelighed eller kendskab til produktet (opnået gennem gentagen brug) forhindre, at sikkerhedsforskrifterne for produktet nøje overholdes. MISBRUG eller forsømmelse af at følge de i denne brugsvejledning givne sikkerhedsforskrifter kan medføre alvorlig personskade.

FUNKTIONSBESKRIVELSE

⚠FORSIGTIG: Kontrollér altid, at maskinen er slået fra, og at netstikket er trukket ud, før der udføres justeringer, eller funktioner kontrolleres på maskinen.

Justering af skæredybden

1. Placer maskinen på en flad overflade. Løsn den skrue, der holder stopskruen fast.
► **Fig.1:** 1. Stopskruer 2. Skrue
2. Løsn låsehåndtaget, og sænk værktøjets kabinet, indtil overfræserbitten lige nøjagtigt berører den flade overflade. Stram låsehåndtaget for at låse værktøjets kabinet.
► **Fig.2:** 1. Låsehåndtag 2. Skrue
3. Sænk stopskruen, indtil den berører sekskantboltens til justering. Juster dybdevælgeren i forhold til "0"-inddelingen.
► **Fig.3:** 1. Dybdevælger 2. Skrue 3. Stopskruer 4. Sekskantbolt til justering 5. Stopblok
4. Løft stopskruen, indtil den ønskede skæredybde er indstillet. Skæredybden fremgår af skalaen (1 mm pr. inddeling) for dybdevælgeren. Stram derefter skruen for at fastgøre stopskruen.
5. Den forudindstillede skæredybde kan opnås ved at løse låsehåndtaget og derefter sænke værktøjets kabinet, indtil stopskruen berører sekskantboltens til justering.

⚠FORSIGTIG: Eftersom overdreven skæring kan medføre overbelastning af motoren eller problemer med at kontrollere maskinen, må skæredybden ikke være større end 15 mm (9/16") pr. arbejdsområde ved skæring af riller med en bit med en diameter på 8 mm (5/16").

⚠FORSIGTIG: Ved skæring af riller med en bit med en diameter på 20 mm (13/16") må skæredybden ikke være større end 5 mm (3/16") pr. arbejdsområde.

⚠FORSIGTIG: Hvis du vil skære riller, som er dybere end 15 mm (9/16"), med en bit med en diameter på 8 mm (5/16"), eller dybere end 5 mm (3/16") med en bit med en diameter på 20 mm (13/16"), skal du foretage flere arbejdsområder med stadig dybere bitindstillinger.

Stopblok

Stopblokken har tre sekskantbolte til justering, som hæves eller sænkes 0,8 mm (ca. 1/32") pr. omgang. Du kan nemt indstille tre forskellige skæredybder vha. disse sekskantbolte til justering uden at justere stopskruen igen.

► **Fig.4:** 1. Dybdevælger 2. Skruer 3. Stopskruer 4. Sekskantbolt til justering 5. Stopblok

1. Juster den nederste sekskantbolt for at opnå den største skæredybde, idet du følger fremgangsmåden under "Justering af skæredybden".
2. Juster de to øvrige sekskantbolte for at opnå mindre skæredybder. Højdeforskellene mellem disse sekskantbolte er lig med forskellene i skæredybde.
3. Drej sekskantboltene for at justere dybden. Stopblokken er også praktisk til at foretage tre arbejds-pas med stadigt dybere bitindstillinger, når der skæres dybe riller.

BEMÆRK: Hvis der benyttes en bit med en samlet længde på 60 mm (2-3/8") eller mere eller en kantlængde på 35 mm (1-3/8") eller mere, kan skæredybden ikke justeres som tidligere beskrevet. Benyt følgende fremgangsmåde for at justere:

1. Løs låsehåndtaget, og juster forsigtigt bitfrem-springet under maskinens fod til den ønskede skæredybde ved at flytte maskinens kabinet op eller ned.
2. Stram låsehåndtaget igen for at låse værktøjets kabinet ved den pågældende skæredybde. Hold maskinens kabinet låst i denne stilling under brug.

Da bittens altid stikker frem under maskinens fod, skal du være forsigtig, når du håndterer maskinen.

Justering af låsehåndtaget

Låsehåndtagets låste position kan justeres. Fjern den skrue, der holder låsehåndtaget fast, for at justere den. Låsehåndtaget kommer af. Indstil låsehåndtaget i den ønskede vinkel. Stram låsehåndtaget i retningen med uret efter justeringen.

► **Fig.5:** 1. Låsehåndtag 2. Skruer

Afbryderfunktion

⚠FORSIGTIG: Før maskinen tilkobles, skal du altid kontrollere, at afbryderknappen aktiveres korrekt og går tilbage i FRA-stillingen, når den slippes.

For at starte maskinen skal du blot trykke på afbryderknappen. Slip afbryderknappen for at stoppe.

► **Fig.6:** 1. Afbryderknop

SAMLING

⚠FORSIGTIG: Sørg altid for, at maskinen er slukket og taget ud af forbindelse, inden der udføres nogen form for arbejde på maskinen.

Montering eller afmontering af overfræserbitten

Sæt bittens helt ind i patronkeglen, og stram patronmøtrikken godt til med de to skrueøglere. Brug en patronkegle med den rigtige størrelse til den bit, du vil bruge.

► **Fig.7**

Følg monteringsproceduren i omvendt rækkefølge for at afmontere bittens.

⚠FORSIGTIG: Monter overfræserbittens fast. Brug altid kun den medfølgende skrueøgle med maskinen. En løs eller overstrammet overfræserbit kan være farlig.

⚠FORSIGTIG: Undlad at tilspænde patronmøtrikken uden at indsætte en bit. Det kan medføre, at patronkeglen går i stykker.

Skift af patronkeglen

Landespecifikt

BEMÆRKNING: Brug en patronkegle med den rigtige størrelse til den bit, du skal bruge.

BEMÆRKNING: Undlad at tilspænde patronmøtrikken uden at montere en bit, da patronkeglen ellers muligvis vil gå i stykker.

► **Fig.8:** 1. Patronkegle 2. Patronmøtrik 3. Bit

For at skifte patronkeglen skal du løsne patronmøtrikken og fjerne den. Udskift den monterede patronkegle med den ønskede patronkegle. Monter patronmøtrikken igen.

ANVENDELSE

Placer maskinens fod på det arbejdsemne, der skal skæres i, uden at overfræserbittens har kontakt. Tænd derefter for maskinen, og vent, til overfræserbittens har nået fuld hastighed. Sænk maskinens kabinet, og flyt maskinen fremad over arbejdsemnets overflade, idet maskinens fod holdes plant, og der flyttes fremad med jævn hastighed, indtil skæret er færdigt.

Ved skæring af kanter, skal arbejdsemnets overflade være på venstre side af overfræserbittens i fremføringsretningen.

► **Fig.9:** 1. Arbejdsemne 2. Bittens omdrejningsretning 3. Set fra toppen af maskinen 4. Fremføringsretning

BEMÆRK: Hvis maskinen føres fremad for hurtigt, kan det medføre et dårligt snit eller beskadigelse af overfræserbitten eller motoren. Hvis maskinen flyttes for langsomt fremad, kan snittet blive brændt og ødelagt. Den korrekte fremføringshastighed afhænger af overfræserbitens størrelse, typen af arbejdsemne og skæredybden.

Før du starter snittet i det faktiske arbejdsemne, tilrådes det at foretage et prøvesnit i et stykke affaldstræ. Dette viser, nøjagtigt hvordan snittet vil se ud, og du kan kontrollere dimensionerne.

BEMÆRK: Ved brug af det lige styr eller tilskæringsstyret skal du sørge for at montere det i højre side i fremføringsretningen. Dette hjælper med at holde det justeret i forhold til siden af arbejdsemnet.

► **Fig.10:** 1. Fremføringsretning 2. Bittens omdrejningsretning 3. Arbejdsemne 4. Lige styr

Lige styr

Det lige styr anvendes effektivt til lige snit i forbindelse med skråfasning eller skæring af riller.

► **Fig.11**

For at montere det lige styr skal du sætte styreskinnerne i hullerne på maskinens fod. Juster afstanden mellem bittens og det lige styr. Tilspænd vingeboltene ved den ønskede afstand for at holde det lige styr på plads. Ved skæring skal du flytte maskinen, så det lige styr flugter med siden af arbejdsemnet.

► **Fig.12:** 1. Styreskinne 2. Blokeringsskrue 3. Lige styr

Hvis afstanden (A) mellem siden af arbejdsemnet og skærepositionen er for bred til det lige styr, eller hvis siden af arbejdsemnet ikke er lige, kan det lige styr ikke bruges. Spænd i så fald et lige bræt godt fast på arbejdsemnet, og brug det som styr mod foden af overfræseren. Fremfør maskinen i pilens retning.

► **Fig.13**

Støvmundstykket (landespecifik)

Brug støvmundstykket til at fjerne støv. Monter støvmundstykket på maskinens fod vha. fingerskruen, så fremspringet på støvmundstykket passer til indhakket i maskinens fod. Tilkobl derefter en støvsuger til støvmundstykket.

► **Fig.14:** 1. Støvmundstykke 2. Fingerskrue

► **Fig.15**

VEDLIGEHOLEDSE

⚠FORSIGTIG: Kontrollér altid, at der er slukket for maskinen, og at netstikket er trukket ud, før der udføres eftersyn eller vedligeholdelse.

BEMÆRKNING: Anvend aldrig benzin, rensebenzin, fortynder, alkohol og lignende. Det kan medføre misfarvning, deformation eller revner.

For at opretholde produktets SIKKERHED og PALIDELIGHED må reparation, vedligeholdelse eller justering kun udføres af et autoriseret Makita servicecenter eller fabrikksservicecenter med anvendelse af Makita reservedele.

EKSTRAUDSTYR

⚠FORSIGTIG: Det følgende tilbehør og ekstraudstyr er anbefalet til brug med Deres Makita maskine, der er beskrevet i denne brugsanvisning. Anvendelse af andet tilbehør eller ekstraudstyr kan udgøre en risiko for personskade. Anvend kun tilbehør og ekstraudstyr til det beskrevne formål.

Hvis De behøver hjælp ved valg af tilbehør eller ønsker yderligere informationer, bedes De kontakte Deres lokale Makita servicecenter.

- Lige- og rilleformningsbits
- Kantformningsbits
- Laminattilskæringsbits

BEMÆRK: Nogle ting på denne liste kan være inkluderet i værktøjsspakken som standardtilbehør. Det kan være forskellige fra land til land.

Overfræserbits

Lige bit

► **Fig.16**

Enhed: mm

D	A	L1	L2
6	20	50	15
1/4"			
8	8	60	25
6	8	50	18
1/4"			
6	6	50	18
1/4"			

“U”-rillebit

► **Fig.17**

Enhed: mm

D	A	L1	L2	R
6	6	50	18	3

“V”-rillebit

► **Fig.18**

Enhed: mm

D	A	L1	L2	θ
1/4"	20	50	15	90°

Bit til udglatning af borepunkt

► Fig.19

Enhed: mm

D	A	L1	L2	L3
8	8	60	20	35
6	6	60	18	28

Bit til dobbelt udglatning af borepunkt

► Fig.20

Enhed: mm

D	A	L1	L2	L3	L4
8	8	80	55	20	25
6	6	70	40	12	14

Bit til afrunding af hjørner

► Fig.21

Enhed: mm

D	A1	A2	L1	L2	L3	R
6	25	9	48	13	5	8
6	20	8	45	10	4	4

Skråfåsingsbit

► Fig.22

Enhed: mm

D	A	L1	L2	L3	θ
6	23	46	11	6	30°
6	20	50	13	5	45°
6	20	49	14	2	60°

Bugtbortlingsbit

► Fig.23

Enhed: mm

D	A	L1	L2	R
6	20	43	8	4
6	25	48	13	8

Bit til udglatning med kugleleje

► Fig.24

Enhed: mm

D	A	L1	L2
6	10	50	20
1/4"			

Bit til afrunding af hjørner med kugleleje

► Fig.25

Enhed: mm

D	A1	A2	L1	L2	L3	R
6	15	8	37	7	3,5	3
6	21	8	40	10	3,5	6
1/4"	21	8	40	10	3,5	6

Bit til skråfåsning med kugleleje

► Fig.26

Enhed: mm

D	A1	A2	L1	L2	θ
6	26	8	42	12	45°
1/4"					
6	20	8	41	11	60°

Bit til bertling med kugleleje

► Fig.27

Enhed: mm

D	A1	A2	A3	L1	L2	L3	R
6	20	12	8	40	10	5,5	4
6	26	12	8	42	12	4,5	7

Bit til bugtbortling med kugleleje

► Fig.28

Enhed: mm

D	A1	A2	A3	A4	L1	L2	L3	R
6	20	18	12	8	40	10	5,5	3
6	26	22	12	8	42	12	5	5

Antikkarnisbit med kugleleje

► Fig.29

Enhed: mm

D	A1	A2	L1	L2	L3	R1	R2
6	20	8	40	10	4,5	2,5	4,5
6	26	8	42	12	4,5	3	6

ΠΡΟΔΙΑΓΡΑΦΕΣ

Μοντέλο:	M3601
Ικανότητα μηχανισμού σύσφιξης	6 mm, 1/4" ή/και 8 mm
Ικανότητα βύθισης	0 - 35 mm
Ταχύτητα χωρίς φορτίο	27.000 min ⁻¹
Συνολικό ύψος	218 mm
Καθαρό βάρος	2,7 kg
Κατηγορία ασφάλειας	⊠/II

- Λόγω του συνεχόμενου προγράμματος που εφαρμόζουμε για έρευνα και ανάπτυξη, τα τεχνικά χαρακτηριστικά στο παρόν έντυπο υπόκεινται σε αλλαγή χωρίς προειδοποίηση.
- Τα τεχνικά χαρακτηριστικά μπορεί να διαφέρουν από χώρα σε χώρα.
- Βάρος σύμφωνα με διαδικασία ΕΡΤΑ 01/2014

Προοριζόμενη χρήση

Το εργαλείο προορίζεται για επίπεδη κοπή και μορφοποίηση ξύλου, πλαστικού και παρόμοιων υλικών.

Ηλεκτρική παροχή

Το εργαλείο πρέπει να συνδέεται μόνο με ηλεκτρική παροχή της ίδιας τάσης με αυτή που αναγράφεται στην πινακίδα ονομαστικών τιμών και μπορεί να λειτουργήσει μόνο με εναλλασσόμενο μονοφασικό ρεύμα. Υπάρχει διπλή μόνωση και κατά συνέπεια, μπορεί να γίνει σύνδεση σε ακροδέκτες χωρίς σύρμα γείωσης.

Θορύβος

Το τυπικό Α επίπεδο καταμετρημένου θορύβου καθορίζεται σύμφωνα με το EN62841-2-17:
 Στάθμη ηχητικής πίεσης (L_{PA}): 89 dB (A)
 Στάθμη ηχητικής ισχύος (L_{WA}): 100 dB (A)
 Αβεβαιότητα (K): 3 dB (A)

ΠΑΡΑΤΗΡΗΣΗ: Η δηλωμένη τιμή(ές) εκπομπής θορύβου έχει μετρηθεί σύμφωνα με την πρότυπη μέθοδο δοκιμής και μπορεί να χρησιμοποιηθεί για τη σύγκριση ενός εργαλείου με κάποιο άλλο.

ΠΑΡΑΤΗΡΗΣΗ: Η δηλωμένη τιμή(ές) εκπομπής θορύβου μπορεί να χρησιμοποιηθεί και στην προκαταρκτική αξιολόγηση της έκθεσης.

⚠️ ΠΡΟΕΙΔΟΠΟΙΗΣΗ: Να φοράτε ωτοασπίδες.

⚠️ ΠΡΟΕΙΔΟΠΟΙΗΣΗ: Η εκπομπή θορύβου κατά τη χρήση του ηλεκτρικού εργαλείου σε πραγματικές συνθήκες μπορεί να διαφέρει από τη δηλωμένη τιμή(ές) ανάλογα με τους τρόπους χρήσης του εργαλείου, ιδιαίτερα το είδος του τεμαχίου εργασίας που υπόκειται επεξεργασία.

⚠️ ΠΡΟΕΙΔΟΠΟΙΗΣΗ: Φροντίστε να λάβετε τα κατάλληλα μέτρα προστασίας του χειριστή βάσει ενός υπολογισμού της έκθεσης σε πραγματικές συνθήκες χρήσης (λαμβάνοντας υπόψη όλες τις συνιστώσες του κύκλου λειτουργίας όπως τους χρόνους που το εργαλείο είναι εκτός λειτουργίας και όταν βρίσκεται σε αδρανή λειτουργία πέραν του χρόνου ενεργοποίησης).

Κραδασμός

Η ολική τιμή δόνησης (άθροισμα τρι-αξονικού διανύσματος) καθορίζεται σύμφωνα με το EN62841-2-17:
 Είδος εργασίας: κοπή αυλακώσεων σε MDF
 Εκπομπή δόνησης (a_h): 7,9 m/s²
 Αβεβαιότητα (K): 1,6 m/s²

ΠΑΡΑΤΗΡΗΣΗ: Η δηλωμένη τιμή(ές) συνολικών κραδασμών έχει μετρηθεί σύμφωνα με την πρότυπη μέθοδο δοκιμής και μπορεί να χρησιμοποιηθεί για τη σύγκριση ενός εργαλείου με κάποιο άλλο.

ΠΑΡΑΤΗΡΗΣΗ: Η δηλωμένη τιμή(ές) συνολικών κραδασμών μπορεί να χρησιμοποιηθεί και στην προκαταρκτική αξιολόγηση της έκθεσης.

⚠️ ΠΡΟΕΙΔΟΠΟΙΗΣΗ: Η εκπομπή κραδασμών κατά τη χρήση του ηλεκτρικού εργαλείου σε πραγματικές συνθήκες μπορεί να διαφέρει από τη δηλωμένη τιμή(ές) εκπομπής ανάλογα με τους τρόπους χρήσης του εργαλείου, ιδιαίτερα το είδος του τεμαχίου εργασίας που υπόκειται επεξεργασία.

⚠️ ΠΡΟΕΙΔΟΠΟΙΗΣΗ: Φροντίστε να λάβετε τα κατάλληλα μέτρα προστασίας του χειριστή βάσει ενός υπολογισμού της έκθεσης σε πραγματικές συνθήκες χρήσης (λαμβάνοντας υπόψη όλες τις συνιστώσες του κύκλου λειτουργίας όπως τους χρόνους που το εργαλείο είναι εκτός λειτουργίας και όταν βρίσκεται σε αδρανή λειτουργία πέραν του χρόνου ενεργοποίησης).

Δήλωση συμμόρφωσης ΕΚ

Μόνο για χώρες της Ευρώπης

Η δήλωση συμμόρφωσης ΕΚ περιλαμβάνεται ως Παράρτημα Α στο παρόν εγχειρίδιο οδηγιών.

ΠΡΟΕΙΔΟΠΟΙΗΣΕΙΣ ΑΣΦΑΛΕΙΑΣ

Γενικές προειδοποιήσεις ασφαλείας για το ηλεκτρικό εργαλείο

⚠️ ΠΡΟΕΙΔΟΠΟΙΗΣΗ: Διαβάστε όλες τις προειδοποιήσεις ασφαλείας, οδηγίες, εικονογραφημένες και προδιαγραφές που παρέχονται με αυτό το ηλεκτρικό εργαλείο. Η μη τήρηση όλων των οδηγιών που αναγράφονται κατωτέρω μπορεί να καταλήξει σε ηλεκτροπληξία, πυρκαγιά ή/και σοβαρό τραυματισμό.

Φυλάξτε όλες τις προειδοποιήσεις και τις οδηγίες για μελλοντική παραπομπή.

Στις προειδοποιήσεις, ο όρος «ηλεκτρικό εργαλείο» αναφέρεται σε ηλεκτρικό εργαλείο που τροφοδοτείται από την κύρια παροχή ηλεκτρικού ρεύματος (με ηλεκτρικό καλώδιο) ή σε ηλεκτρικό εργαλείο που τροφοδοτείται από μπαταρία (χωρίς ηλεκτρικό καλώδιο).

Προειδοποιήσεις ασφαλείας του ρούτερ

1. Κρατάτε το ηλεκτρικό εργαλείο μόνο από τις μονωμένες επιφάνειες λαβής επειδή ο κόπτης μπορεί να έρθει σε επαφή με το δικό του καλώδιο. Σε περίπτωση που κοπεί ένα ηλεκτροφόρο καλώδιο, ενδέχεται τα εκτεθειμένα μεταλλικά εξαρτήματα του ηλεκτρικού εργαλείου να καταστούν τα ίδια ηλεκτροφόρα και να προκαλέσουν ηλεκτροπληξία στον χειριστή.
2. Να χρησιμοποιείτε σφιγκτήρες ή κάποιο άλλο πρακτικό μέσο για να ασφαλίσετε και να στηρίξετε το τεμάχιο εργασίας σε μια σταθερή πλατφόρμα. Αν κρατάτε το τεμάχιο εργασίας με το χέρι σας ή επάνω στο σώμα σας, αυτό θα είναι ασταθές και μπορεί να χάσετε τον έλεγχο.
3. Το στέλεχος μύτης του κόπτη πρέπει να ταιριάζει με το σχεδιασμένο μηχανισμό σύσφιξης.
4. Να χρησιμοποιείτε μια μύτη με ονομαστική τιμή τουλάχιστον ίση με τη μέγιστη ταχύτητα που αναγράφεται στο εργαλείο.
5. Να φοράτε ωτοασπίδες κατά τη λειτουργία για μεγάλο χρονικό διάστημα.
6. Να χειρίζεστε τις φρέζες ρούτερ πολύ προσεκτικά.
7. Πριν από τη λειτουργία, ελέγξτε προσεκτικά τις φρέζες ρούτερ για ραγίσματα ή ζημιά. Αντικαταστήστε αμέσως μια ραγισμένη ή κατεστραμμένη φρέζα.
8. Να αποφεύγετε την κοπή καρφιών. Πριν από τη λειτουργία, να ελέγχετε αν υπάρχουν καρφιά στο τεμάχιο εργασίας και να τα αφαιρείτε όλα αν υπάρχουν.
9. Κρατήστε το εργαλείο σταθερά με τα δύο χέρια.
10. Μην πλησιάζετε τα χέρια σας σε περιστρεφόμενα μέρη.

11. Να βεβαιώνετε ότι η φρέζα ρούτερ δεν ακουμπά το τεμάχιο εργασίας πριν ενεργοποιείτε το διακόπτη λειτουργίας.
12. Πριν από τη χρήση του εργαλείου πάνω σε πραγματικό τεμάχιο εργασίας, αφήστε το σε λειτουργία για λίγο. Προσέξτε για δονήσεις ή κινήσεις που θα μπορούσαν να υποδείξουν τη λανθασμένη τοποθέτηση της φρέζας.
13. Να προσέχετε την κατεύθυνση περιστροφής και τροφοδοσίας της φρέζας ρούτερ.
14. Μην αφήνετε το εργαλείο σε λειτουργία. Το εργαλείο πρέπει να βρίσκεται σε λειτουργία μόνο όταν το κρατάτε.
15. Όταν σβήνετε το εργαλείο, πάντοτε να περιμένετε να σταματήσει να κινείται εντελώς η φρέζα ρούτερ πριν βγάξετε το εργαλείο από το τεμάχιο εργασίας.
16. Μην αγγίζετε τη φρέζα ρούτερ αμέσως μετά τη λειτουργία του εργαλείου. Μπορεί να είναι εξαιρετικά θερμή και να προκληθεί έγκαυμα στο δέρμα σας.
17. Μην αλείφετε απρόσεχτα τη βάση του εργαλείου με νέφτι, βενζίνη, λάδι ή κάτι παρόμοιο. Μπορεί να ραγίσει η βάση του εργαλείου.
18. Μερικά υλικά περιέχουν χημικά που μπορεί να είναι τοξικά. Προσέχετε ώστε να αποφεύγετε την εισπνοή σκόνης και την επαφή με το δέρμα. Ακολουθείτε τα δεδομένα ασφαλείας υλικού που παρέχονται από τον προμηθευτή.
19. Να χρησιμοποιείτε πάντοτε προσωπίδα κατά της σκόνης ή αναπνευστήρα που είναι κατάλληλος για το υλικό και την εφαρμογή σας.

ΦΥΛΑΞΕΤΕ ΑΥΤΕΣ ΤΙΣ ΟΔΗΓΙΕΣ.

⚠️ ΠΡΟΕΙΔΟΠΟΙΗΣΗ: ΜΗΝ επιτρέψετε στην άνεση ή στην εξοικειώσή σας με το προϊόν (που αποκτήθηκε από επανειλημμένη χρήση) να αντικαταστήσει την αυστηρή τήρηση των κανόνων ασφαλείας του παρόντος εργαλείου. Η ΛΑΝΘΑΣΜΕΝΗ ΧΡΗΣΗ ή η αμέλεια να ακολουθήσετε τους κανόνες ασφαλείας που διατυπώνονται στο παρόν εγχειρίδιο οδηγιών μπορεί να προκαλέσει σοβαρό προσωπικό τραυματισμό.

ΠΕΡΙΓΡΑΦΗ ΛΕΙΤΟΥΡΓΙΑΣ

▲ΠΡΟΣΟΧΗ: Να βεβαιώνεστε πάντα ότι το εργαλείο είναι ασφαλισμένο και αποσυνδεδεμένο από την ηλεκτρική παροχή πριν ρυθμίσετε ή ελέγχετε κάποια λειτουργία του.

Ρύθμιση του βάθους κοπής

1. Τοποθετήστε το εργαλείο σε μια επίπεδη επιφάνεια. Χαλαρώστε τη βίδα που στερεώνει την ανασταλτική ράβδο.
► **Εικ.1:** 1. Ανασταλτική ράβδος 2. Βίδα
2. Χαλαρώστε το μοχλό κλειδώματος και χαμηλώστε το σώμα του εργαλείου μέχρι η φρέζα ρούτερ μόλις να αγγίζει την επίπεδη επιφάνεια. Σφίξτε το μοχλό κλειδώματος για να ασφαλίσετε το σώμα του εργαλείου.
► **Εικ.2:** 1. Μοχλός κλειδώματος 2. Βίδα
3. Χαμηλώστε την ανασταλτική ράβδο μέχρι να έρθει σε επαφή με το ρυθμιστικό εξαγωνικό μπουλόνι. Ευθυγραμμίστε το δείκτη βάθους με την ένδειξη «0» της διαβαθμισμένης κλίμακας.
► **Εικ.3:** 1. Δείκτης βάθους 2. Βίδα 3. Ανασταλτική ράβδος 4. Ρυθμιστικό εξαγωνικό μπουλόνι 5. Ανασταλτικός τάκος
4. Σηκώστε την ανασταλτική ράβδο μέχρι να πετύχετε το επιθυμητό βάθος κοπής. Το βάθος κοπής υποδεικνύεται στην κλίμακα (1 mm ανά διαβάθμιση) από το δείκτη βάθους. Μετά, σφίξτε τη βίδα που στερεώνει την ανασταλτική ράβδο.
5. Μπορείτε να πετύχετε το προκαθορισμένο βάθος κοπής αν χαλαρώσετε το μοχλό κλειδώματος και, στη συνέχεια, χαμηλώσετε το σώμα του εργαλείου μέχρι η ανασταλτική ράβδος να έρθει σε επαφή με το ρυθμιστικό εξαγωνικό μπουλόνι.

▲ΠΡΟΣΟΧΗ: Επειδή η υπερβολική κοπή μπορεί να προκαλέσει την υπερφόρτωση του μοτέρ ή τη δυσκολία στο χειρισμό του εργαλείου, το βάθος κοπής δεν θα πρέπει να είναι περισσότερο από 15 mm (9/16") ανά πέρασμα κατά την κοπή αυλακώσεων με φρέζα διαμέτρου 8 mm (5/16").

▲ΠΡΟΣΟΧΗ: Όταν κόβετε αυλακώσεις με φρέζα διαμέτρου 20 mm (13/16"), το βάθος κοπής δεν πρέπει να είναι μεγαλύτερο από 5 mm (3/16") ανά πέρασμα.

▲ΠΡΟΣΟΧΗ: Όταν επιθυμείτε την κοπή αυλακώσεων με βάθος μεγαλύτερο από 15 mm (9/16") με φρέζα διαμέτρου 8 mm (5/16") ή με βάθος μεγαλύτερο από 5 mm (3/16") με φρέζα διαμέτρου 20 mm (13/16"), πραγματοποιήστε αρκετά περάσματα με προοδευτικά βαθύτερες ρυθμίσεις φρέζας.

Ανασταλτικός τάκος

Ο ανασταλτικός τάκος διαθέτει τρία ρυθμιστικά εξαγωνικά μπουλόνια που ανυψώνονται ή χαμηλώνουν κατά 0,8 mm (περίπου 1/32") ανά στροφή. Μπορείτε εύκολα να επιτύχετε τρία διαφορετικά βάθη κοπής εάν χρησιμοποιήσετε αυτά τα ρυθμιστικά εξαγωνικά μπουλόνια χωρίς την επαναρύθμιση της ανασταλτικής ράβδου.

- **Εικ.4:** 1. Δείκτης βάθους 2. Βίδα 3. Ανασταλτική ράβδος 4. Ρυθμιστικό εξαγωνικό μπουλόνι 5. Ανασταλτικός τάκος
1. Ρυθμίστε το χαμηλότερο εξαγωνικό μπουλόνι για να αποκτήσετε το μεγαλύτερο βάθος κοπής, ακολουθώντας τη μέθοδο «Ρύθμιση του βάθους κοπής».
 2. Ρυθμίστε τα δύο υπόλοιπα εξαγωνικά μπουλόνια για να αποκτήσετε πιο μικρό βάθος κοπής. Οι διαφορές στο ύψος αυτών των εξαγωνικών μπουλονιών ισούνται με τις διαφορές στο βάθος κοπής.
 3. Γυρίστε τα εξαγωνικά μπουλόνια για να ρυθμίσετε το βάθος. Ο ανασταλτικός τάκος χρησιμεύει επίσης για την πραγματοποίηση τριών περασμάτων με προοδευτικά βαθύτερες ρυθμίσεις φρέζας κατά την κοπή βαθιών αυλακώσεων.

ΠΑΡΑΤΗΡΗΣΗ: Όταν χρησιμοποιείτε μια φρέζα με συνολικό μήκος 60 mm (2-3/8") ή μεγαλύτερο, ή μήκος άκρου 35 mm (1-3/8") ή μεγαλύτερο, το βάθος κοπής δεν μπορεί να ρυθμιστεί όπως περιγράφηκε προηγουμένως. Για ρύθμιση, συνεχίστε όπως περιγράφεται στη συνέχεια:

1. Χαλαρώστε το μοχλό κλειδώματος και ρυθμίστε προσεκτικά την προεξοχή φρέζας κάτω από τη βάση του εργαλείου, μέχρι το επιθυμητό βάθος κοπής, μετακινώντας το σώμα του εργαλείου προς τα πάνω ή προς τα κάτω.
2. Σφίξτε ξανά το μοχλό κλειδώματος για να ασφαλίσετε το σώμα του εργαλείου στο συγκεκριμένο βάθος κοπής. Κατά τη διάρκεια της χρήσης, διατηρείτε το σώμα του εργαλείου κλειδωμένο στη συγκεκριμένη θέση.

Επειδή η φρέζα προεξέχει πάντα από τη βάση του εργαλείου, προσέχετε κατά το χειρισμό του εργαλείου.

Ρύθμιση του μοχλού κλειδώματος

Η κλειδωμένη θέση του μοχλού κλειδώματος είναι ρυθμιζόμενη. Για να τη ρυθμίσετε, αφαιρέστε τη βίδα που ασφαλίζει το μοχλό κλειδώματος. Ο μοχλός κλειδώματος θα βγει. Ρυθμίστε το μοχλό κλειδώματος στην επιθυμητή γωνία. Μετά τη ρύθμιση, σφίξτε το μοχλό κλειδώματος δεξιόστροφα.

► **Εικ.5:** 1. Μοχλός κλειδώματος 2. Βίδα

Δράση διακόπτη

▲ΠΡΟΣΟΧΗ: Πριν από τη σύνδεση του εργαλείου στην ηλεκτρική παροχή, να ελέγχετε πάντα ότι η σκανδάλη διακόπτης ενεργοποιείται σωστά και επιστρέφει στη θέση «ανενεργό» όταν την αφήνετε.

Για να ξεκινήσετε το εργαλείο, απλώς τραβήξτε τη σκανδάλη διακόπτη. Για διακοπή της λειτουργίας, ελευθερώστε τη σκανδάλη διακόπτη.

► **Εικ.6:** 1. Σκανδάλη διακόπτης

ΣΥΝΑΡΜΟΛΟΓΗΣΗ

▲ ΠΡΟΣΟΧΗ: Να βεβαιώνεστε πάντα ότι το εργαλείο είναι σβηστό και αποσυνδεδεμένο από την ηλεκτρική παροχή πριν εκτελέσετε οποιαδήποτε εργασία σε αυτό.

Τοποθέτηση ή αφαίρεση της φρέζας ρούτερ

Τοποθετήστε τη φρέζα μέχρι το τέρμα του κώνου σύσφιξης και σφίξτε το παξιμάδι σύσφιξης με ασφάλεια με τη βοήθεια των δύο κλειδίων. Χρησιμοποιήστε το σωστό μέγεθος του κώνου σύσφιξης για τη φρέζα που σκοπεύετε να χρησιμοποιήσετε.

► **Εικ.7**

Για να αφαιρέσετε τη φρέζα, ακολουθήστε τη διαδικασία τοποθέτησης με αντίστροφη σειρά.

▲ ΠΡΟΣΟΧΗ: Τοποθετήστε τη φρέζα ρούτερ με ασφάλεια. Να χρησιμοποιείτε πάντα μόνο το κλειδί που παρέχεται με το εργαλείο. Μια χαλαρή ή υπερβολικά σφιγμένη φρέζα ρούτερ μπορεί να είναι επικίνδυνη.

▲ ΠΡΟΣΟΧΗ: Μη σφίγγετε το παξιμάδι σύσφιξης χωρίς να έχετε τοποθετήσει φρέζα. Μπορεί να οδηγήσει στο σπάσιμο του κώνου σύσφιξης.

Αλλαγή του κώνου κολάρου

Ειδικό της χώρας

ΕΙΔΟΠΟΙΗΣΗ: Χρησιμοποιήστε το σωστό μέγεθος του κώνου κολάρου για τη μύτη που σκοπεύετε να χρησιμοποιήσετε.

ΕΙΔΟΠΟΙΗΣΗ: Μην σφίγγετε το παξιμάδι κολάρου χωρίς να έχετε τοποθετήσει μια μύτη, διαφορετικά ο κώνος κολάρου μπορεί να σπάσει.

► **Εικ.8:** 1. Κώνος κολάρου 2. Παξιμάδι κολάρου 3. Μύτη

Για να αλλάξετε τον κώνο κολάρου, χαλαρώστε το παξιμάδι κολάρου και αφαιρέστε το. Αντικαταστήστε τον τοποθετημένο κώνο κολάρου με τον επιθυμητό κώνο κολάρου. Τοποθετήστε ξανά το παξιμάδι κολάρου.

ΛΕΙΤΟΥΡΓΙΑ

Τοποθετήστε τη βάση του εργαλείου πάνω στο τεμάχιο εργασίας που πρόκειται να κοπεί χωρίς να έρχεται σε επαφή η φρέζα ρούτερ. Κατόπιν, περιστρέψτε το εργαλείο και περιμένετε έως ότου η φρέζα ρούτερ αποκτήσει την πλήρη ταχύτητά της. Χαμηλώστε το σώμα του εργαλείου και μετακινήστε το εργαλείο προς τα εμπρός επάνω από την επιφάνεια του εργαλείου εργασίας, διατηρώντας τη βάση του εργαλείου ευθυγραμμισμένη και προχωρώντας ομαλά μέχρι την ολοκλήρωση της κοπής. Όταν πραγματοποιείτε κοπές άκρων, η επιφάνεια του τεμαχίου εργασίας πρέπει να βρίσκεται στην αριστερή πλευρά της φρέζας ρούτερ προς την κατεύθυνση τροφοδοσίας.

► **Εικ.9:** 1. Τεμάχιο εργασίας 2. Κατεύθυνση περιστροφής μύτης 3. Όψη από το επάνω μέρος του εργαλείου 4. Κατεύθυνση τροφοδοσίας

ΠΑΡΑΤΗΡΗΣΗ: Εάν μετακινείτε το εργαλείο προς τα εμπρός με πολύ μεγάλη ταχύτητα μπορεί να προκύψει κακή ποιότητα κοπής ή βλάβη στη φρέζα ρούτερ ή στο μοτέρ. Εάν μετακινείτε το εργαλείο προς τα εμπρός με πολύ μικρή ταχύτητα μπορεί να καεί ή να καταστραφεί η κοπή. Ο σωστός ρυθμός τροφοδοσίας εξαρτάται από το μέγεθος της φρέζας ρούτερ, το είδος του τεμαχίου εργασίας και το βάθος κοπής.

Πριν ξεκινήσετε την κοπή στο πραγματικό τεμάχιο εργασίας, συνηθίστε να πραγματοποιήσετε μια δοκιμαστική κοπή σε ένα παλιό κομμάτι ξύλου. Έτσι θα δείτε πώς ακριβώς θα μοιάζει η κοπή και θα μπορείτε να ελέγξετε και τις διαστάσεις.

ΠΑΡΑΤΗΡΗΣΗ: Όταν χρησιμοποιείτε τον ίδιο οδηγό ή τον οδηγό κουρευτικού περιθωρίων, βεβαιωθείτε να τον τοποθετήσετε στη δεξιά πλευρά προς την κατεύθυνση τροφοδοσίας. Αυτό θα βοηθήσει ώστε να μείνει ευθυγραμμισμένος με την πλευρά του τεμαχίου εργασίας.

► **Εικ.10:** 1. Κατεύθυνση τροφοδοσίας 2. Κατεύθυνση περιστροφής φρέζας 3. Τεμάχιο εργασίας 4. Ίσιος οδηγός

Ίσιος οδηγός

Ο ίσιος οδηγός χρησιμοποιείται αποτελεσματικά για ίσιες κοπές στις λειτουργίες στρογγυλέματος ή κατασκευής αυλακιών.

► **Εικ.11**

Για να τοποθετήσετε τον ίσιο οδηγό, εισαγάγετε τις κατευθυντήριες λάμα μέσα στις οπές στη βάση του εργαλείου. Ρυθμίστε την απόσταση μεταξύ της φρέζας και του ίσιου οδηγού. Στην επιθυμητή απόσταση, σφίξτε τα παξιμάδια με πτερύγια για να ασφαλίσετε τον ίσιο οδηγό στη θέση του. Κατά την κοπή, να μετακινείτε το εργαλείο με τον ίσιο οδηγό ευθυγραμμισμένο με την πλευρά του τεμαχίου εργασίας.

► **Εικ.12:** 1. Κατευθυντήρια λάμα 2. Βίδα σύσφιξης 3. Ίσιος οδηγός

Αν η απόσταση (Α) μεταξύ της πλευράς του τεμαχίου εργασίας και της θέσης κοπής είναι πολύ πλατιά για τον ίσιο οδηγό ή αν η πλευρά του τεμαχίου εργασίας δεν είναι ευθεία, δεν μπορεί να χρησιμοποιηθεί ο ίσιος οδηγός. Σε αυτή την περίπτωση, στερεώστε καλά μια ίσια σανίδα στο τεμάχιο εργασίας και χρησιμοποιήστε την ως οδηγό δίπλα στη βάση του εργαλείου περικοπής. Τροφοδοτήστε το εργαλείο προς την κατεύθυνση του βέλους.

► **Εικ.13**

Σετ ακροφυσίου σκόνης (ειδικό της χώρας)

Χρησιμοποιήστε το ακροφύσιο σκόνης για την εξαγωγή σκόνης. Τοποθετήστε το ακροφύσιο σκόνης στη βάση του εργαλείου χρησιμοποιώντας τη βίδα χειρός έτσι ώστε η προεξοχή στο ακροφύσιο σκόνης να ταιριάζει με την εγκοπή της βάσης του εργαλείου. Στη συνέχεια, συνδέστε την ηλεκτρική σκούπα με το ακροφύσιο σκόνης.

► **Εικ.14:** 1. Ακροφύσιο σκόνης 2. Βίδα χειρός

► **Εικ.15**

ΣΥΝΤΗΡΗΣΗ

▲ ΠΡΟΣΟΧΗ: Να βεβαιώνετε πάντα ότι το εργαλείο είναι σβηστό και αποσυνδεδεμένο από την ηλεκτρική παροχή πριν εκτελέσετε οποιαδήποτε εργασία επιθεώρησης ή συντήρησης σε αυτό.

ΕΙΔΟΠΟΙΗΣΗ: Μην χρησιμοποιείτε ποτέ βενζίνη, πετρελαϊκό αιθέρα, διαλυτικό, αλκοόλη ή παρόμοιες ουσίες. Μπορεί να προκληθεί αποχρωματισμός, παραμόρφωση ή ρωγμές.

Για τη διατήρηση της ΑΣΦΑΛΕΙΑΣ και ΑΞΙΟΠΙΣΤΙΑΣ του προϊόντος, οι επισκευές και οποιαδήποτε άλλη εργασία συντήρησης ή ρύθμισης πρέπει να εκτελούνται από εξουσιοδοτημένα ή εργοστασιακά κέντρα εξυπηρέτησης της Makita, χρησιμοποιώντας πάντοτε ανταλλακτικά της Makita.

ΠΡΟΑΙΡΕΤΙΚΑ ΕΞΑΡΤΗΜΑΤΑ

▲ ΠΡΟΣΟΧΗ: Αυτά τα εξαρτήματα ή προσαρτήματα συνιστώνται για χρήση με το εργαλείο Makita που περιγράφτηκε στις οδηγίες αυτές. Η χρήση οποιωνδήποτε άλλων εξαρτημάτων ή προσαρτημάτων μπορεί να προκαλέσει κίνδυνο τραυματισμού σε άτομα. Να χρησιμοποιείτε τα εξαρτήματα ή προσαρτήματα μόνο για την χρήση που προορίζονται.

Εάν χρειάζεστε οποιαδήποτε βοήθεια για περισσότερες πληροφορίες σε σχέση με αυτά τα εξαρτήματα, απαντήστε στο τοπικό σας κέντρο εξυπηρέτησης Makita.

- Φρέζες σχηματισμού ίσιων γραμμών και αυλακίων
- Φρέζες σχηματισμού άκρων
- Φρέζες περικοπής φύλλων

ΠΑΡΑΤΗΡΗΣΗ: Μερικά στοιχεία στη λίστα μπορεί να συμπεριλαμβάνονται στη συσκευασία εργαλείου ως στάνταρ εξαρτήματα. Μπορεί να διαφέρουν ανάλογα με τη χώρα.

Φρέζες ρούτερ

Ευθεία φρέζα

► **Εικ.16**

Μονάδα:mm

D	A	L1	L2
6	20	50	15
1/4"			
8	8	60	25
6			
1/4"	6	50	18
6			
1/4"			

Φρέζα αυλάκωσης σε σχήμα «U»

► **Εικ.17**

Μονάδα:mm

D	A	L1	L2	R
6	6	50	18	3

Φρέζα αυλάκωσης σε σχήμα «V»

► **Εικ.18**

Μονάδα:mm

D	A	L1	L2	θ
1/4"	20	50	15	90°

Φρέζα επίπεδης κοπής στο σημείο διάνοιξης

► **Εικ.19**

Μονάδα:mm

D	A	L1	L2	L3
8	8	60	20	35
6				
6	6	60	18	28
6				

Φρέζα διπλής επίπεδης κοπής στο σημείο διάνοιξης

► **Εικ.20**

Μονάδα:mm

D	A	L1	L2	L3	L4
8	8	80	55	20	25
6					
6	6	70	40	12	14
6					

Φρέζα στρογγύλευσης γωνιών

► Εικ.21

Μονάδα:mm

D	A1	A2	L1	L2	L3	R
6	25	9	48	13	5	8
6	20	8	45	10	4	4

Φρέζα λοξότμησης

► Εικ.22

Μονάδα:mm

D	A	L1	L2	L3	θ
6	23	46	11	6	30°
6	20	50	13	5	45°
6	20	49	14	2	60°

Φρέζα για κοιλώματα

► Εικ.23

Μονάδα:mm

D	A	L1	L2	R
6	20	43	8	4
6	25	48	13	8

Φρέζα επίπεδης κοπής με σφαιρικό έδρανο

► Εικ.24

Μονάδα:mm

D	A	L1	L2
6	10	50	20
1/4"			

Φρέζα στρογγύλευσης γωνιών με σφαιρικό έδρανο

► Εικ.25

Μονάδα:mm

D	A1	A2	L1	L2	L3	R
6	15	8	37	7	3,5	3
6	21	8	40	10	3,5	6
1/4"	21	8	40	10	3,5	6

Φρέζα λοξότμησης με σφαιρικό έδρανο

► Εικ.26

Μονάδα:mm

D	A1	A2	L1	L2	θ
6	26	8	42	12	45°
1/4"					
6	20	8	41	11	60°

Φρέζα για αυλάκωμα με σφαιρικό έδρανο

► Εικ.27

Μονάδα:mm

D	A1	A2	A3	L1	L2	L3	R
6	20	12	8	40	10	5,5	4
6	26	12	8	42	12	4,5	7

Φρέζα για κοιλώματα με σφαιρικό έδρανο

► Εικ.28

Μονάδα:mm

D	A1	A2	A3	A4	L1	L2	L3	R
6	20	18	12	8	40	10	5,5	3
6	26	22	12	8	42	12	5	5

Φρέζα για ρωμαϊκό οξυκόρυφο τόξο με σφαιρικό έδρανο

► Εικ.29

Μονάδα:mm

D	A1	A2	L1	L2	L3	R1	R2
6	20	8	40	10	4,5	2,5	4,5
6	26	8	42	12	4,5	3	6

TEKNİK ÖZELLİKLER

Model:	M3601
Halka mandren kapasitesi	6 mm, 1/4" ve/veya 8 mm
Dalma kapasitesi	0 - 35 mm
Yüksüz hız	27.000 min ⁻¹
Toplam yükseklik	218 mm
Net ağırlık	2,7 kg
Emniyet sınıfı	II/III

- Sürekli yapılan araştırma ve geliştirmelerden dolayı, burada belirtilen özellikler önceden bildirilmeksizin değiştirilebilir.
- Özellikler ülkeden ülkeye değişebilir.
- EPTA-Prosedürü 01/2014 uyarınca ağırlık

Kullanım amacı

Bu alet tahta, plastik ve benzeri malzemelerde havşa ve profil açmak amacıyla tasarlanmıştır.

Güç kaynağı

Aletin, yalnızca isim levhasında belirtilenle aynı voltajlı güç kaynağına bağlanması gerekir ve yalnızca tek fazlı AC güç kaynağıyla çalıştırılabilir. Çifte yalıtımlıdır ve topraklamasız prizlerle de kullanılabilir.

Gürültü

Tipik A-ağırlıklı gürültü düzeyi (EN62841-2-17 standardına göre belirlenen):

Ses basınç seviyesi (L_{pA}): 89 dB (A)

Ses gücü düzeyi (L_{WA}): 100 dB (A)

Belirsizlik (K): 3 dB (A)

NOT: Beyan edilen gürültü emisyonu değer(ler)i bir standart test yöntemine uygun şekilde ölçülmüştür ve bir aleti bir başkasıyla karşılaştırmak için kullanılabilir.

NOT: Beyan edilen gürültü emisyonu değer(ler)i bir ön maruz kalma değerlendirmesi olarak da kullanılabilir.

UYARI: Kulak koruyucuları takın.

UYARI: Elektrikli aletin gerçek kullanımı sırasındaki gürültü emisyonu, aletin kullanım biçimlerine, özellikle işlenen iş parçasının türüne bağlı olarak beyan edilen değer(ler)den farklı olabilir.

UYARI: Gerçek kullanım koşullarındaki tahmini maruziyeti baz alan, operatörü koruyacak güvenlik önlemlerini mutlaka belirleyin (çalışma döngüsü içerisinde aletin kapalı olduğu ve aktif durumda olmasının yanı sıra boşta çalıştığı zamanlar gibi, bütün zaman dilimleri göz önünde bulundurarak).

Titreşim

Titreşim toplam değeri (üç eksenli vektör toplamı)

(EN62841-2-17 standardına göre hesaplanan):

Çalışma modu: MDF'de oluk kesme

Titreşim emisyonu (a_h): 7,9 m/s²

Belirsizlik (K) : 1,6 m/s²

NOT: Beyan edilen titreşim toplam değer(ler)i bir standart test yöntemine uygun şekilde ölçülmüştür ve bir aleti bir başkasıyla karşılaştırmak için kullanılabilir.

NOT: Beyan edilen titreşim toplam değer(ler)i bir ön maruz kalma değerlendirmesi olarak da kullanılabilir.

UYARI: Elektrikli aletin gerçek kullanımı sırasındaki titreşim emisyonu, aletin kullanım biçimlerine, özellikle işlenen iş parçasının türüne bağlı olarak beyan edilen değer(ler)den farklı olabilir.

UYARI: Gerçek kullanım koşullarındaki tahmini maruziyeti baz alan, operatörü koruyacak güvenlik önlemlerini mutlaka belirleyin (çalışma döngüsü içerisinde aletin kapalı olduğu ve aktif durumda olmasının yanı sıra boşta çalıştığı zamanlar gibi, bütün zaman dilimleri göz önünde bulundurarak).

EC Uygunluk Beyanı

Sadece Avrupa ülkeleri için

EC uygunluk beyanı bu kullanım kılavuzuna Ek A olarak eklenmiştir.

GÜVENLİK UYARILARI

Genel elektrikli alet güvenliği uyarıları

⚠UYARI: Bu elektrikli aletle birlikte sunulan tüm güvenlik uyarılarını, talimatları, çizimleri ve teknik özellikleri okuyun. Aşağıda verilen talimatlara uyulmaması elektrik şoku, yangın ve/veya ciddi yaralanmalar ile sonuçlanabilir.

Tüm uyarıları ve talimatları ile-ride başvurmak için saklayın.

Uyarılardaki "elektrikli alet" terimi ile ya prizden çalışan (kordonlu) elektrikli aletiniz ya da kendi aküsü ile çalışan (kordsuz) elektrikli aletiniz kastedilmektedir.

Freze güvenlik uyarıları

1. Kesici, kendi kablosuna temas edebileceğinden elektrikli aleti yalnızca yalıtımlı saplarından tutun. "Akımlı" bir telin kesilmesi elektrikli aletin yalıtımsız metal kısımlarını "akımlı" hale getirebilir ve kullanıcıyı elektrik şokuna maruz bırakabilir.
2. İş parçasını sabit bir platforma bağlamak ve desteklemek için mengene veya başka bir pratik yol kullanın. İş parçasını elle tutmak ya da vücudunuzla desteklemek sabit durmamasına ve kontrolü kaybetmenize neden olabilir.
3. Kesici uç sapı tasarlanmış halka mandrene uymalıdır.
4. Uçun nominal hızı en azından, aletin üstünde belirtilen maksimum hıza eşit olmalıdır.
5. Uzun süreli kullanımlarda kulak koruyucu kullanın.
6. Freze uçlarını dikkatle tutun.
7. İşleme başlamadan önce, çatlak veya hasara karşı freze ucunu dikkatlice kontrol edin. Çatlamış veya hasar görmüş ucu derhal değiştirin.
8. Çivileri kesmekten kaçının. İşlemden önce iş parçasının üzerinde çivi olup olmadığını kontrol edin ve varsa hepsini çıkarın.
9. Aleti iki elle sıkıca tutun.
10. Ellerinizi dönen parçalardan uzak tutun.
11. Anahtar açılmadan önce freze ucunun iş parçasına temas etmediğinden emin olun.
12. Aleti gerçek bir iş parçası üzerinde kullanmadan önce bir süre boşa çalıştırın. Uçun yanlış takıldığını gösterebilecek titreşim ve sallantılar olup olmadığına dikkat edin.
13. Freze ucunun dönüş yönüne ve besleme yönüne dikkat edin.
14. Aleti çalışır durumda bırakmayın. Aleti sadece elinizde tutarken çalıştırın.
15. Aleti iş parçasından çekmeden önce daima anahtarı kapatın ve freze ucunun tamamen durmasını bekleyin.
16. Freze ucuna işlemden hemen sonra ellemeyin; çok sıcak olup derinizi yakabilir.

17. Dikkatsizlik sonucu alet kaidesine tiner, benzin, yağ ve benzeri maddelerin bulaşmasını önleyin. Bunlar alet kaidesinde çatlaklar oluşmasına neden olabilir.
18. Bazı malzemeler zehirli olabilen kimyasallar içerir. Toz tutmayı ve cilt temasını önlemek için tedbir alın. Malzeme sağlayıcısının güvenlik bilgilerine uyun.
19. Daima çalıştığınız malzeme ve yaptığınız işe uygun maske/respiratör kullanın.

BU TALİMATLARI MUHAFAZA EDİNİZ.

⚠UYARI: Ürünü kullanırken (defalarca kullanınca kazanılan) rahatlık ve tanıdıklık duygusunun ilgili ürünün güvenlik kurallarına sıkı sıkıya bağlı kalmanızı yerine getirmesine İZİN VERMEYİN. YANLIŞ KULLANIM veya bu kullanma kılavuzunda belirtilen emniyet kurallarına uymama ciddi yaralanmaya neden olabilir.

İŞLEVSEL NİTELİKLER

⚠DİKKAT: Alet üzerinde ayarlama ya da işleyiş kontrolü yapmadan önce aletin kapalı ve fişinin çekili olduğundan daima emin olun.

Kesim derinliğinin ayarlanması

1. Aleti düz bir yüzeye yerleştirin. Derinlik dayanağını sabitleyerek vidayı gevşetin.
► **Şek.1:** 1. Derinlik dayanağı 2. Vida
2. Kilitleme kolunu gevşetin ve freze ucu düz yüzeye temas edene kadar alet gövdesini alçaltın. Alet gövdesini kilitlemek için, kilitleme kolunu sıkılayın.
► **Şek.2:** 1. Kilitleme kolu 2. Vida
3. Derinlik dayanağı altıgen ayar civatası ile temas edene kadar derinlik dayanağını alçaltın. Derinlik imlecini "0" derecesi ile hizalayın.
► **Şek.3:** 1. Derinlik imleci 2. Vida 3. Derinlik dayanağı 4. Altıgen ayar civatası 5. Durdurucu blok
4. Derinlik dayanağını istenen kesim derinliği elde edilene kadar kaldırın. Kesim derinliği derinlik imleci ile ölçek üzerinde (1 mm'lik derecelendirmelerle) belirtilir. Ardından derinlik dayanağını sabitlemek için vidayı sıkılayın.
5. Kilitleme kolu gevşetilerek ve ardından derinlik dayanağı altıgen ayar civatası ile temas edene kadar alet gövdesi alçaltılarak, önceden belirlenen kesim derinliğini elde edebilirsiniz.

⚠DİKKAT: Aşırı kesme motorun fazla yüklenmesine veya aletin kontrolünde güçlüğü neden olacağı için, 8 mm (5/16") çaplı bir uçla oluk açarken kesim derinliği bir geçişte 15 mm'den (9/16") fazla olmamalıdır.

⚠DİKKAT: 20 mm (13/16") çaplı bir uçla oluk açarken kesim derinliği bir geçişte 5 mm'den (3/16") fazla olmamalıdır.

⚠DİKKAT: 8 mm (5/16") çaplı bir uçla 15 mm'den (9/16") daha derin ya da 20 mm (13/16") çaplı bir uçla 5 mm'den (3/16") daha derin oluklar açmak istediğinizde, gittikçe artan derinlikteki ucu ayarlarıyla birkaç geçiş yapın.

Durdurucu blok

Durdurucu bloğun her dönüşte 0,8 mm (yakl. 1/32") yükselten ya da alçaltan üç adet altıgen ayar civatası bulunur. Bu altıgen ayar civatasını kullanarak derinlik dayanağını yeniden ayarlamaksızın üç farklı kesme derinliği elde edebilirsiniz.

► **Şek.4:** 1. Derinlik imleci 2. Vida 3. Derinlik dayanağı 4. Altıgen ayar civatası 5. Durdurucu blok

1. "Kesim derinliğinin ayarlanması" yöntemini izleyerek, en derin kesim derinliğini elde etmek için en alçak altıgen civatayı ayarlayın.
2. Daha sıkı kesim derinlikleri elde etmek için diğer iki altıgen civatayı ayarlayın. Bu altıgen civataların yükseklik farkı kesim derinliklerinin farkına eşittir.
3. Derinliği ayarlamak için altıgen civataları döndürün. Durdurucu blok, derin oluk açma sırasında gittikçe derinleşen uç ayarlarıyla üç geçiş yapmak için de uygundur.

NOT: Toplam uzunluğu 60 mm (2-3/8") veya daha fazla olan ya da kenar uzunluğu 35 mm (1-3/8") veya daha fazla olan bir uç kullanılırken, kesim derinliği daha önce belirtildiği gibi ayarlanamaz. Ayarlamak için aşağıda belirtilen şekilde işleme devam edin:

1. Kilitleme kolunu gevşetin ve alet gövdesini yukarı ya da aşağı hareket ettirerek alet kaidesinin altındaki uç çıkıntısını istenen kesim derinliğine ayarlayın.
2. Alet gövdesini istenen kesim derinliğinde kilitlemek için kilitleme kolunu yeniden sıkılayın. Kullanım sırasında alet gövdesini bu konumda kilitli tutun.

Uç daima alet kaidesinden dışarı doğru çıkıntı yaptığı için aleti tutarken dikkatli olun.

Kilitleme kolunun ayarlanması

Kilitleme kolunun kilitli konumu ayarlanabilir. Ayarlamak için, kilitleme kolunu sabitleyen vidayı sökün. Kilitleme kolu çıkar. Kilitleme kolunu istenen açığa ayarlayın. Ayarladıktan sonra kilitleme kolunu saat yönünde sıkılayın.

► **Şek.5:** 1. Kilitleme kolu 2. Vida

Anahtarın işleyişi

⚠DİKKAT: Aleti fişe takmadan önce, anahtar tetiğinin düzgün çalıştığından ve bırakıldığında "KAPALI" pozisyona döndüğünden emin olun.

Aleti çalıştırmak için anahtar tetiği çekmeniz yeterlidir. Durdurmak için anahtar tetiği serbest bırakın.

► **Şek.6:** 1. Anahtar tetik

MONTAJ

⚠DİKKAT: Alet üzerinde herhangi bir iş yapmadan önce aletin kapalı ve fişinin çekili olduğundan daima emin olun.

Freze ucunun takılması veya çıkarılması

Ucu, tutucu pens kovani boyunca sokun ve tutucu pens somununu iki anahtarla iyice sıkılayın. Kullanmayı düşündüğünüz uca uygun büyüklükteki tutucu pens kovani kullanın.

► **Şek.7**

Ucu çıkarmak için, takma işleminin tersini uygulayın.

⚠DİKKAT: Freze ucunu sağlam bir şekilde takın. Her zaman sadece aletle birlikte verilen anahtarları kullanın. Gevşek veya fazla sıkı bir freze ucu tehlikeli olabilir.

⚠DİKKAT: Ucu takmadan tutucu pens somununu sıkılamayın. Bu, tutucu pens kovani kırılmasına yol açabilir.

Tutucu pens kovani değiştirilmesi

Ülkeye özgü

ÖNEMLİ NOT: Kullanacağınız uca uygun büyüklükteki tutucu pens kovani kullanın.

ÖNEMLİ NOT: Bir uç takmadan tutucu pens somununu sıkılamayın, aksi takdirde tutucu pens kovani kırılabilir.

► **Şek.8:** 1. Tutucu pens kovani 2. Tutucu pens somunu 3. Uç

Tutucu pens kovaniyi değiştirmek için tutucu pens somununu gevşetin ve çıkarın. Takılı tutucu pens kovaniyi istediğiniz tutucu pens kovani ile değiştirin. Tutucu pens somununu yeniden takın.

KULLANIM

Alet kaidesini kesilecek iş parçasının üzerine yerleştirirken freze ucunun temas etmediğinden emin olun. Ardından aleti çalıştırın ve freze ucu tam hıza ulaşana kadar bekleyin. Alet gövdesini aşağı doğru indirin ve aleti iş parçasının yüzeyi üzerinde ileri doğru hareket ettirin, kesim tamamlanana kadar alet kaidesini aynı hizada tutun ve yavaşça ilerletin.

Kenar kesme sırasında, iş parçasının yüzeyi besleme yönünde freze ucunun sol tarafında kalmalıdır.

► **Şek.9:** 1. İş parçası 2. Uç dönme yönü 3. Aletin kuşbakışı görünüşü 4. Besleme yönü

NOT: Aleti ileriye doğru çok hızlı hareket ettirmek kötü bir kesim kalitesine neden olabilir, freze ucuna ya da motora zarar verebilir. Aleti çok yavaş ilerletmek ise yanma ya da şekil bozukluğuna neden olabilir. Uygun besleme hızı; freze ucunun boyutuna, iş parçasının türüne ve kesim derinliğine bağlı olarak değişir.

İş parçası üzerinde kesme işlemine başlamadan önce bir parça hurda kereste üzerinde bir deneme kesimi yapılması tavsiye edilir. Böylece kesimin tam olarak nasıl görüneceğini görebilir ve boyutları kontrol edebilirsiniz.

NOT: Düz kılavuz veya şekil verme kılavuzu kullanırken, bunları besleme yönünün sağ tarafına taktığınızdan emin olun. Bu, iş parçasının yan kısmı ile aynı hizada çalışmayı sağlar.

► **Şek.10:** 1. Besleme yönü 2. Uç dönme yönü 3. İş parçası 4. Düz kılavuz

Düz kılavuz

Düz kılavuz, yiv açma veya oluk açma sırasında düz kesim için etkin bir şekilde kullanılır.

► **Şek.11**

Düz kılavuzu takmak için, kılavuz çubuklarını alet kaidesindeki deliklere yerleştirin. Uç ve düz kılavuz arasındaki mesafeyi ayarlayın. İstenilen mesafede kelebek civataları sıkarak düz kılavuzu yerine sabitleyin. Kesim sırasında, aleti düz kılavuzla birlikte iş parçasının kenarı ile aynı hizada olacak şekilde hareket ettirin.

► **Şek.12:** 1. Kılavuz çubuğu 2. Sıkıştırma vidası 3. Düz kılavuz

Eğer iş parçasının kenarı ile kesme pozisyonunun arasındaki uzaklık (A), düz kılavuz için çok genişse veya iş parçasının kenarı düz değilse, düz kılavuz kullanılamaz. Bu durumda, iş parçasına düz bir tahta parçasını sağlamca kelepçeleysin ve bunu şekil verme kaidesine karşı kılavuz olarak kullanın. Aleti ok yönünde besleyin.

► **Şek.13**

Toz toplama başlığı seti (ülkeye özgü)

Toz çekme için toz toplama başlığını kullanın. Toz toplama başlığını, kelebek somunu kullanarak toz toplama başlığı üzerindeki çıkıntı alet kaidesindeki çentiğe oturacak şekilde alet kaidesi üzerine yerleştirin. Ardından toz toplama başlığına bir elektrikli süpürge bağlayın.

► **Şek.14:** 1. Toz toplama başlığı 2. Kelebek somun

► **Şek.15**

BAKIM

⚠DİKKAT: Muayene ya da bakım yapmadan önce aletin kapalı ve fişinin çekili olduğundan daima emin olun.

ÖNEMLİ NOT: Benzin, tiner, alkol ve benzeri maddeleri kesinlikle kullanmayın. Renk değişimi, deformasyonu veya çatlaklar oluşabilir.

Aleti EMNİYETLİ ve ÇALIŞMAYA HAZIR durumda tutmak için onarımlar, başka her türlü bakım ve ayarlamalar daima Makita yedek parçaları kullanılarak Makita yetkili servis merkezleri veya Fabrikanın Servis Merkezleri tarafından yapılmalıdır.

İSTEĞE BAĞLI AKSESUARLAR

⚠DİKKAT: Bu aksesuarlar ve ek parçalar bu el kitabında belirtilen Makita aletinin ile kullanılmak için tavsiye edilmektedir. Herhangi başka bir aksesuar ya da ek parça kullanılması insanlar için bir yaralanma riski getirebilir. Aksesuarları ya da ek parçaları yalnızca belirtilmiş olan kullanım amaçlarına uygun olarak kullanın.

Bu aksesuarlarla ilgili daha fazla bilgiye ihtiyaç duyar-sanız bulunduğunuz yerdeki yetkili Makita servisine başvurun.

- Düz uçlar ve oluk açma uçları
- Kenar şekillendirme uçları
- Laminat budama uçları

NOT: Listedeki parçaların bazıları alet paketi içerisinde standart aksesuar olarak dahil edilmiş olabilir. Bunlar ülkeden ülkeye farklılık gösterebilir.

Freze uçları

Düz uç

► **Şek.16**

Birim:mm

D	A	L1	L2
6	20	50	15
1/4"			
8	8	60	25
6			
1/4"	6	50	18
6			
1/4"			

“U” Oyma ucu

► Şek.17

Birim:mm

D	A	L1	L2	R
6	6	50	18	3

“V” Oyma ucu

► Şek.18

Birim:mm

D	A	L1	L2	θ
1/4"	20	50	15	90°

Matkap başlı havşa ucu

► Şek.19

Birim:mm

D	A	L1	L2	L3
8	8	60	20	35
6	6	60	18	28

Matkap başlı çifte havşa ucu

► Şek.20

Birim:mm

D	A	L1	L2	L3	L4
8	8	80	55	20	25
6	6	70	40	12	14

Köşe yuvarlama ucu

► Şek.21

Birim:mm

D	A1	A2	L1	L2	L3	R
6	25	9	48	13	5	8
6	20	8	45	10	4	4

Yiv açma ucu

► Şek.22

Birim:mm

D	A	L1	L2	L3	θ
6	23	46	11	6	30°
6	20	50	13	5	45°
6	20	49	14	2	60°

Çukur köşebent ucu

► Şek.23

Birim:mm

D	A	L1	L2	R
6	20	43	8	4
6	25	48	13	8

Rulmanlı havşa ucu

► Şek.24

Birim:mm

D	A	L1	L2
6	10	50	20
1/4"			

Rulmanlı köşe yuvarlama ucu

► Şek.25

Birim:mm

D	A1	A2	L1	L2	L3	R
6	15	8	37	7	3,5	3
6	21	8	40	10	3,5	6
1/4"	21	8	40	10	3,5	6

Rulmanlı yiv açma ucu

► Şek.26

Birim:mm

D	A1	A2	L1	L2	θ
6	26	8	42	12	45°
1/4"					
6	20	8	41	11	60°

Rulmanlı köşebent ucu

► Şek.27

Birim:mm

D	A1	A2	A3	L1	L2	L3	R
6	20	12	8	40	10	5,5	4
6	26	12	8	42	12	4,5	7

Rulmanlı çukur köşebent ucu

► Şek.28

Birim:mm

D	A1	A2	A3	A4	L1	L2	L3	R
6	20	18	12	8	40	10	5,5	3
6	26	22	12	8	42	12	5	5

Rulmanlı romen deveboynu uç

► Şek.29

Birim:mm

D	A1	A2	L1	L2	L3	R1	R2
6	20	8	40	10	4,5	2,5	4,5
6	26	8	42	12	4,5	3	6

Makita Europe N.V. Jan-Baptist Vinkstraat 2,
3070 Kortenberg, Belgium

Makita Corporation 3-11-8, Sumiyoshi-cho,
Anjo, Aichi 446-8502 Japan

www.makita.com

885486B994 EN, FR, DE, IT, NL, ES, PT, DA, EL, TR 20210510
