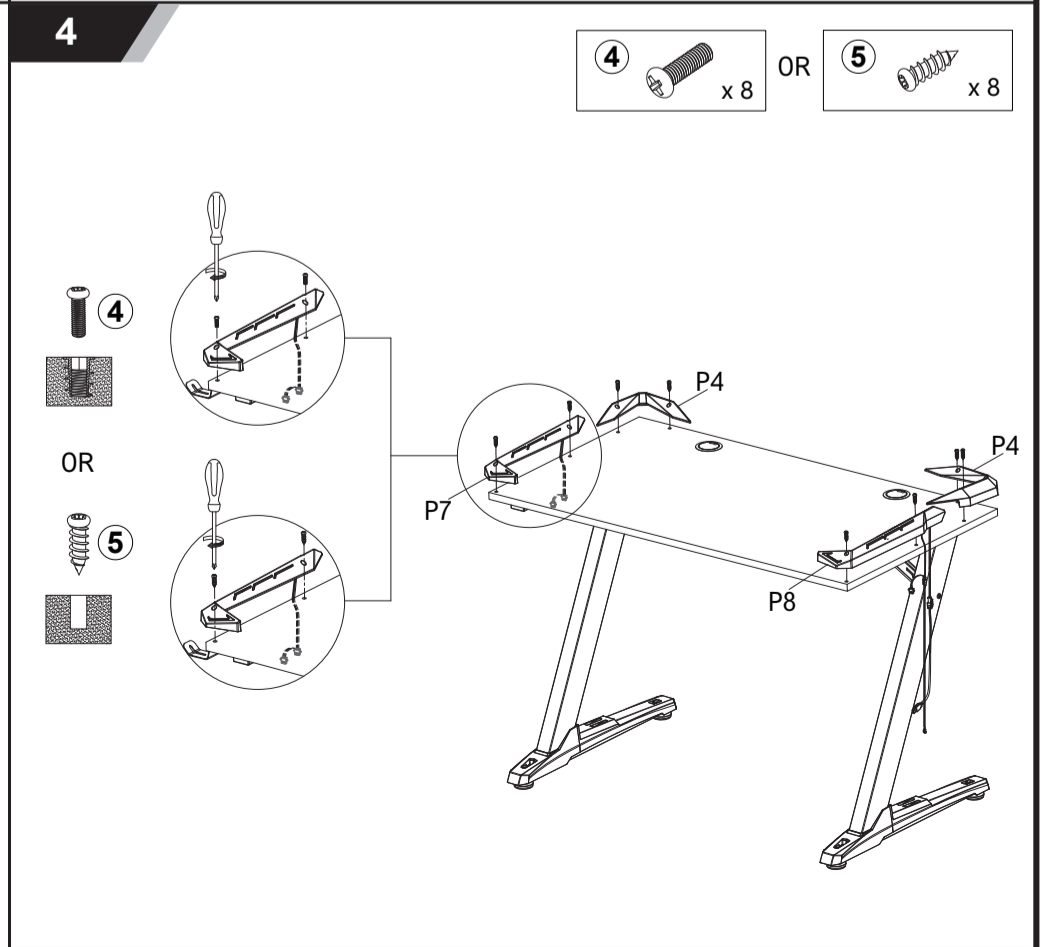
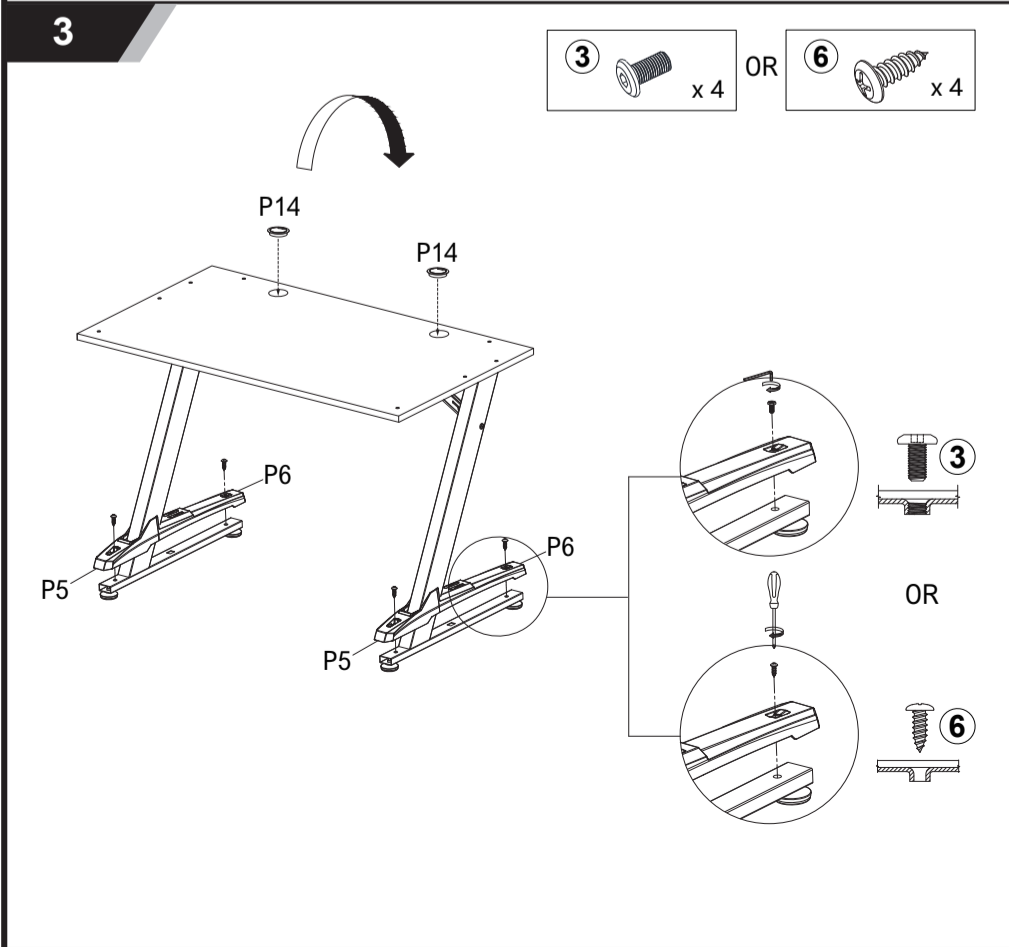
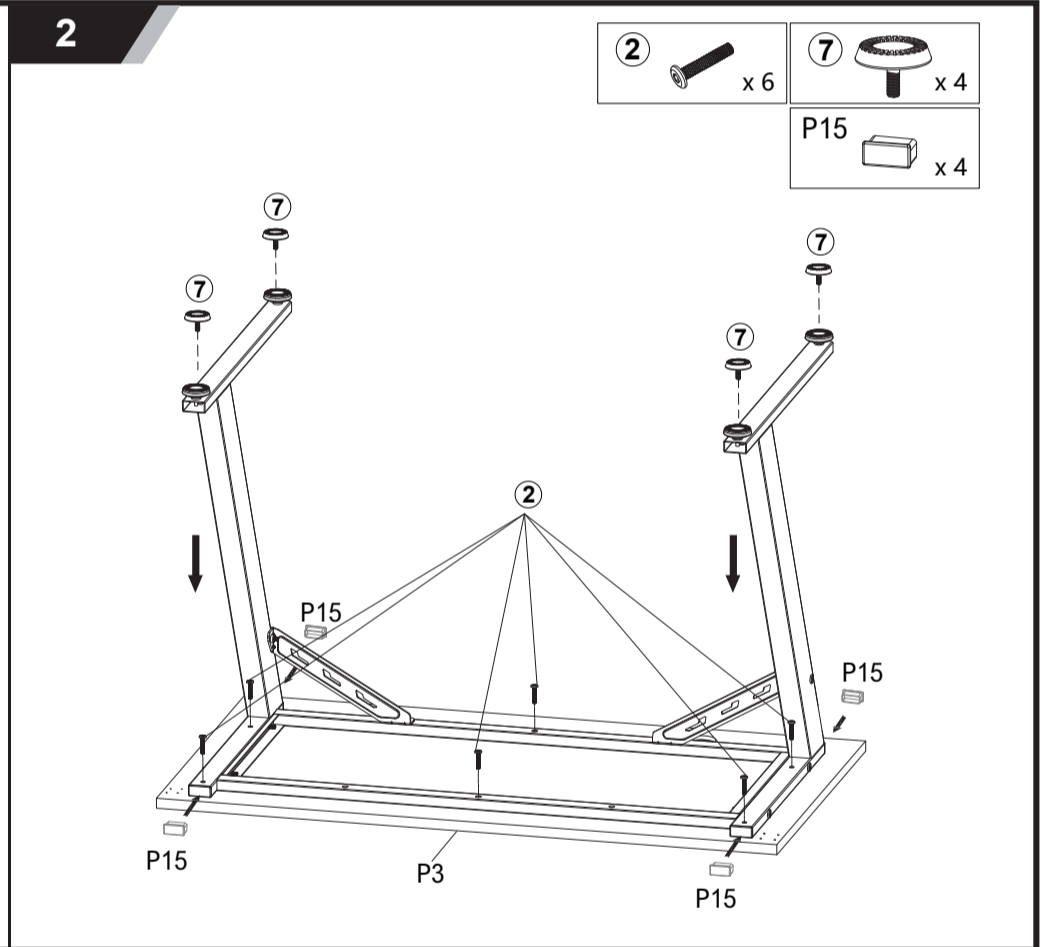
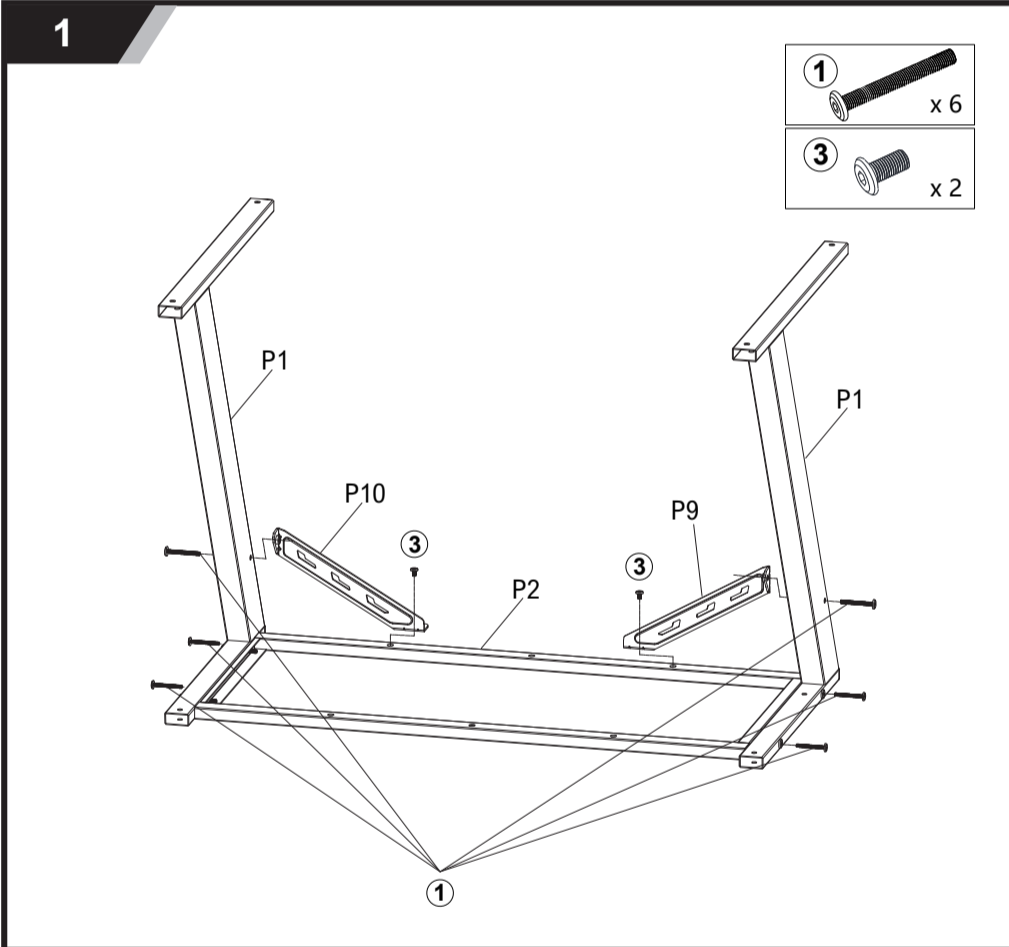


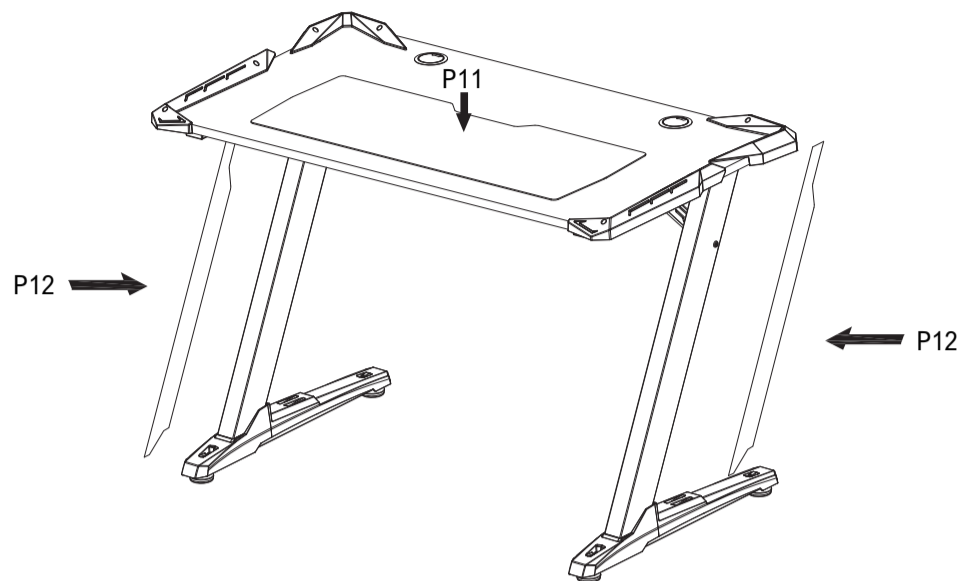
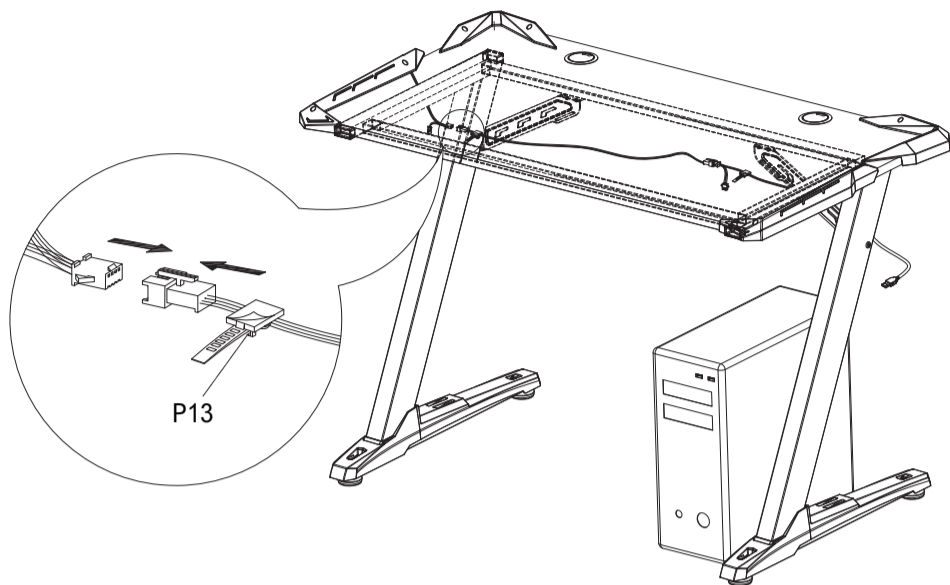
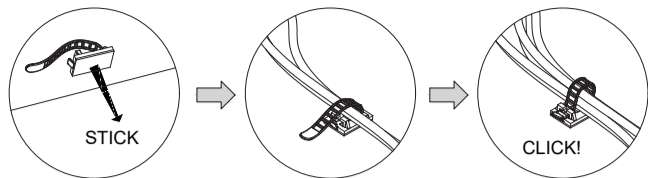
Caution: This instructions book is written for universal use and subject to specification variance of actual parts.

Z1S-V3

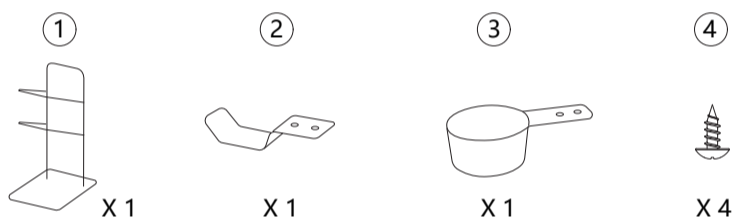
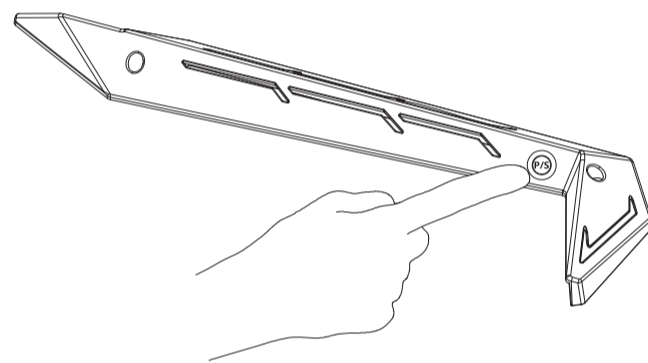
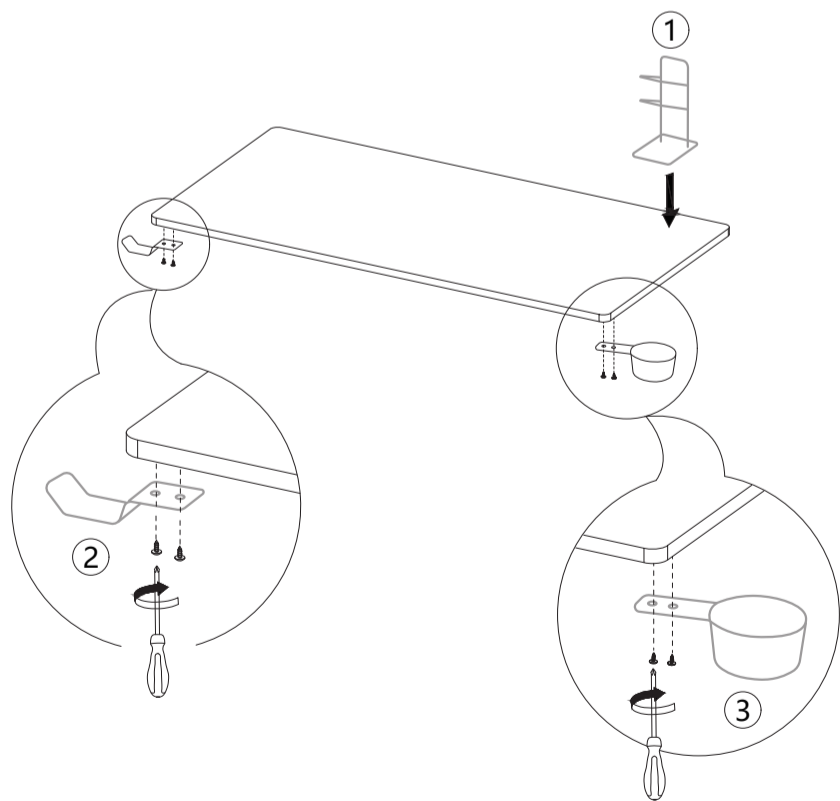
COMPONENT

①	②	③	④	⑤	⑥	⑦	⑧	⑨
X6	X6	X6	X8	X8	X4	X4	X1	X1
P1	P2	P3	P4					
X2	X1	X1	X2					
P5	P6	P7	P8					
X2	X2	X1	X1					
P9	P10	P11	P12					
X1	X1	(Mousepad) X1	(Stickers) X1					
P13	P14	P15						
X4	X2	X4						



P13  x 4

## ACCESSORY

④  X 4

## MAIN TECHNICAL PARAMETERS

Parameters	Min	Normal	Max	Test Condition	Unit
Rated voltage(DC)	4.45	5	5.20		V
Rated power		1.50			W
Maximum power		1.65			W
Maximum current		330			mA
Environment temperature	-20		60		°C

## FUNCTION

1. Changing Lighting Modes: Make sure the desk light is on, then press the right button "⊗" to change modes. There are total 8 lighting modes.
2. Switching On/Off Lights: Press the button "⊗" for 3 seconds then the light will be off. If want to switch on the light, just repeat the operation.

## TROUBLE SHOOTING

1. When the light flashes unexpectedly, please try to reboot it (turn it off and then on). If a reboot doesn't work, please check if the adapter work normally.
2. If the light isn't on, please check if the power is on, or all the cables are connected correctly and tightly.

## CONTACT US

1. Tel: 844-416-2090
2. Website: [www.eurekaergonomic.com](http://www.eurekaergonomic.com)
3. E-mail: [customerservice@eurekaergonomic.com](mailto:customerservice@eurekaergonomic.com)

## 主要技术参数

参数	最小	典型	最大	测试条件	单位
额定电压DC	4.45	5	5.20		V
额定功率		1.50			W
最大功率		1.65			W
最大电流		330			mA
环境温度	-20		60		°C

## 功能

1. 按键切换模式功能: 桌子通电后, 按控制盒 "⊗" 按键进行模式切换, 每按一次灯带会进入一次不同的灯光模式, 共8种模式。
2. 关闭灯光功能: 开机后, 长按控制盒 "⊗" 大概3秒, 可以把灯光关闭。灯光关闭后, 再次长按控制盒 "⊗" 大概3秒可以打开灯光。

## 故障及排除

1. 灯光异常闪烁, 重启之后仍然存在, 请检查适配器是否正常工作;
2. 通电正常开机后, 灯光不亮, 请检查灯条线是否有插, 或者有漏插等。

## 联系我们

咨询电话: 18144956470  
 官方网址: [www.designa.cn](http://www.designa.cn)  
 在线客服: 请登录京东商城搜索易瑞康、赛途官方旗舰店