

A × 14



B × 14



C × 32



D × 18

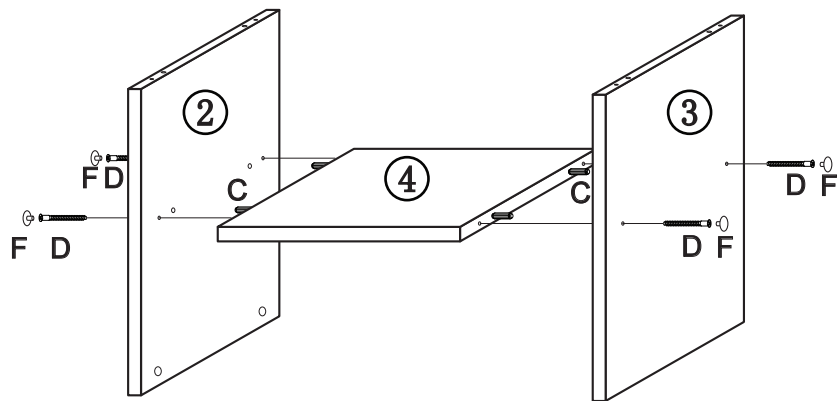
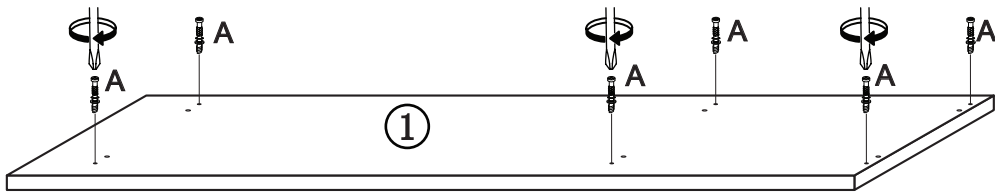


E × 6

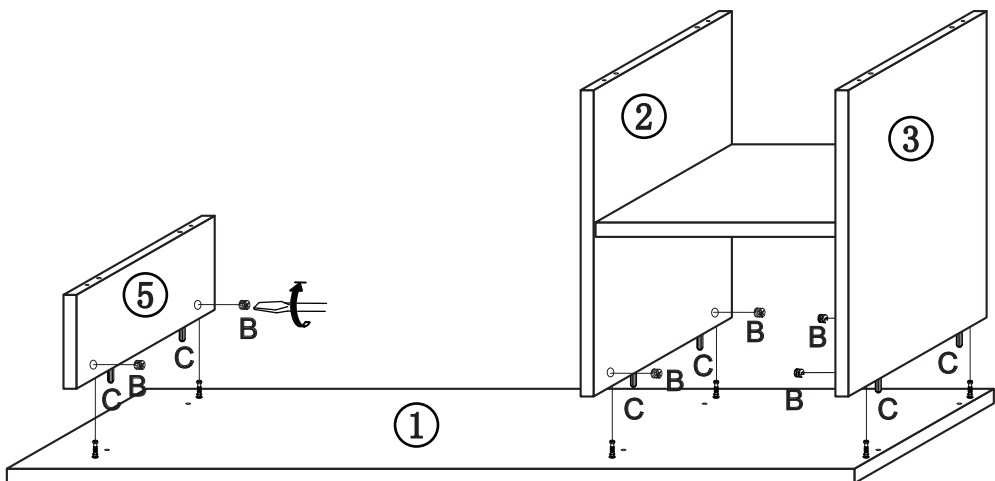


F × 4

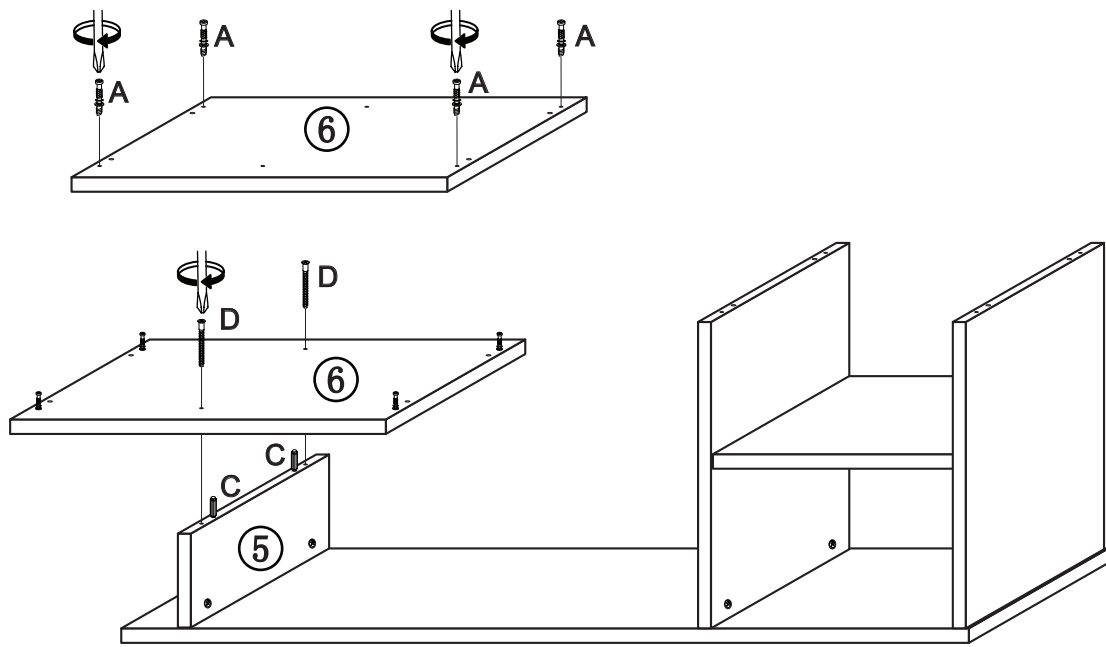
1



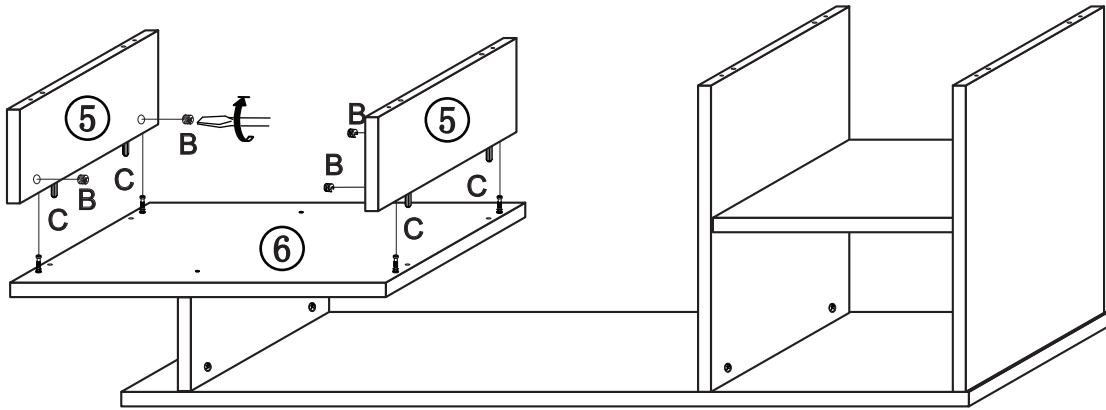
2



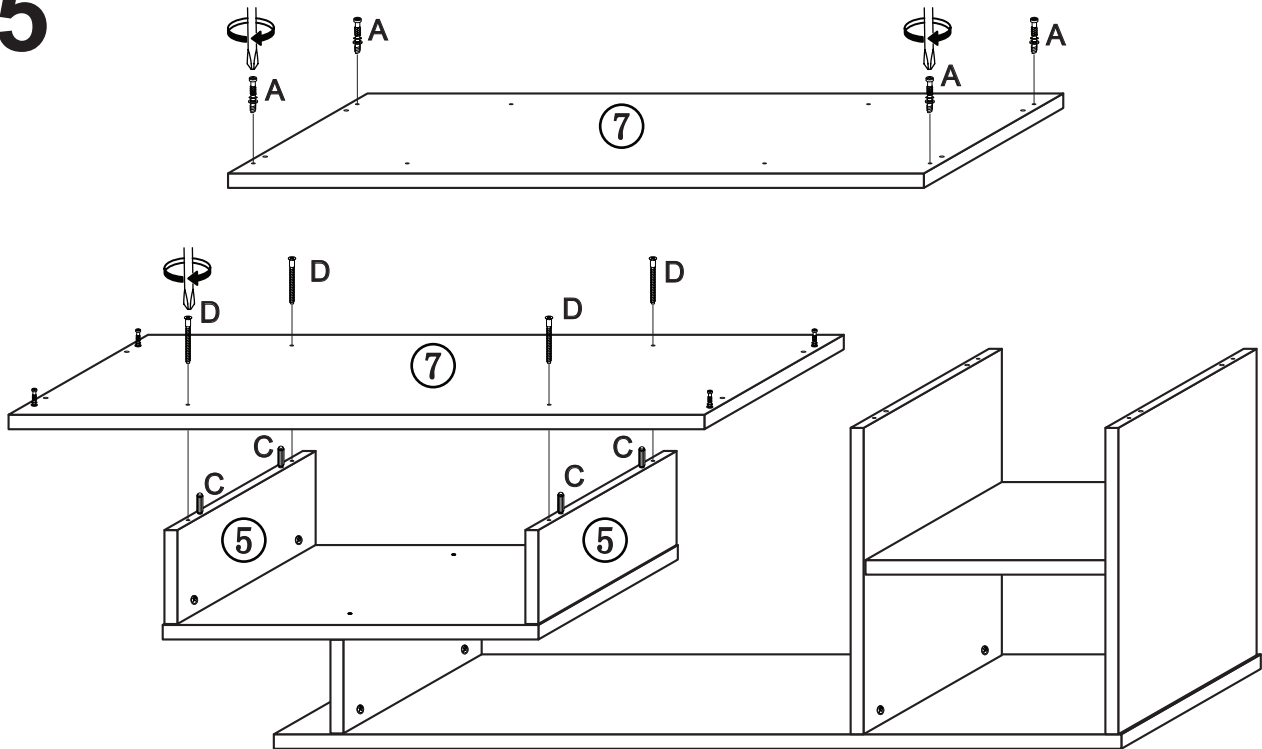
3



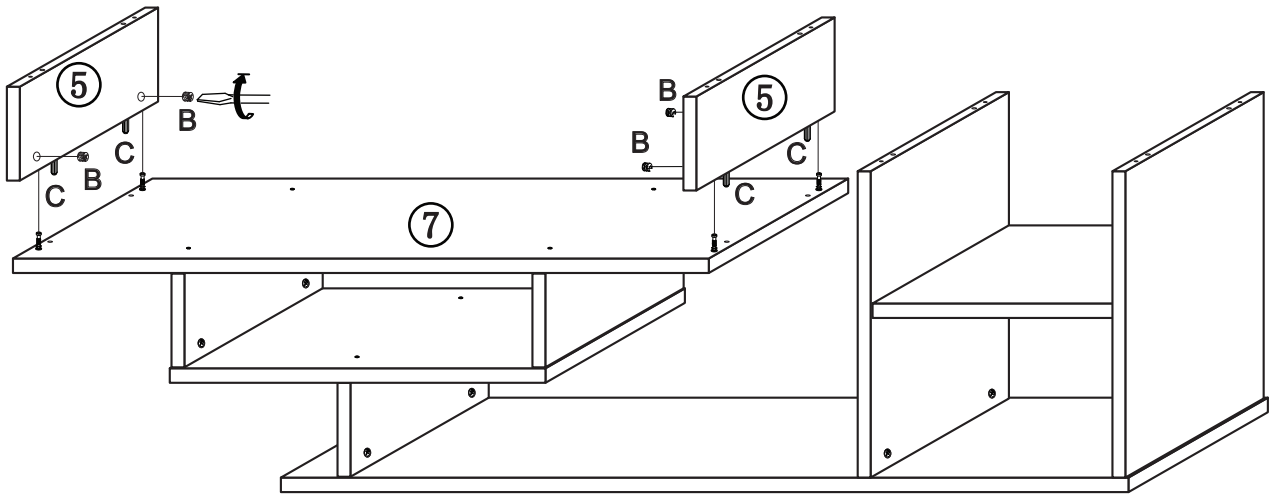
4



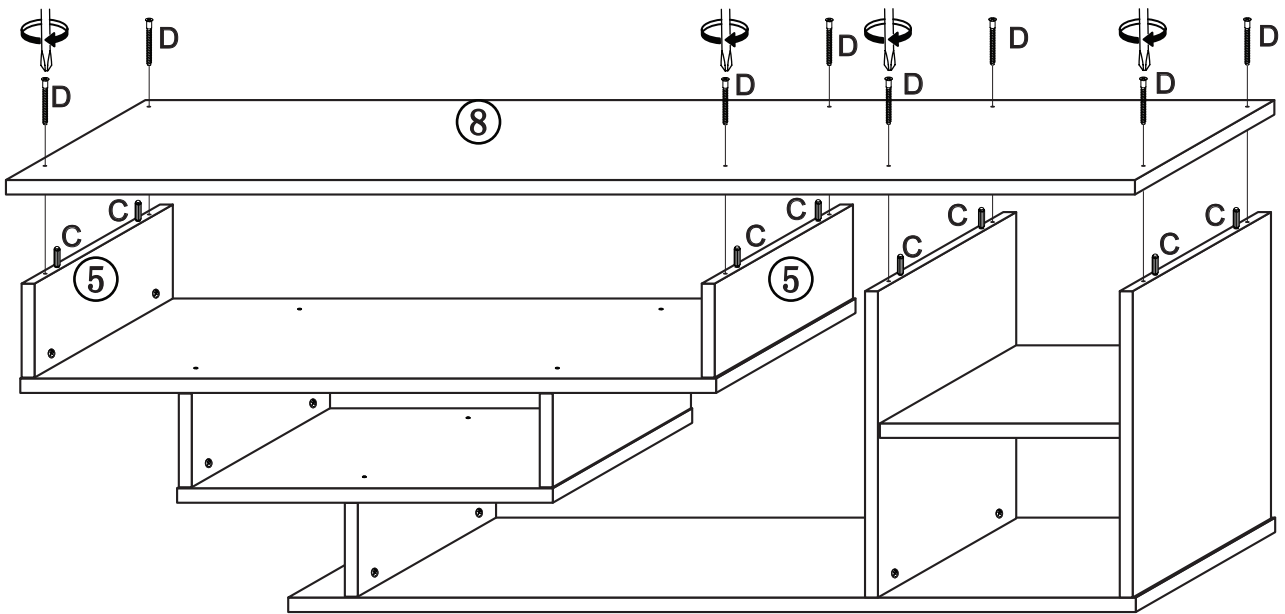
5



6



7



8

