

# OWNER'S MANUAL

## Alloy

**Please write model number here for future reference:**  
  
7876435  
LED Module#: SMJD-3V16W2P3

**Net Weight: 5.20 KGS**

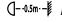
**240V~50Hz**



## SAFETY TIPS

### READ AND SAVE THESE INSTRUCTIONS

WARNING: TO REDUCE THE RISK OF FIRE, ELECTRIC SHOCK,  
OR INJURY TO PERSONS, OBSERVE THE FOLLOWING:

1. Proceed with caution. Read all instructions before beginning the installation.
2. Only an authorized electrician should execute the installation.
3. The installation height, i.e. the distance between the blades and the floor, should be at least 2.3 m.
4.  Always maintain the distance between the lamp and inflammable materials (curtains, wall, etc.), as indicated on the pictogram.
5. Make sure the fan is securely fastened at the ceiling.
6. WARNING! Do not use a dimmer type switch to control the fan speed.
7. WARNING! To prevent injuries, make sure the blades are not bent and that there are no objects with in the area of rotation.
8. WARNING! Due to European safety regulations, if the flush mount option is elected, the fan must not be re-installed utilizing the downrod. If attempted, this may cause a serious injury. When assembling the fan, please follow your local safety regulations.
9. WARNING: Do Not use this fan in the same room at the same time as a gas or fuel burning fire, unless the flue has been tested under these conditions of use by a competent person.
10. This appliance can be used by children aged from 8 years and above and persons with reduced physical, sensory or mental capabilities or lack of experience and knowledge if they have been given supervision or instruction concerning use of the appliance in a safe way and understand the hazards involved. Children shall not play with the appliance. Cleaning and user maintenance shall not be made by children without supervision.
11. Suitable for use indoors.
12. Before disassembling light kit, make sure the power supply is disconnected from the main supply. Power supply can be on only after installation is completed.
13. The lampshade should not be removed from the light bulb when the power supply is on.
14. Replacement of light bulb is only possible when the light kit has cooled down, and the power supply is disconnected from the main supply.
15. Make sure the lampshade is in the fixed position when operating the product.
16. Means for all poles disconnection having a contact separation that provide full disconnection under over voltage category III conditions must be incorporated in the fixed wiring in accordance with national wiring rules.
17. IP20 The fan is designed for indoor use. It is not designed for installation in a bathroom or any damp area. Please ensure that the lamp does not come into contact with water.
18. WARNING: If unusual oscillating movement is observed, immediately stop using the ceiling fan and contact the manufacturer, its service agent or suitably qualified persons.
19. The replacement of parts of the safety suspension system device shall be performed by the manufacturer, its service agent or suitably qualified persons.
20. The fixing means for attachment to the ceiling can be fixed with a sufficient strength to withstand 4 times the weight of the ceiling fan.
21. The light source contained in this luminaire shall only be replaced by the manufacturer or his service agent or a similar qualified person.

#### TOOLS REQUIRED

Phillips Screwdriver

Wire Cutters

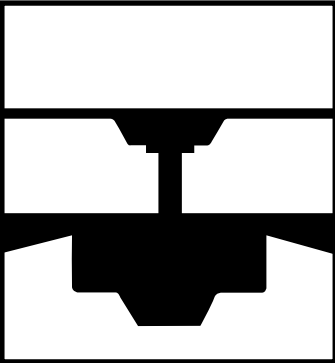
Pliers

Step Ladder

# FEATURES

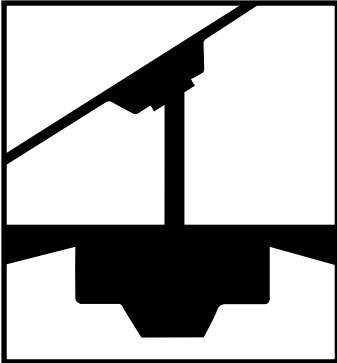
---

DOWNROD  
INSTALLATION

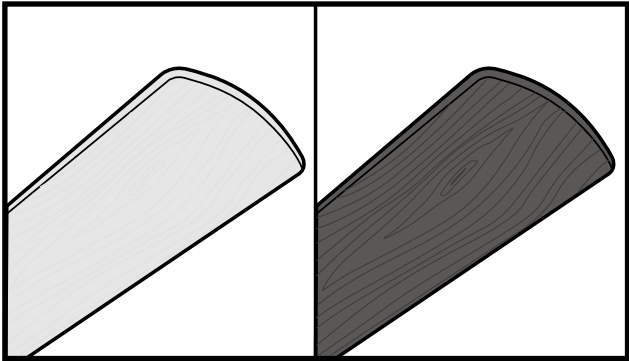


For normal ceilings

VAULTED CEILING  
INSTALLATION



May require a longer downrod  
(sold separately)



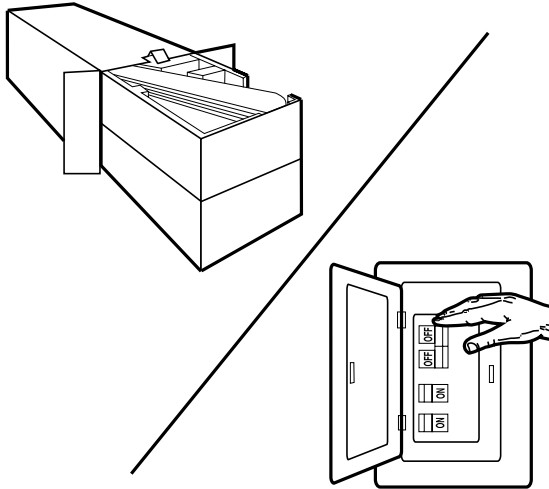
### COMBO-BLADE

Combo-Blades feature two high quality finishes on one blade. Select the one that best complements your decor, or change the style with just a flip of the blade.

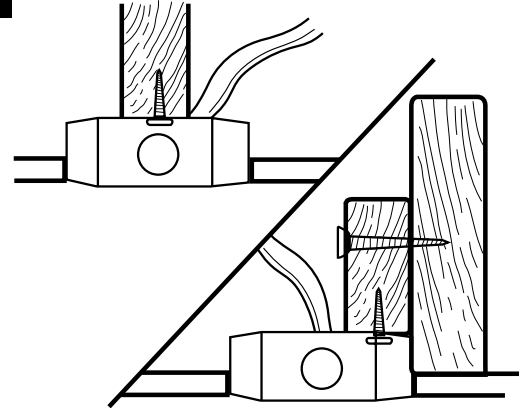
NOTE: Combo-Blade finishes vary, depending upon model.

## PREPARING FOR INSTALLATION

---

**1**

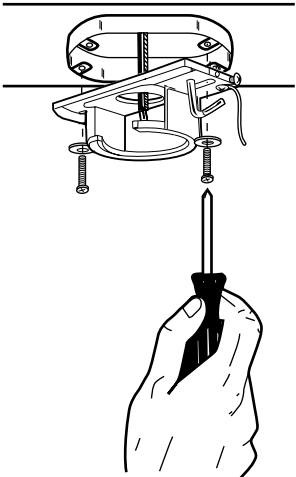
Unpack and inspect fan carefully to be certain all contents are included. Turn off power at fuse box to avoid possible electrical shock.

**2**

Use metal outlet box suitable for fan support (must support 35 lbs). Before attaching fan to outlet box, ensure the outlet box is securely fastened by at least two points to a structural ceiling member (a loose box will cause the fan to wobble).

# MOUNTING BRACKET INSTALLATION

**3**

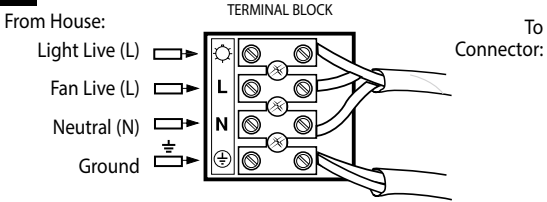


Install mounting bracket to outlet box in ceiling using the screws and washers provided with the outlet box.

# WIRING OPTIONS

**4**

**Wiring:**



From House:

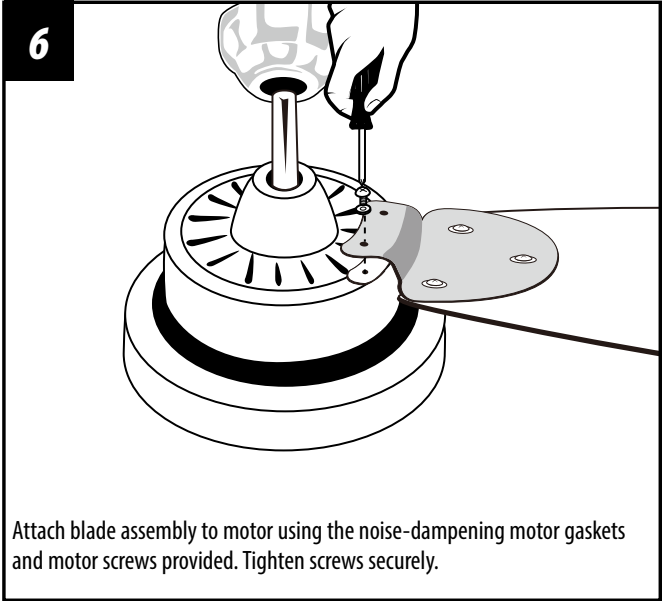
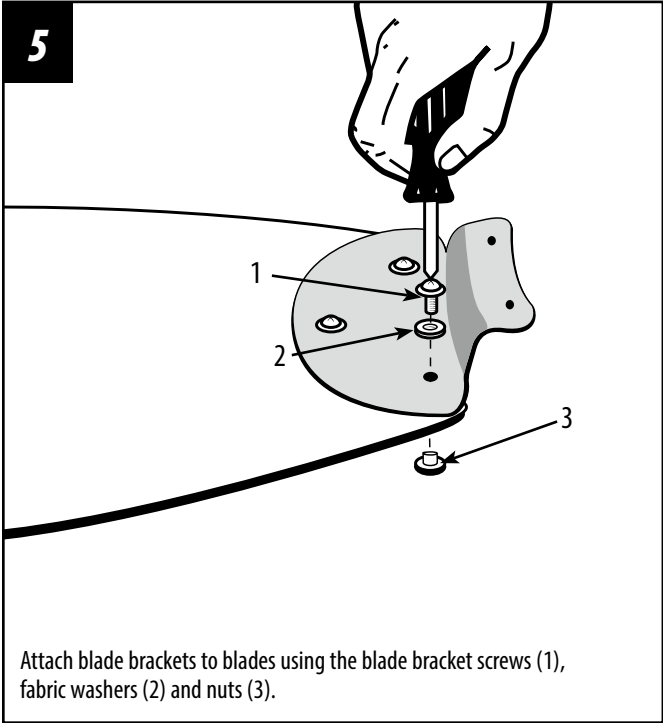
- Light Live (L)
- Fan Live (L)
- Neutral (N)
- Ground

TERMINAL BLOCK

To Connector:

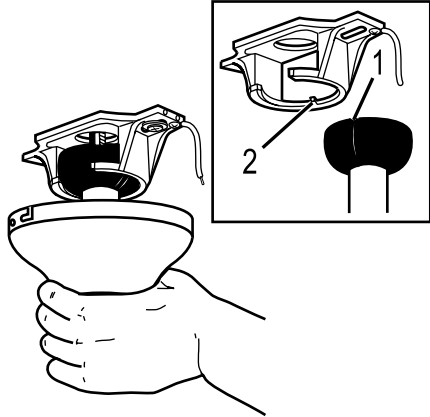
Follow diagram above to make wiring connections to the terminal block on the mounting bracket.

# BLADE INSTALLATION



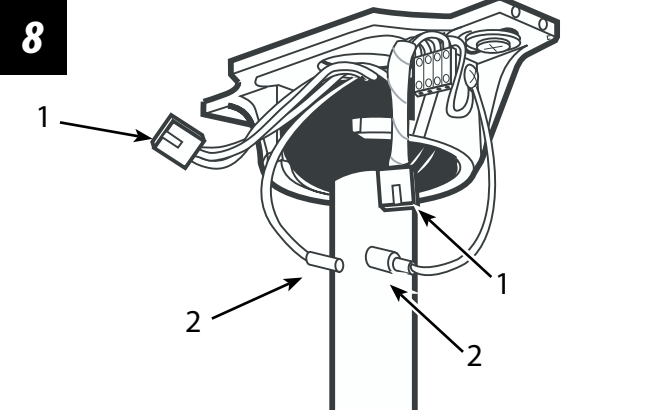
# MOUNTING

**7**



Carefully lift fan assembly onto mounting bracket. Rotate fan until notch on downrod ball (1) engages the ridge on the mounting bracket (2). This will allow for hands free wiring.

**8**



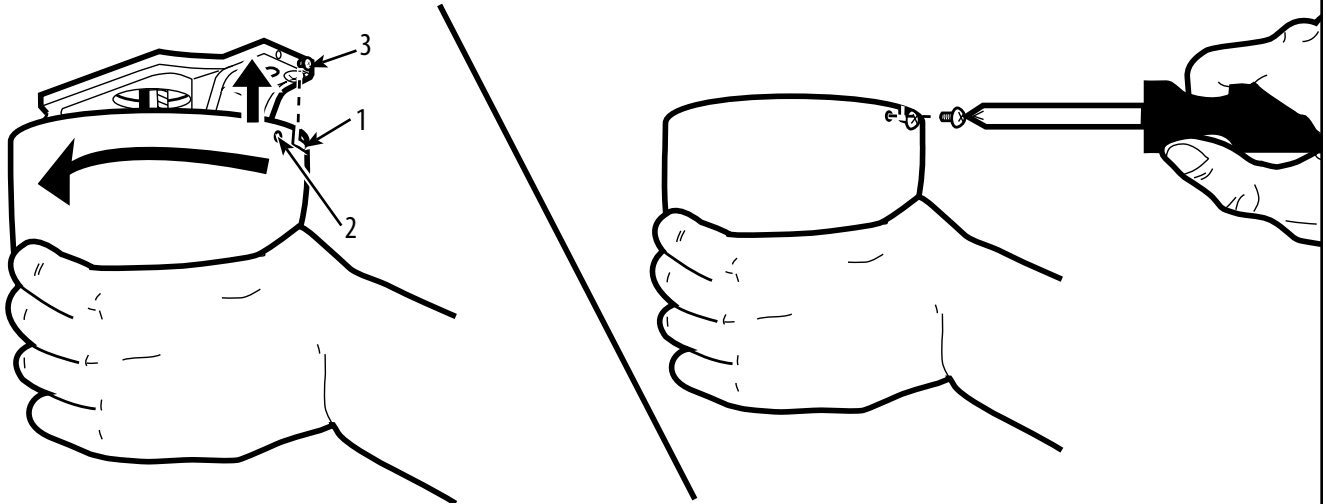
With bracket holding fan assembly, attach the male/female plug connection (1) from the fan to the terminal block. Attach the ground wire (2) from the downrod to the mounting bracket.



## SECURE TO CEILING

9

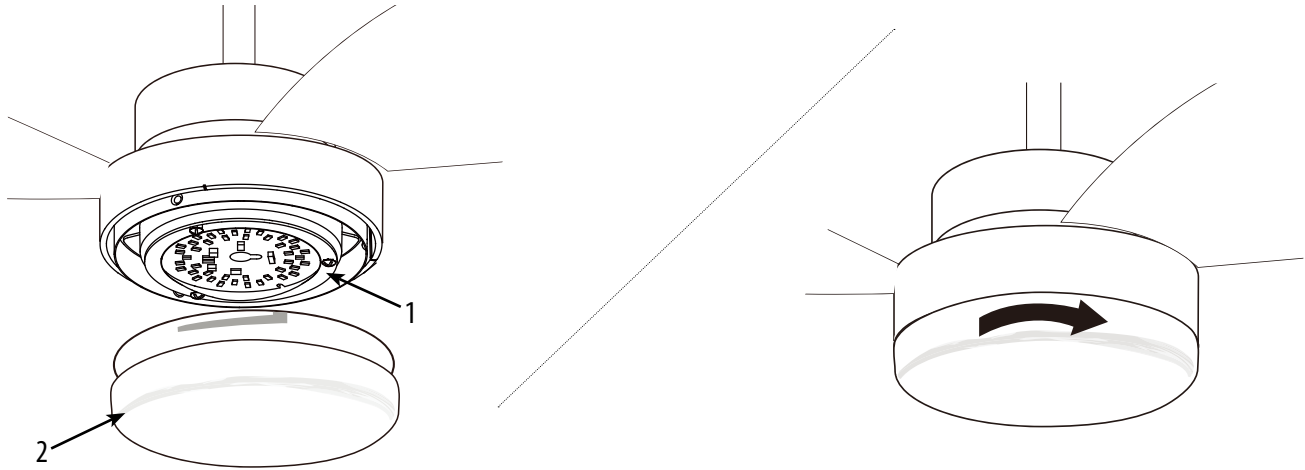
*For downrod fans, slide the canopy up to the mounting bracket.*



The canopy has two mating slots (1) and two mating holes (2). Position both slots on canopy directly under and in line with two screws in the mounting bracket (3). Lift the canopy, allowing the two screws to slide into the mating slots. Rotate the canopy until both screws from the mounting bracket drop into the slot recesses. Tighten screws securely. Install two screws into the mating holes of the canopy and tighten to secure the canopy to the mounting bracket.

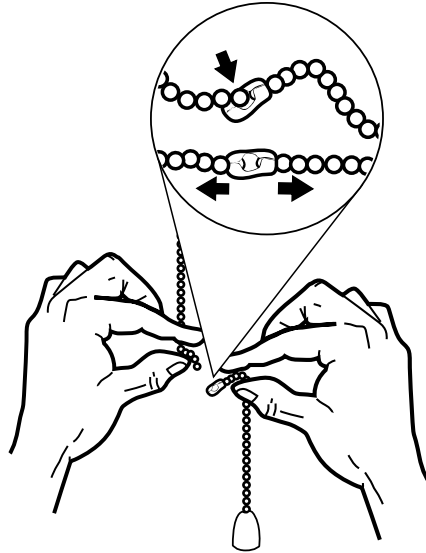
## GLASS INSTALLATION

---

**10**

Locate the indentations on the neck of the glass (2) and align with the protrusions from the light kit (1). Lift the glass up allowing the protrusions to engage the indentations on the glass, and twist the glass clockwise to lock into place.

11



Assemble decorative fob and extension chains from hardware bag to fan pull chains by inserting end of chain into chain coupling. Confirm chains are held by lightly pulling both chains in coupling.

# OPERATION AND MAINTENANCE

---

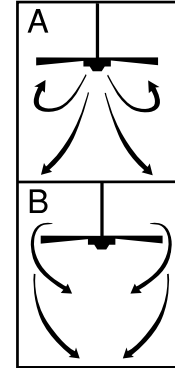
## Operation

Turn on the power and check operation of fan. The pull chain controls the fan speeds as follows: 1 pull - low; 2 pulls - medium; 3 pulls - high; 4 pulls - off. Speed settings for warm or cool weather depend on factors such as room size, ceiling height, number of fans and so on. The slide switch controls direction, forward or reverse.

Warm weather/down position - (Forward) Fan turns counterclockwise direction. A downward air flow creates a cooling effect as shown in illustration A. This allows you to set your air conditioner on a higher temperature setting without affecting your comfort.

Cool weather/up position - (Reverse) Fan turns clockwise direction. An upward airflow moves warm air off the ceiling area as shown in illustration B. This allows you to set your heating unit on a lower setting without affecting your comfort. (Please however refer to point 10 in Safety Tips when operating in this position.)

NOTE: Turn off and wait for fan to stop before changing the setting of the forward/reverse slide switch.



## Maintenance

1. Because of the fan's natural movement, some connections may become loose. Check the support connections, brackets, and blade attachments twice a year. Make sure they are secure.
2. Clean your fan periodically to help maintain its new appearance over the years. Do not use water when cleaning. This could damage the motor, or the wood, or possibly cause electrical shock.
3. Use only a soft brush or lint-free cloth to avoid scratching the finish. The plating is sealed with a lacquer coating to minimize discoloration or tarnishing.
4. There is no need to oil your fan. The motor has permanently lubricated bearings.

# TROUBLESHOOTING GUIDE

If you have difficulty operating your new ceiling fan, it may be the result of incorrect assembly, installation, or wiring. In some cases, these installation errors may be mistaken for defects. If you experience any faults, please check this Troubleshooting chart. If a problem cannot be remedied, please consult with your authorized electrician and do not attempt any electrical repairs yourself.

TROUBLE	SUGGESTED REMEDY
1. If fan does not start:	<ol style="list-style-type: none"> <li>1. Check main and branch circuit fuses or circuit breakers.</li> <li>2. Check wire connections as performed in step #4 of installation. <b>CAUTION:</b> Make sure main power is turned off.</li> <li>3. Make sure forward/reverse switch is firmly in up or down position. Fan will not operate when switch is in the middle.</li> <li>4. If the fan still will not start, contact a qualified electrician. Do not attempt to troubleshoot internal electrical connections yourself.</li> </ol>
2. If fan sounds noisy:	<ol style="list-style-type: none"> <li>1. Check to make sure all screws in motor housing are snug (not over tightened).</li> <li>2. Check to make sure the screws which attach the fan blade holder to the motor are tight.</li> <li>3. Some fan motors are sensitive to signals from Solid State variable speed controls. DO NOT USE a Solid State variable speed control.</li> <li>4. Allow "break-in" period of 24 hours. Most noises associated with a new fan will disappear after this period.</li> </ol>
3. If fan wobbles:	<p>All blades are weighed and grouped by weight. Natural woods vary in density which could cause the fan to wobble even though all blades are weight-matched. The following procedures should eliminate most of the wobble. Check for wobble after each step.</p> <ol style="list-style-type: none"> <li>1. Check that all blades are screwed firmly into blade holders.</li> <li>2. Check that all blade holders are tightened securely to motor.</li> <li>3. Make sure that canopy and mounting bracket are tightened securely to ceiling joist.</li> <li>4. If blade wobble is still noticeable, interchanging two adjacent (side by side) blades can redistribute the weight and possibly result in smoother operation.</li> </ol>
4. If light does not work:	<ol style="list-style-type: none"> <li>1. Check to see that the wire connections in the switch housing are connected.</li> <li>2. Check for faulty light bulbs.</li> <li>3. If light kit will still not operate, contact a qualified electrician for assistance.</li> </ol>

**PARTS LIST**


#	Description
1	Mounting Bracket
2	Blade Bracket
3	Blade
4	Glass
5	Fan Speed Switch
6	Light Control Switch
7	Capacitor
8	Hardware Pack

The diagram shows a ceiling fan assembly with the following parts labeled:

- 1: Mounting Bracket (top of the fan)
- 2: Blade Bracket (where the blade is attached to the motor housing)
- 3: Blade (the long, curved part)
- 4: Glass (the protective cover over the motor housing)
- 5: Fan Speed Switch (a pull chain switch)
- 6: Light Control Switch (another pull chain switch)
- 7: Capacitor (a small rectangular component)
- 8: Hardware Pack (a box containing screws, nuts, and washers)



Westinghouse Lighting, Philadelphia, PA 19154-1029, U.S.A.  
[www.westinghouselighting.com](http://www.westinghouselighting.com)

 WESTINGHOUSE, and INNOVATION YOU CAN BE SURE OF  
are trademarks of Westinghouse Electric Corporation  
Used under license by Westinghouse Lighting  
All rights reserved.  
Made in China



AS/NZS Approval No.  
SAA-181731-EA